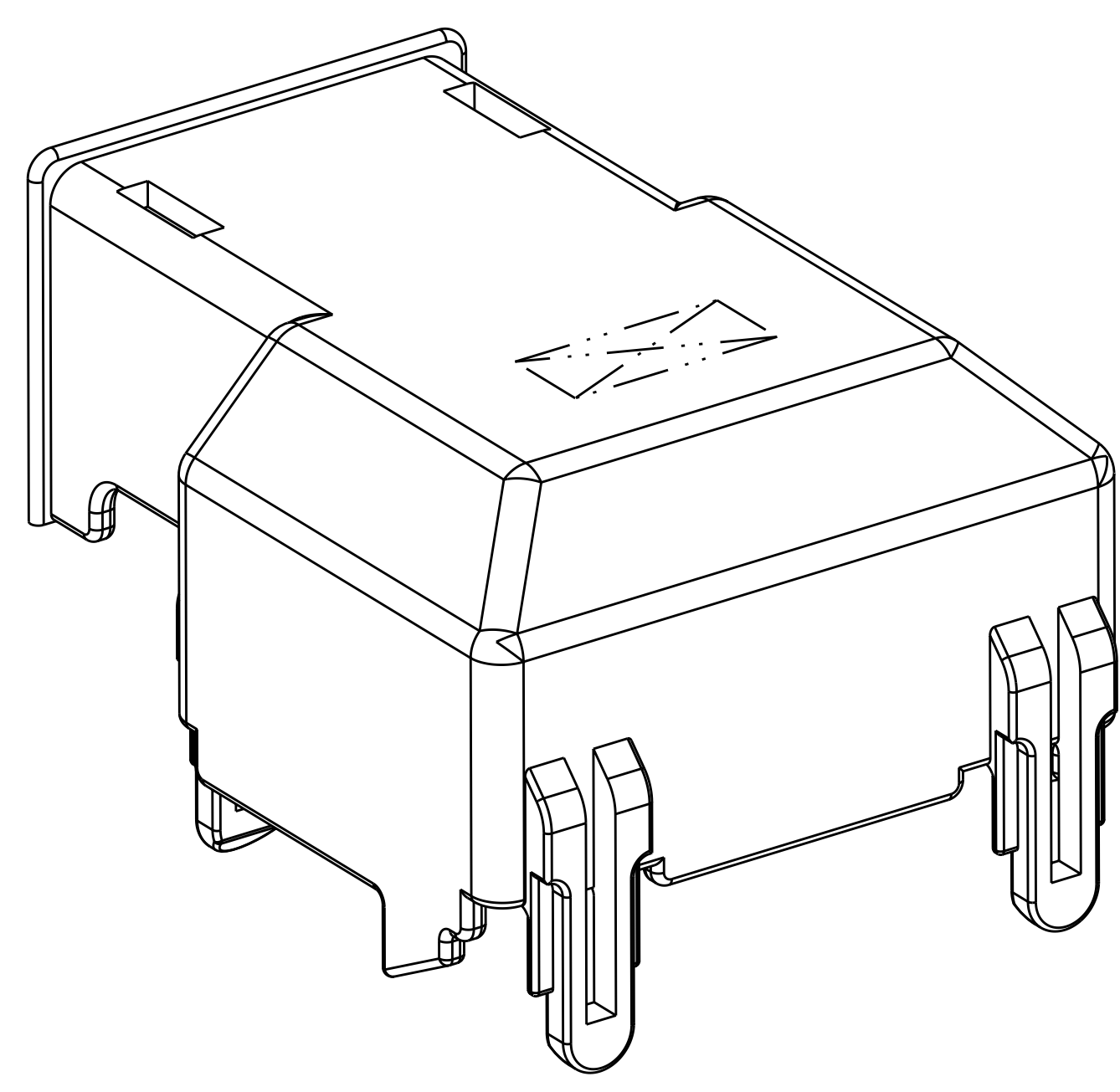
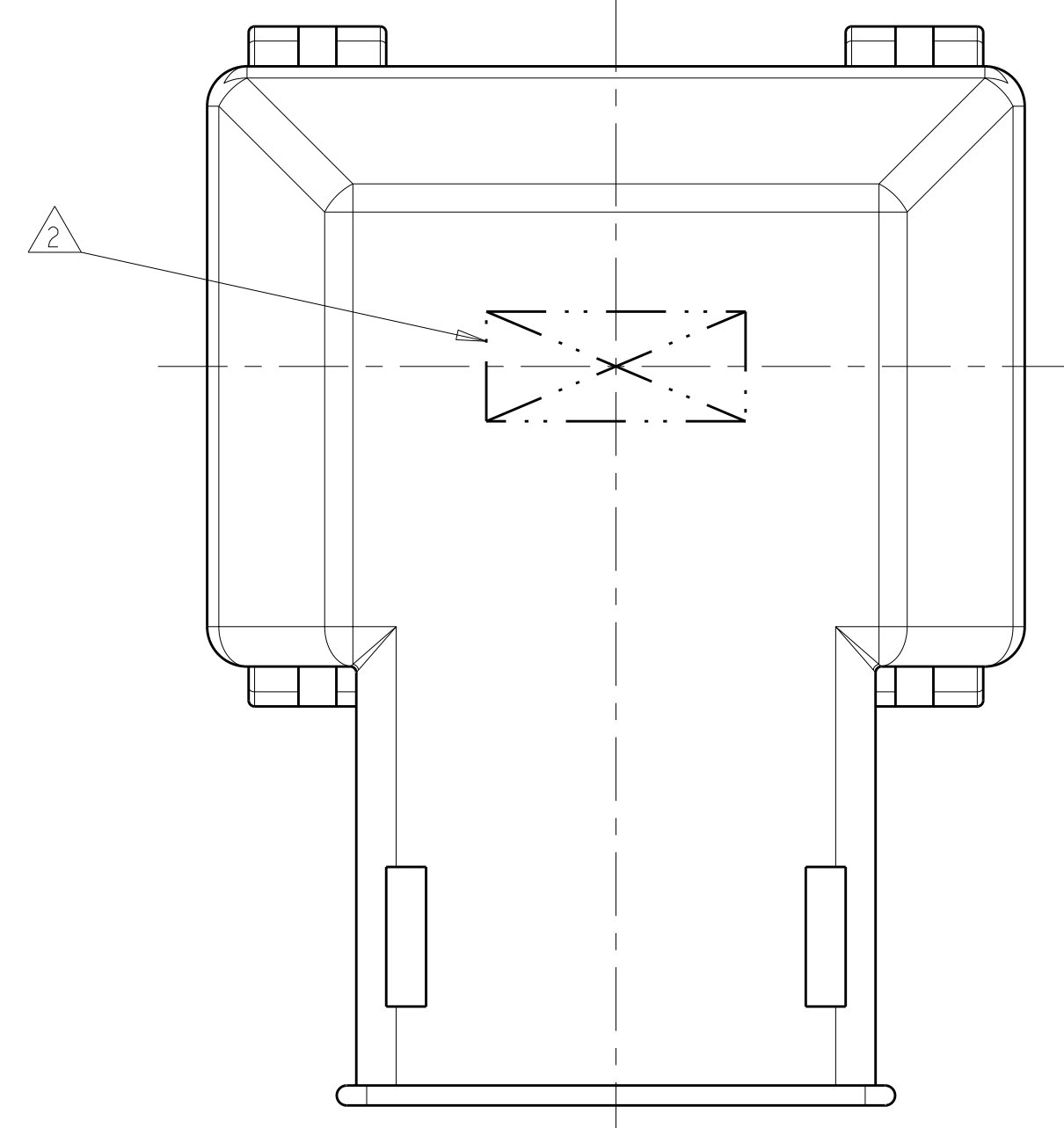
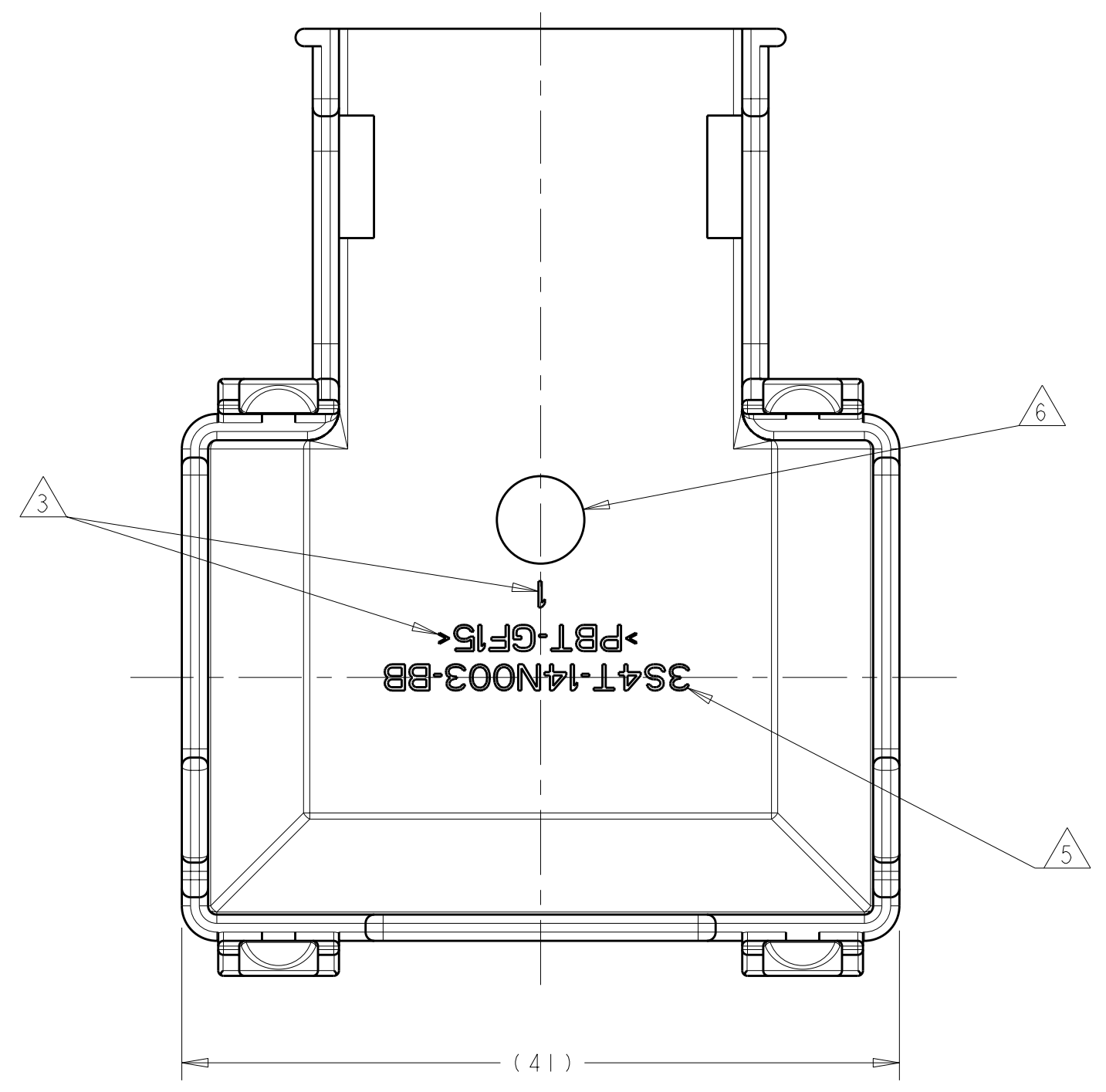
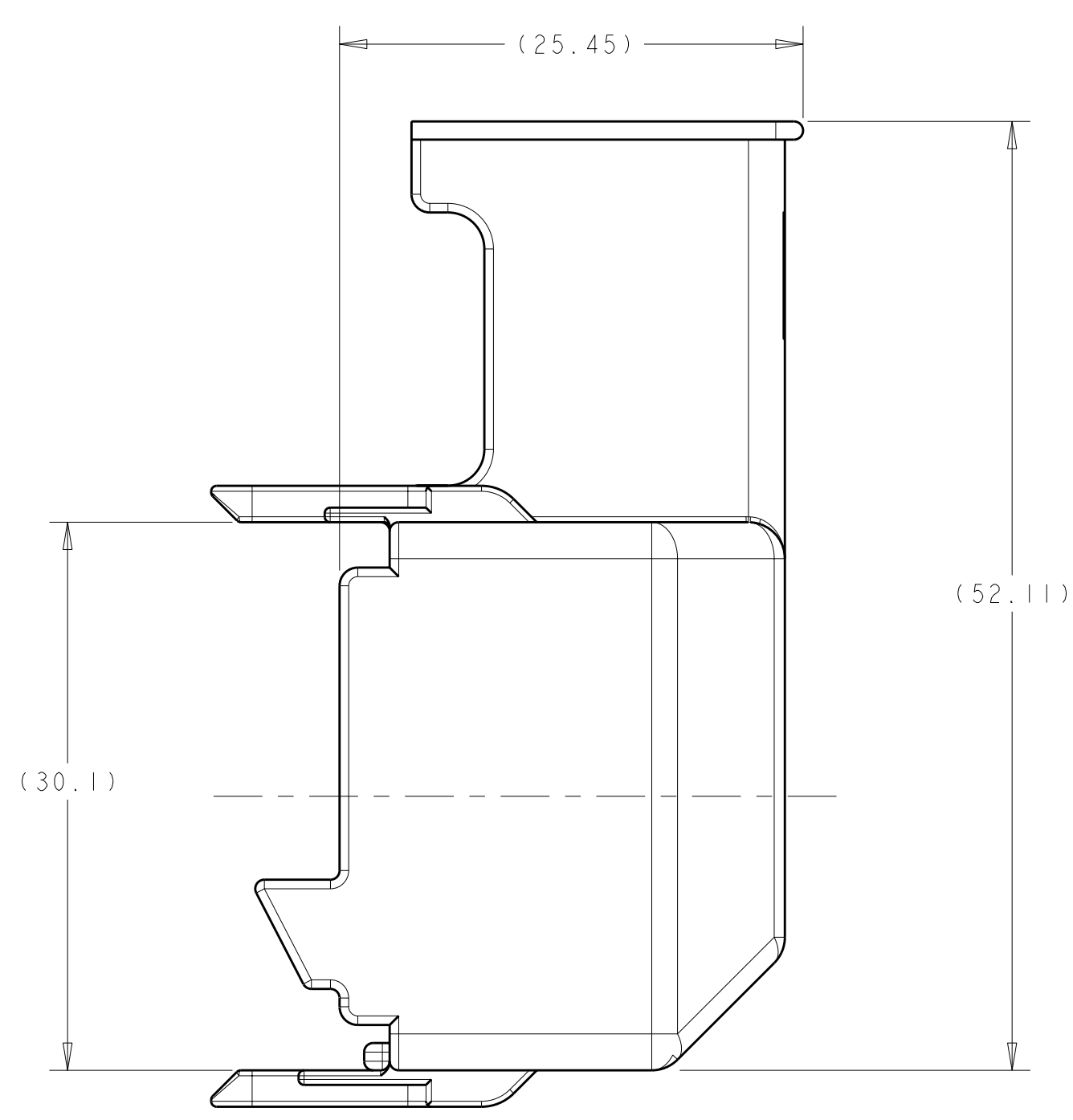
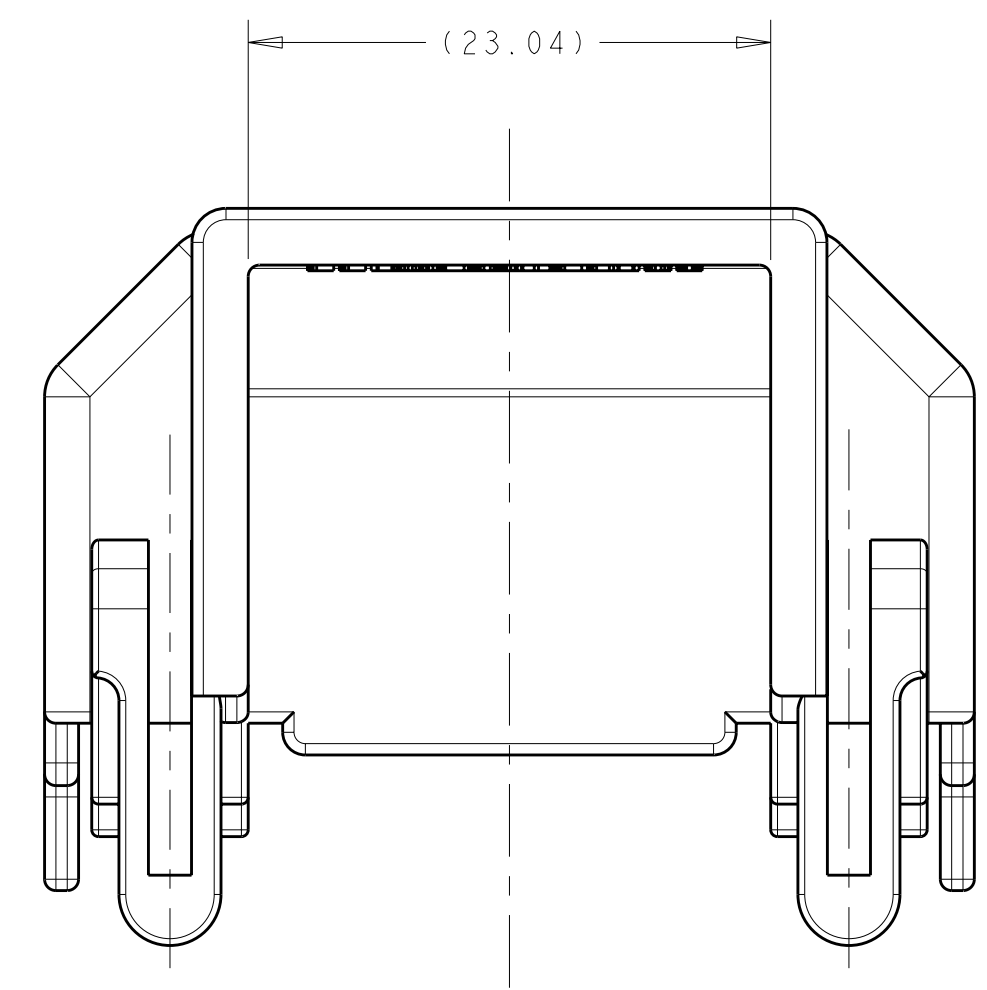


LOC	DIST	REVISIONS			
P	LTB	DESCRIPTION	DATE	DWN	APVD
A		RLSD PER D06-057	24MAR2006	RGV	TJV
A1		REV PER ECO-10-015982	10AUG2010	HM	DCM



- 1 MATERIAL: PBT-GF15
COLOR: BLACK
- 2 COMPANY LOGO LOCATED APPROXIMATELY AS SHOWN.
- 3 MOLD CAVITY I.D. & RECYCLING CODE >PBT-GF15< AS SHOWN.
- 4. 25% MAXIMUM REGRIND.
- 5 PART NUMBERS APPROXIMATELY AS SHOWN AS STATED IN PART NUMBER TABLE.
- 6 DATE CODE APPROXIMATELY AS SHOWN.



DIMENSIONS:		TOLERANCES UNLESS OTHERWISE SPECIFIED:		DWN R. VESTAL 24MAR2006		3S4T-14N003-BB		1438126-1	
mm	0 PLC ±	1 PLC ±0.3	2 PLC ±0.10	3 PLC ±	4 PLC ±	APVD T. VALASEK 24MAR2006	CUSTOMER PART NO. PART NUMBER		
MATERIAL: PBT-GF15		FINISH: -		PRODUCT SPEC: -		APPLICATION SPEC: -		Tyco Electronics Harrisburg, PA 17105-3608	
MATERIAL: PBT-GF15		FINISH: -		WEIGHT: -		CUSTOMER DRAWING		NAME: 50-WAY WIRE DRESSING	
SCALE: 3:1		SHEET: 1 OF 1		REV: A1		SIZE: A		CAGE CODE: 100779	
DRAWING NO: 1438126		RESTRICTED TO:		DATE CODE: -		PART NUMBER: 1438126-1		CUSTOMER PART NO.:	

Mouser Electronics

Authorized Distributor

Click to View Pricing, Inventory, Delivery & Lifecycle Information:

[TE Connectivity:](#)

[1438126-1](#)