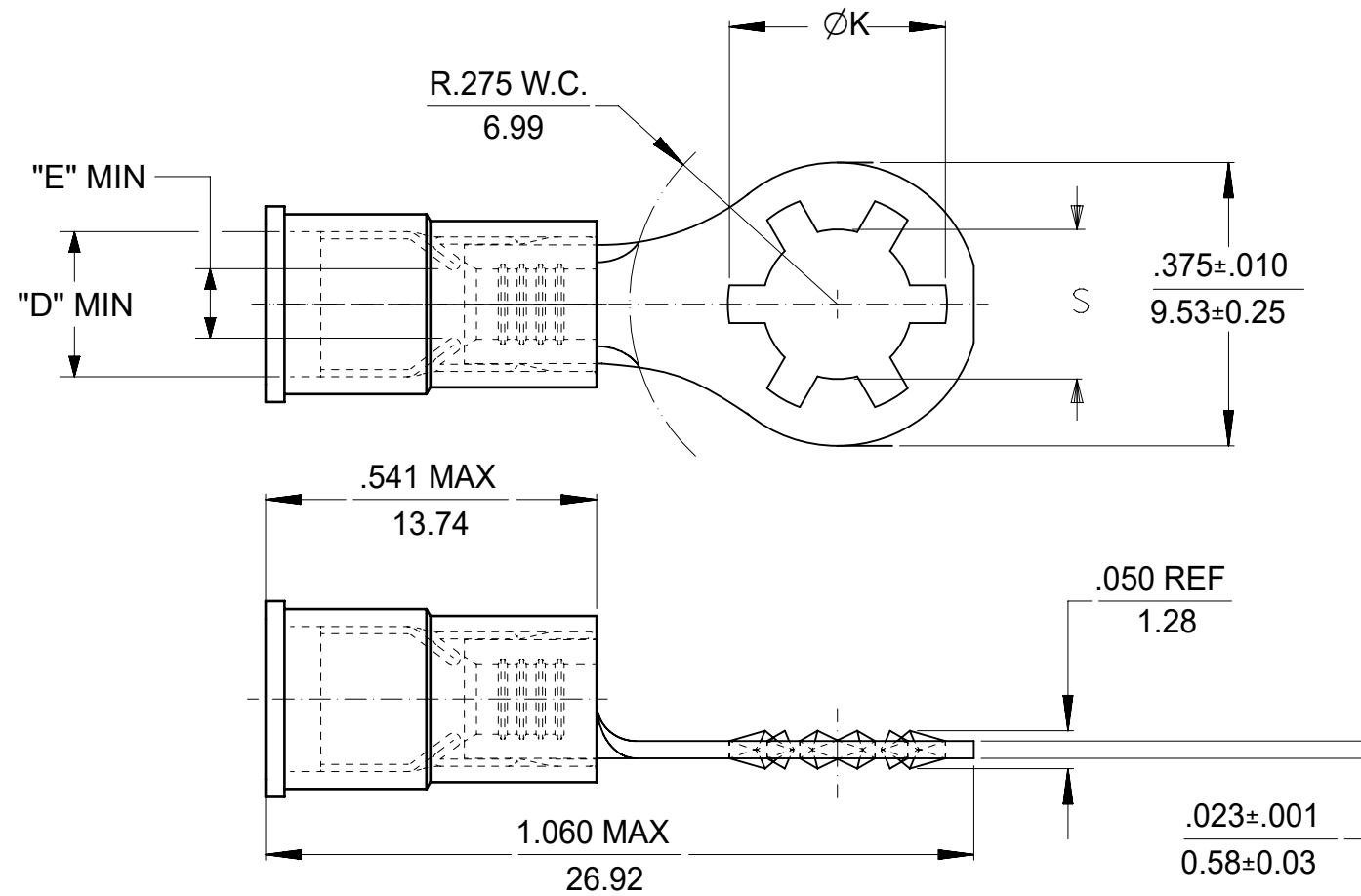


MATERIAL NO.	ENG NO.	HOUSING COLOR WIRE AWG	TERMINAL MAT'L	S ±.007/.178	K REF	"D" MIN	"E" MIN
190760001	SRA-529-06	RED	BRASS	.146/3.71	.236/5.99	.140 (3.56)	.054 (1.37)
190760003	SRA-529-08	22-18 AWG		.173/4.40	.263/6.68		
190760005	SRA-529-10	(0.38-0.96MM <sup>2</sup> )		.198/5.03	.288/7.32		
190760013	SRB-529-06	BLUE		.146/3.71	.236/5.99	.170 (4.32)	.084 (2.13)
190760015	SRB-529-08	16-14 AWG		.173/4.40	.263/6.68		
190760017	SRB-529-10	(1.23-1.94MM <sup>2</sup> )		.198/5.03	.288/7.32		
190760007	SRA-S-529-06	RED	STEEL	.146/3.71	.236/5.99	.140 (3.56)	.054 (1.37)
190760009	SRA-S-529-08	22-18 AWG		.173/4.40	.263/6.68		
190760011	SRA-S-529-10	(0.38-0.96MM <sup>2</sup> )		.198/5.03	.288/7.32		
190760019	SRB-S-529-06	BLUE		.146/3.71	.236/5.99	.170 (4.32)	.084 (2.13)
190760021	SRB-S-529-08	16-14 AWG		.173/4.40	.263/6.68		
190760023	SRB-S-529-10	(1.23-1.94MM <sup>2</sup> )		.198/5.03	.288/7.32		



- A1**
- NOTE(S):
- FINISH:  
TERMINAL: TIN-PLATED (BRASS OR STEEL)  
FERRULE: TIN-PLATED BRASS
  - MWID: MAXIMUM WIRE INSULATION DIAMETER.
  - ASSEMBLY IS RoHS COMPLIANT.

ORIGINAL DRAWING WAS SD-19076-001

FUNCTIONAL SYMBOLS	THIS DRAWING CONTAINS INFORMATION THAT IS PROPRIETARY TO MOLEX ELECTRONIC TECHNOLOGIES, LLC AND SHOULD NOT BE USED WITHOUT WRITTEN PERMISSION		CURRENT REV DESC: WAS DWG: SD-19076-001. UPDATE DWG & RMV BOM.		<b>molex</b>						
	DIMENSION UNITS	SCALE									
	$\frac{E}{A} = 0$	INCH/MM	4:1	EC NO: 672118 DRWN: DMYRICK 2021/07/30 CHK'D: JMACNEIL 2021/08/02 APPR: JMACNEIL 2021/08/02			STAR RING TERMINAL, AVIKRIMP				
	$\frac{E}{E} = 0$	GENERAL TOLERANCES (UNLESS SPECIFIED)									
$\frac{E}{D} = 0$			PRODUCT CUSTOMER DRAWING								
DIVISIONAL SYMBOLS	MM	INCH									
	4 PLACES ±	±	INITIAL REVISION:			DOCUMENT NUMBER	DOC TYPE	DOC PART	REVISION		
	3 PLACES ±	±	DRWN:			190760001	PSD	000	A1		
	2 PLACES ±	±	APPR:								
	1 PLACE ±	±	ANGULAR TOL ± °								
	0 PLACES ±	±	DRAFT WHERE APPLICABLE MUST REMAIN WITHIN DIMENSIONS			THIRD ANGLE PROJECTION	DRAWING	SERIES	MATERIAL NUMBER	CUSTOMER	SHEET NUMBER
			DRAFT WHERE APPLICABLE MUST REMAIN WITHIN DIMENSIONS				B-SIZE	19076	SEE CHART		1 OF 1