

# 233-217 Plug and receptacle with keyed size#8 inserts MIL-DTL-38999 Series III type

How To Order 233-217							
<b>Sample Part Number</b>	<b>233-217</b>	<b>-G6</b>	<b>NF</b>	<b>25</b>	<b>-</b>	<b>08</b>	<b>A N</b>
<b>Series / Basic Part No.</b>	SuperNine® Environmental High-Speed connector						
<b>Connector Style*</b>	<b>G6</b> = Plug, with EMI spring <b>05</b> = Receptacle, in-line <b>07</b> = Receptacle, jam nut <b>00</b> = Receptacle, wall mount with slotted holes						
<b>Material/Finish</b>	<b>NF</b> = Cadmium Olive Drab <b>ME</b> = Electroless Nickel		<b>MT</b> = Nickel PTFE <b>ZR</b> = Black Zinc Nickel				
<b>Shell Size</b>	<b>9, 11, 17, 19, 21, 23, 25</b>						
<b>Ground Option</b>	<b>G</b> = Common Ground <b>-</b> = None						
<b>Insert Arrangement</b>	Per MIL-STD-1560; See Page C-7						
<b>Insert Designator</b>	<b>A</b> = Pin insert, less contacts <b>B</b> = Socket insert, less contacts    See Table						
<b>Alternate Polarization*</b>	<b>A, B, C, D, E, N</b> = Normal (IAW MIL-DTL-38999 Series III)						

\*Refer to Section A for complete details

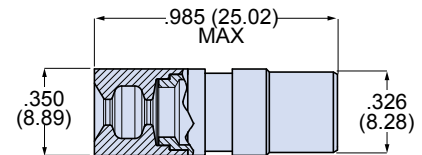
Contact Type	Glenair P/N	Cable*	Ω
Coax (per M39029/59 & /60)	Pin: 852-007-08-367 Socket: 852-006-08-366	M17/095-RG180	95
Differential Twinax	Pin: 853-014-01 Socket: 853-013-01 See note 9	Gore RCN8945	100
EI Ochito	Pin: 858-003-01 Socket: 858-004-01 See note 9	963-003-26 (PIC E6A3826)	100
Quadrax	Pin: 854-001-01 Socket: 854-002-01 See note 9	Tensolite NF26Q100	100
Triax/Concentric Twinax	Pin: 853-003-08-625 Socket: 853-004-08-628	M17/176-0002	78

\* Consult factory for other cable options

## SEALING BOOT

Sealing boot provides wire seal. Slide boot onto wire before terminating contact. After contact is installed in connector, slide boot forward into connector grommet to seal the contact cavity. "F" suffix added on contact part number specifies contact supplied with sealing boot.

Wire Diameter		Part Number
In	mm	
.090 - .130	2.3 - 3.3	859-042-01
.130 - .170	3.3 - 4.3	859-0042-02
.170 - .205	4.3 - 5.2	859-042-03
.190 - .220	4.8 - 5.6	687-643-8-02 <sup>8</sup>

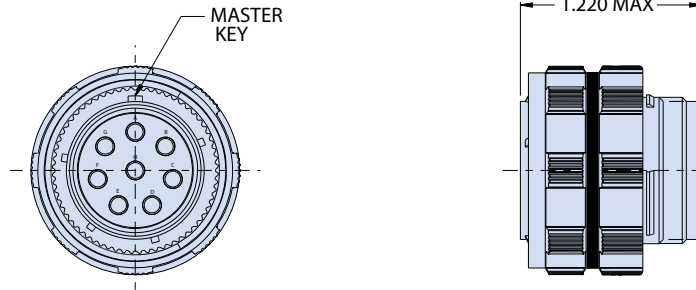


## NOTES

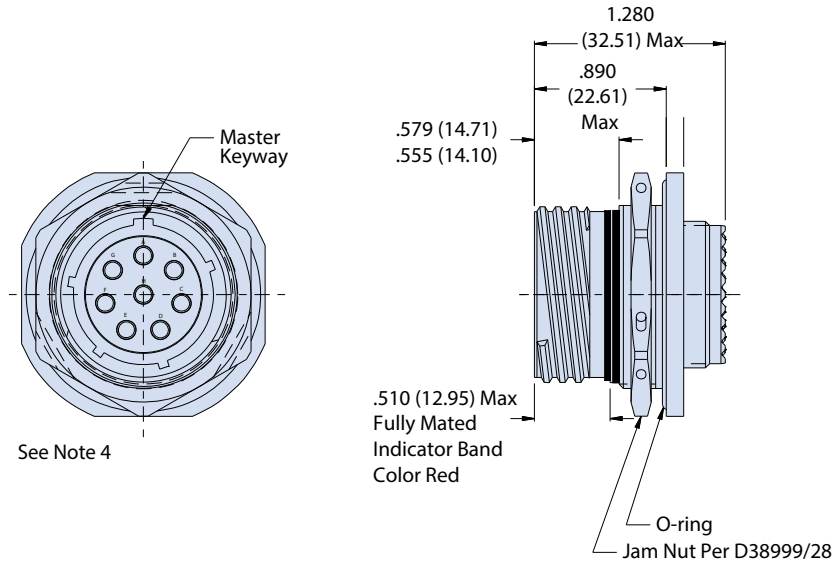
1. Insert arrangements IAW MIL-STD-1560. Contact Glenair for additional arrangement options.
2. All contacts, insertion/removal tool, and sealing plugs to be ordered separately.
3. Dimensions in in. (mm) are subject to change without notice.
4. See reference information in this section for recommended mounting holes for wall mount and jam nut receptacles.
5. Consult factory for additional information.
6. Blue color band indicates rear release retention system.
7. All contacts, insertion/removal tool, and sealing plugs to be ordered separately.
8. Used for EI Ochito contacts only.
9. For contacts with boot, add F suffix.

**233-217 Plug and receptacle with keyed size#8 inserts  
MIL-DTL-38999 Series III type**

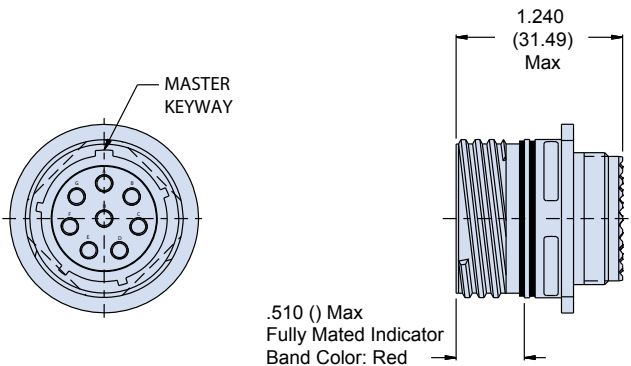
**G6 - PLUG**



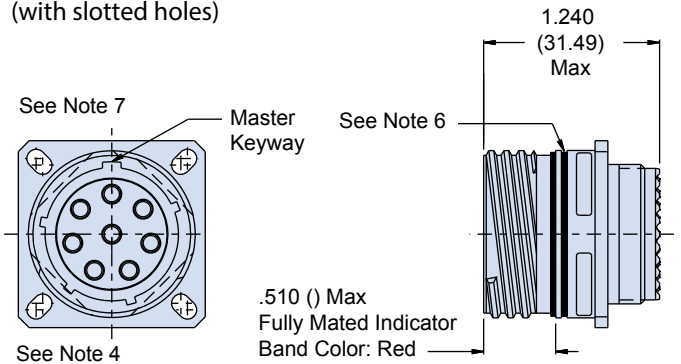
**07 - JAM NUT RECEPTACLE**



**05 - IN-LINE RECEPTACLE**



**00 - WALL MOUNT RECEPTACLE  
(with slotted holes)**



# Mouser Electronics

Authorized Distributor

Click to View Pricing, Inventory, Delivery & Lifecycle Information:

[Glenair:](#)

[858-004-01](#) [858-003-01](#)