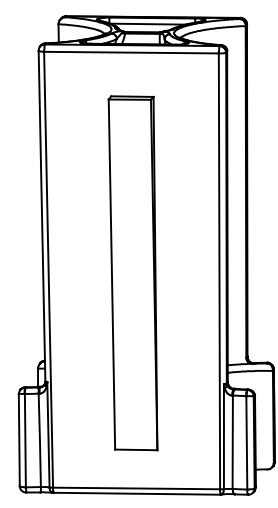
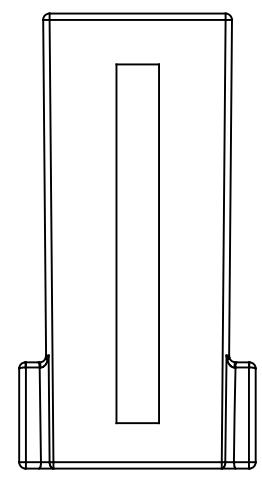
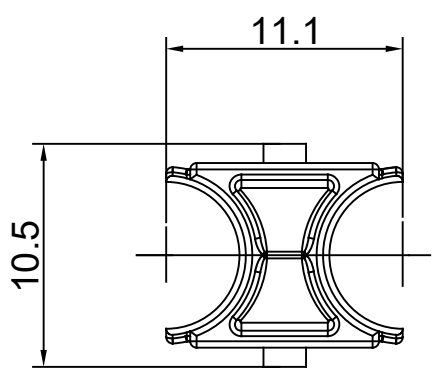
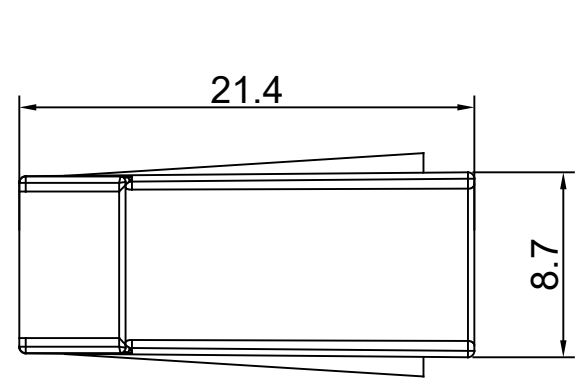


REVISIONS					
REV	ECO	DESCRIPTION	DATE	BY	APPR
A1	--	FIRST RELEASED	APR-10-2020	BLINK	TOMMY



**NOTES: (UNLESS OTHERWISE SPECIFIED)**

- MATERIAL:**  
SHELL: THERMOPLASTIC, UL94 V-0.
- SPECIFICATIONS:**  
2.1, OPERATING TEMPERATURE: -40~125°C.  
2.2, RoHS COMPLIANT.
- ALL DIMENSIONS ARE FOR REFERENCE USE ONLY.**

TITLE: TELECOM 4mm CONNECTOR, PLUG INSULATOR  
 DWG NO.: PL000729  
 REV: A1  
 SH: 1  
 OF: 1

QUANTITY	PART NUMBER	DESCRIPTION	ITEM
<b>MATERIALS LIST</b>			
UNLESS OTHERWISE SPECIFIED 1) All dimensions are in metric(mm). 2) Tolerances are as follows: 1 PL DEC ±0.30 2 PL DEC ±0.15 3 PL DEC ±0.08 Fractions ±1/64 Angles ±1° 3) Note reference =		<b>Amphenol</b> Sine Systems - www.amphenol-sine.com 44724 Morley Drive Clinton Township, MI 48036	
MATERIAL SPECIFICATIONS:  PROCESS SPECIFICATIONS:  NEXT ASSY:		SIGNATURES      DATE DRAWN: BLINK      APR-10-2020 CHECKED: ORION      APR-13-2020 ENGINEER: APPROVAL: TOMMY      APR-15-2020 CUSTOMER: THIS DRAWING IS SUPPLIED FOR INFORMATION ONLY. DESIGN FEATURES, SPECIFICATIONS AND PERFORMANCE DATA SHOWN HEREON ARE THE PROPERTY OF THE AMPHENOL CORPORATION. NO RIGHTS OF REPRODUCTION ARE IMPLIED. ALL DIMENSIONS ARE SUBJECT TO NORMAL MANUFACTURING VARIATIONS.	
		SIZE: <b>B</b> TYPE: <b>C-</b> DWG NO.: <b>PL000729</b> REVISION: <b>A1</b>	SCALE: <b>NONE</b> SHEET <b>1</b> OF <b>1</b>