

5

4

3

2

1

DRAWING NO. 32-1004-CUST(SEE TABLE I)			
REVISIONS			
01	OFFICIAL RELEASE		2009.09.0
	08-12-09	Y U Y U T H	<i>Betty</i> 2009.09.15 +08'00'

Description: See Table I
 Part No: See Table I
 Application: Unshielded Modular In-line Coupler
 Cross Wired for Voice Applications
 Crimp Tool: N/A
 Impedance: N/A
 Frequency Range: N/A
 Material: Wire 26AWG,PVC,OD1.0mm,UL1061
 Housing ABS,Color See Table I
 Pin Phosphor Bronze,Copper Plated
 RoHS Compliance: Yes
 Technical Detail: N/A



受控 CONTROLLED DOCUMENT					
编号 P/N	30-1004-C UST	版本 Rev	01	日期 Rel'd Date	SEP 14,09

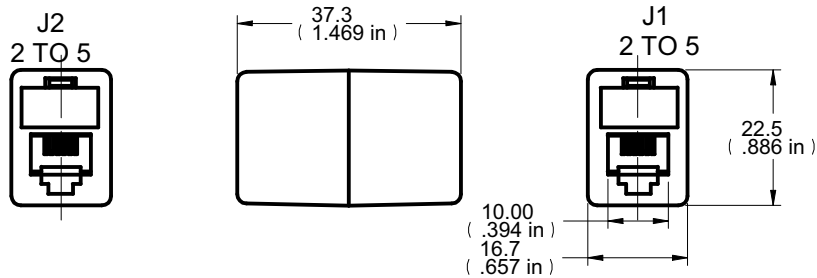
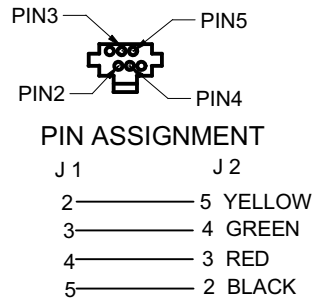


TABLE I

P/N	Description	Color
32-1004	RJ11 6P4C COUPLER X-WIRED,IV	Ivory
32-1004W	RJ11 6P4C COUPLER X-WIRED,WH	White

CUSTOMER COPY



DIM OUTLINE

TOLERANCE UNLESS OTHERWISE SPECIFIED	DRAWN BY BETTY.YU	DATE 08-12-09	
		CHECKED BY BETTY.YU	DATE 08-12-09
DECIMALS	mm	APPROVED BY THOMAS	DATE 08-12-09
		ANGLES	± 0.5°

EMERSON
Network Power

Connectivity Solutions

TITLE
RJ11 6P4C COUPLER X-WIRED,IV
(SEE TABLE I)

THIS DRAWING WAS PRODUCED BY COMPUTER, DO NOT SCALE DRAWING OR UPDATE MANUALLY.		SHEET 1 OF 1	DRAWING NO. 32-1004-CUST (SEE TABLE I)	SIZE A
---	--	-----------------	--	-----------

5

4

3

2

1