

Speed Controller with One-touch Fittings

Series AS

Elbow Style, Universal Style

RoHS

Minimizes installation time and cost

Reduces the mounting height and enables compact machinery design. Effective area is larger than the former model.

Tube swivels 360°

Universal style permits 360° piping swivel.

Application to inch size tubing

- Metric size (Release bushing: White color)
ø3.2, ø4, ø6, ø8, ø10, ø12
- Inch size (Release bushing: Orange color)
ø1/8", ø5/32", ø3/16", ø1/4", ø5/16", ø3/8", ø1/2"

Operating pressure 1MPa max.

Accepts

Nylon, Soft nylon and Polyurethane tubing.

Retainer prevents accidental loss of needle

Optional: Hexagonal lock nut, Nickel plated option

Number of needle rotations has been increased (8 to 10 turns)

The increased number of needle rotations (8 to 10 turns) permits easier control at lower speed.

Model

Elbow	Universal	Port size	Applicable tube O.D.												Applicable cylinder bore size (mm)			
			Metric size						Inch size									
			2	3.2	4	6	8	10	12	1/8"	5/32"	3/16"	1/4"	5/16"		3/8"	1/2"	
AS12□1F-M3	AS13□1F-M3	M3	●	●	●							●	●					2.5, 4, 6
AS12□1F-M5	AS13□1F-M5	M5	●	●	●	●						●	●					6, 10, 16, 20
AS12□1F-U10/32	AS13□1F-U10/32	10-32UNF	●	●	●							●	●					6, 10, 16, 20
AS22□1F-01	AS23□1F-01	R(PT)1/8		●	●	●	●	●	●			●	●	●	●			20, 25, 32
AS22□1F-02	AS23□1F-02	R(PT)1/4			●	●	●	●				●	●	●	●	●		20, 25, 32, 40
AS32□1F-02	AS33□1F-02	R(PT)1/4				●	●	●	●				●	●	●			40, 50, 63
AS32□1F-03	AS33□1F-03	R(PT)3/8					●	●	●	●				●	●	●		40, 50, 63
AS42□1F-04	AS43□1F-04	R(PT)1/2							●	●						●	●	63, 80, 100

Note 1) *Only elbow style.

Note 2) Distinction between meter-out/meter-in types by appearance.

They are distinguished by the lock nut. The lock nut on the meter-out type is zinc chromated, while the meter-in type is black zinc chromate plated.

Note 3) ●: Brass parts are electroless nickel plated, provided as standard (N specifications).

Note 4) AS12□1F-M5-02 applicable cylinder bore sizes are 2.5, 4, 6.

Specifications

Proof pressure	1.5MPa
Max. operating pressure	1MPa
Min. operating pressure	0.1MPa
Ambient and fluid temperature	-5 to 60°C (No freezing)
Number of needle rotations	10 turns (8 turns ⁽¹⁾)
Applicable tubes ⁽²⁾	Nylon, Soft nylon, Polyurethane
Option	Sealant ⁽³⁾ , Hexagon lock nut, Electroless nickel plated ⁽⁴⁾

Note 1) AS12□1F-M5, AS12□1F-U10/32

AS13□1F-M5, AS13□1F-U10/32

Note 2) Pay attention to the maximum operating pressure when soft nylon or Polyurethane is used. (Refer to p.7-146 and 7-147 in "Best Pneumatics" for further information.)

Note 3) Nickel plated AS12□1F and AS13□1F are standard, not equipped with a seal.

Note 4) Brass parts are all electroless nickel plated.

Air Flow/Effective Area

Model	AS12□1F-M3 AS13□1F-M3 AS12□1F-M5-02	AS12□1F-M5 AS13□1F-M5	AS22□1F-01 AS23□1F-01	AS22□1F-02 AS23□1F-02	AS32□1F AS33□1F	AS42□1F AS43□1F							
	Tube O.D.	Metric size ø2, ø3.2, ø4	ø3.2, ø4, ø6	ø3.2, ø4	ø6, ø8, ø10	ø4	ø6	ø8, ø10	ø6	ø8	ø10, ø12	ø10	ø12
	Inch size ø1/8", ø5/32"	ø1/8", ø5/32"	ø1/8", ø5/32"	ø3/16", ø1/4", ø5/16"	ø5/32" ø3/16"	ø1/4", ø5/16", ø3/8"	ø1/4" ø5/16"	ø3/8"	ø3/8"	ø1/2"			
Controlled (Free) flow	Air (l/min(ANR))	20	100	180	230	260	390	460	660	790	920	1580	1710
	Eff. area (mm ²)	0.3	1.5	2.7	3.5	4	6	7	10	12	14	24	26

Notes) Supply pressure: 0.5MPa, Temperature: 20°C.
U10/32 has the same specification as M5.

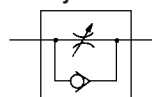
Elbow style



Universal style



JIS Symbol



Indication of air flow direction on body

	Meter-out	Meter-in
Symbol		
JIS Symbol		

With One-touch Fittings: Elbow/Universal Style *Series AS*

How to Order

AS 2 2 1 1F — **01** — **06** **S** — —

Body size

1	M3, M5 standard
2	1/8, 1/4 standard
3	3/8 standard
4	1/2 standard

Style

2	Elbow
3	Universal

Control

0	Meter out
1	Meter in

With One-touch fittings

Thread

—	Meter thread (M3, M5)
—	Unified thread (10-32UNF)
N	R(PT)
N	NPT

Port size

M3	M3
M5	M5
U10/32	10-32UNF
01	1/8
02	1/4
03	3/8
04	1/2

Option

—	None
S	With sealant
N	Electroless nickel plating

*If more than one option is required, write option parts numbers in the order of "S", "K", "N".

Lock nut option

—	Hexagon lock nut
J	Round lock nut

Made to Order

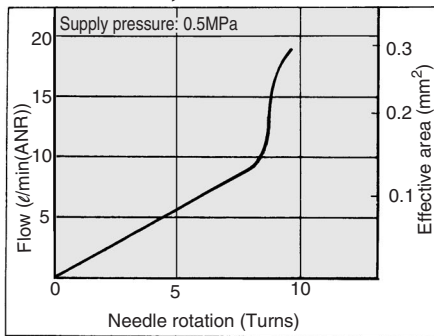
Applicable tube O.D.

Millimeter		Inch	
23	ø3.2*	01	ø1/8"
04	ø4	03	ø5/32"
06	ø6	05	ø3/16"
08	ø8	07	ø1/4"
10	ø10	09	ø5/16"
12	ø12	11	ø3/8"
		13	ø1/2"

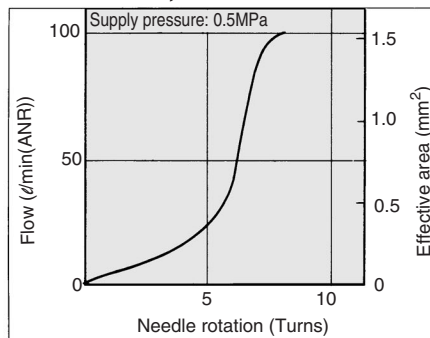
*ø1/8" tube should be used.

Needle Valve/Flow Characteristics

**AS1201F-M3, AS1211F-M3
AS1301F-M3, AS1311F-M3**

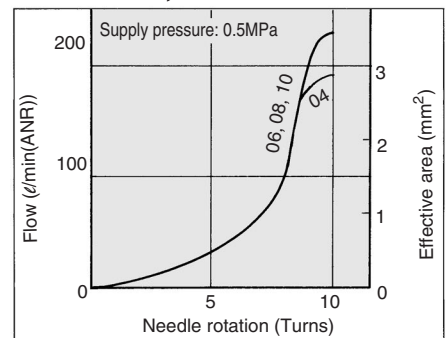


**AS1201F-M5, AS1211F-M5
AS1301F-M5, AS1311F-M5**

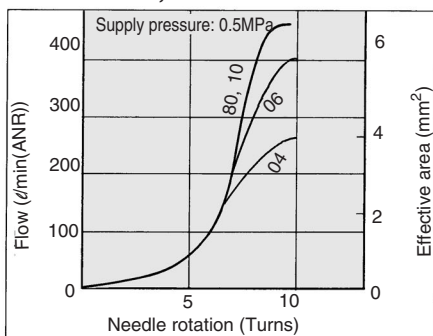


Note) "-U10/32" is the same as "M5".

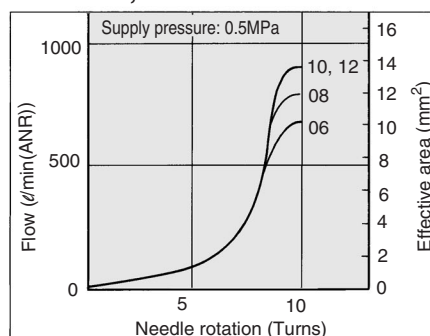
**AS2201F-01, AS2211F-01
AS2301F-01, AS2311F-01**



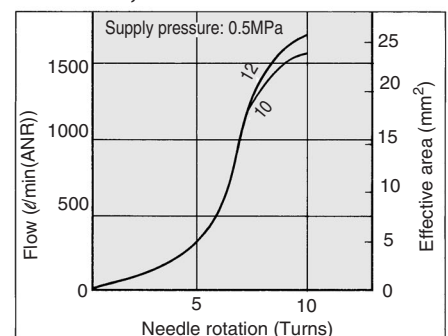
**AS2201F-02, AS2211F-02
AS2301F-02, AS2311F-02**



**AS3201F, AS3211F
AS3301F, AS3311F**



**AS4201F, AS4211F
AS4301F, AS4311F**



Series AS

Made to Order

1 Lubricant: Vaseline **X12**

Ex.) AS2201F-01-04S-X12

2 Grease-free (Seal: Fluorine Coating) + Throttle Valve (Without Check Valve) **X21**

Ex.) AS2201F-01-04S-X21

Note 1) Not particle-free

Note 2) Throttle valve is only compatible with the part no. of the meter-out type.

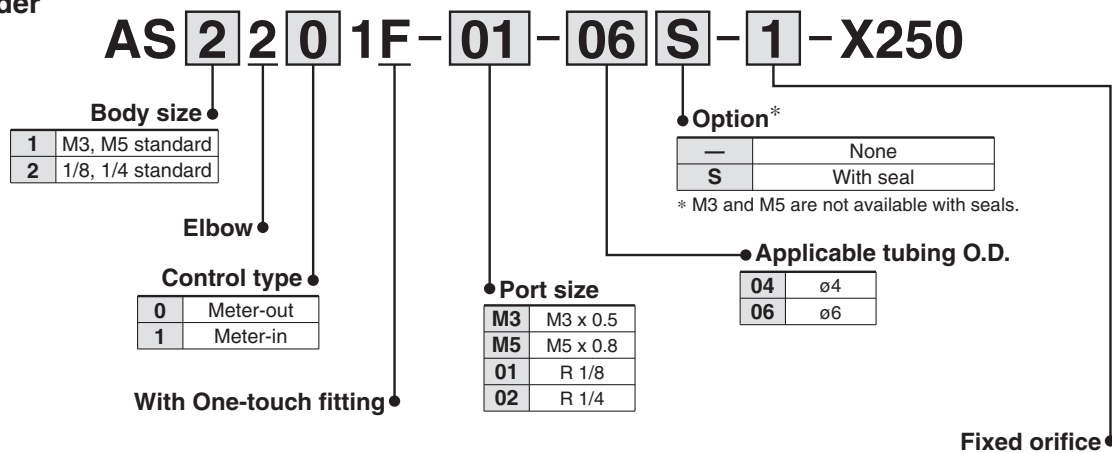
3 Throttle Valve (Without Check Valve) **X214**

Ex.) AS2201F-01-04S-X214

Note) Throttle valve is only compatible with the part no. of the meter-out type.

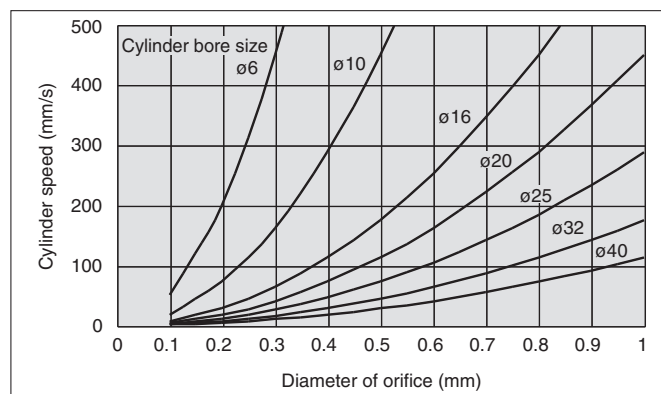
4 Fixed Throttle (No needle function) **X250**

How to Order



Symbol	Fixed orifice	Applicable model			
		AS12□1F-M3-04	AS12□1F-M5-04 AS12□1F-M5-06	AS22□1F-01-04 AS22□1F-01-06	AS22□1F-02-06
1	ø0.1	●	●	●	●
2	ø0.2	●	●	●	●
3	ø0.3	●	●	●	●
4	ø0.4	●	●	●	●
5	ø0.5	●	●	●	●
6	ø0.6	●	●	●	●
7	ø0.7	●	●	●	●
8	ø0.8	●	●	●	●
9	ø0.9		●	●	●
10	ø1.0		●	●	●

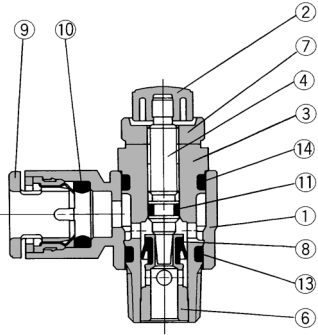
The graph below shows the relationship between orifices for each cylinder bore and cylinder speed. Please refer to it during selection. The cylinder speeds on the graph are theoretical values. Actual values may differ depending on the piping conditions or sliding friction, so please use this graph as a guideline only.



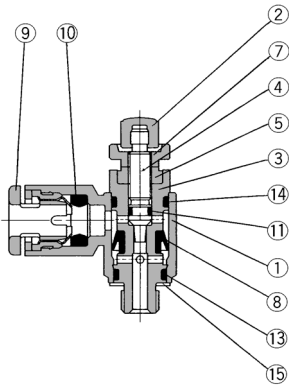
With One-touch Fittings: Elbow/Universal Style *Series AS*

Construction

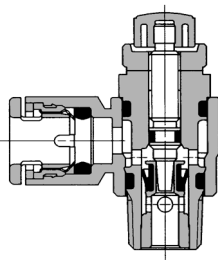
**Elbow style
Meter-out**



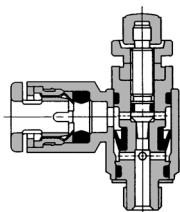
**M3 port
M5 port
U10/32 port**



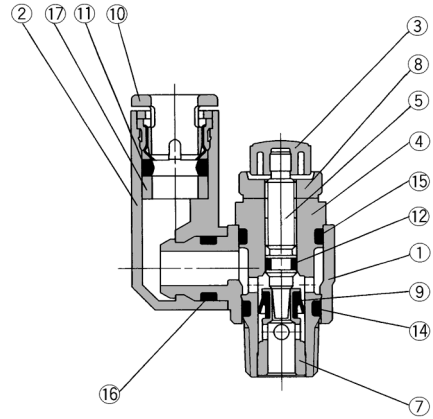
Meter-in



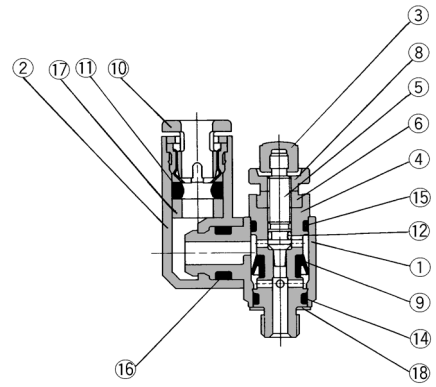
**M3 port
M5 port
U10/32 port**



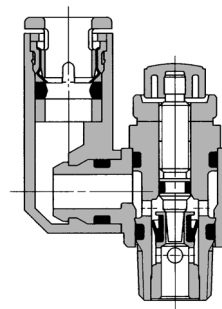
**Universal style
Meter-out**



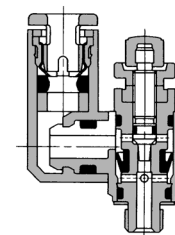
**M3 port
M5 port
U10/32 port**



Meter-in



**M3 port
M5 port
U10/32 port**

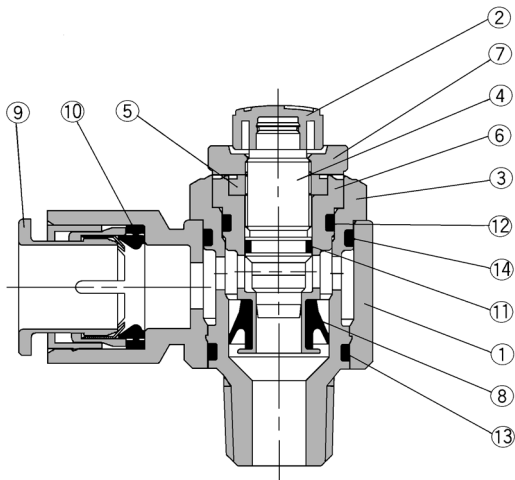


Series AS

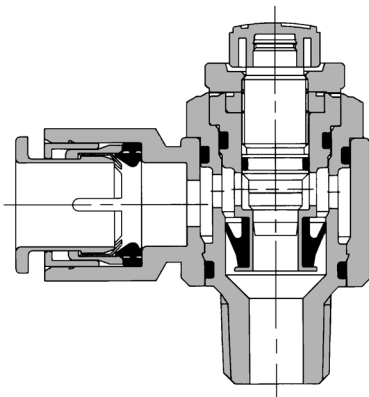
Construction

Elbow style

Meter-out AS3201F-02



Meter-in AS3211F-02



Component Parts

No.	Description	Material	Note
①	Body A	PBT	
②	Handle	PBT ⁽¹⁾	
③	Body B	Brass ⁽²⁾	Electroless nickel plated
④	Needle	Brass	Electroless nickel plated
⑤	Needle guide	Brass	Electroless nickel plated
⑥	Seat ring	Brass	See Note 3
⑦	Lock nut	Steel	Zinc chromated ⁽⁴⁾
⑧	U-packing	HNBR	
⑨	Cassette	POM, Stainless steel	
⑩	Packing	NBR	
⑪	O ring	NBR	
⑫	O ring	NBR	
⑬	O ring	NBR	
⑭	O ring	NBR	
⑮	Gasket	NBR, Stainless steel	

Note 1) AS12□1F-M3-02 and AS12□1F-M5-02 are made of electroless nickel plated brass.

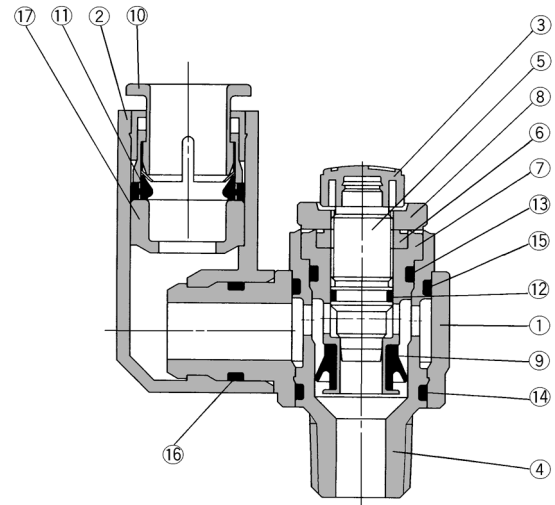
Note 2) AS12□1F-M3: Stainless

Note 3) AS22□1F, AS32□1F-02: Electroless nickel plated

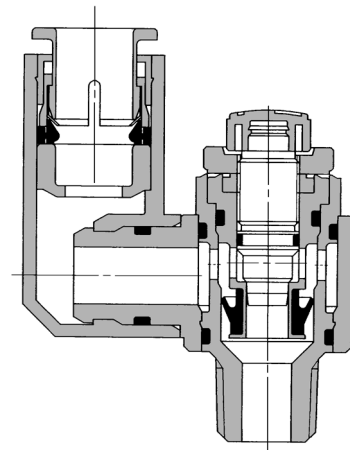
Note 4) Meter-in type: Black zinc chromated

Universal style

Meter-out AS3301F-02



Meter-in AS3311F-02



Component Parts

No.	Description	Material	Note
①	Body A	PBT	
②	Elbow body	PBT	
③	Handle	PBT	
④	Body B	Brass ⁽¹⁾	Electroless nickel plated
⑤	Needle	Brass	Electroless nickel plated
⑥	Needle guide	Brass	Electroless nickel plated
⑦	Seat ring	Brass	See Note 2
⑧	Lock nut	Steel	Zinc chromated ⁽³⁾
⑨	U-packing	HNBR	
⑩	Cassette	POM, Stainless steel	
⑪	Packing	NBR	
⑫	O ring	NBR	
⑬	O ring	NBR	
⑭	O ring	NBR	
⑮	O ring	NBR	
⑯	O ring	NBR	
⑰	Spacer	POM	
⑱	Gasket	NBR, Stainless steel	

Note 1) AS13□1F-M3: Stainless

Note 2) AS23□1F, AS33□1F-02: Electroless nickel plated

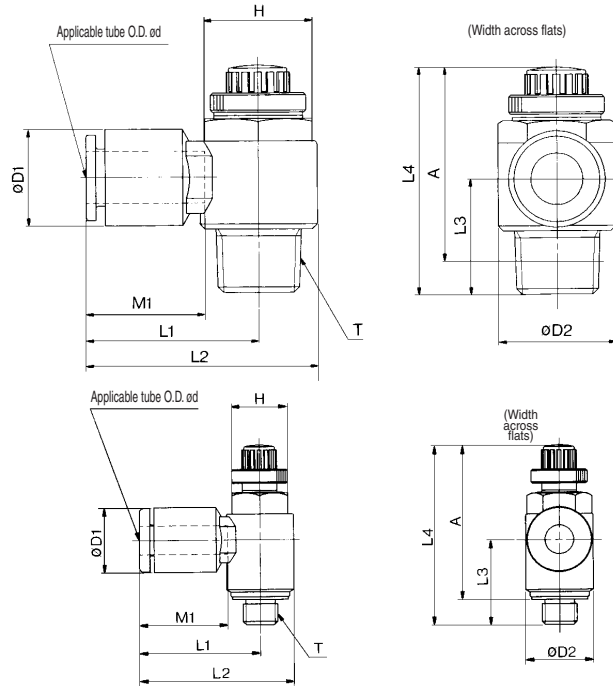
Note 3) Meter-in type: Black zinc chromated

With One-touch Fittings: Elbow/Universal Style *Series AS*



Elbow Style

M3 port
M5 port
U10/32 port



Metric

Model	Tube O.D. d	T	H ⁽¹⁾	D1	D2	L1	L2	L3	L4		A ⁽²⁾		M1	Weight (g)
									MAX.	MIN.	MAX.	MIN.		
AS12□1F-M3-02	2	M3	5.5	6	5.2	11.4	—	11	26.8	24.3	24.3	21.8	8.8	2.4
AS12□1F-M3-02		M5	7	—	—	—	—	11.5	27.3	24.8	—	—	—	3
AS12□1F-M3-23	3.2	M3	5.5	8.4	7.2	16.1	19.7	10.5	26.6	24.1	24	21.5	12.7	4
AS12□1F-M3-04				9.3										
AS12□1F-M5-23	3.2	M5	8	8.4	9.6	17.3	22.1	12.3	28.6	25.8	25	22.2	12.7	7
AS12□1F-U10/32-23				10-32UNF										
AS12□1F-M5-04	4	M5	8	9.3	9.6	17.3	22.1	12.3	28.6	25.8	25	22.2	12.7	7
AS12□1F-U10/32-04				10-32UNF										
AS12□1F-M5-06	6	M5	11.6	9.6	18.1	22.9	11.7	13.5	28.6	25.8	25	22.2	12.7	7
AS12□1F-U10/32-06														
AS22□1F-01-23	3.2	R(PT) 1/8	12 (12.7)	9.3	20.4	27.5	13.4	35.2	30.2	32.1	27.1	12.7	16	17
AS22□1F-01-04	4			9.3	20.4	27.5								
AS22□1F-01-06	6	R(PT) 1/8	12 (12.7)	11.6	14.2	20.4	27.5	13.4	35.2	30.2	32.1	27.1	12.7	16
AS22□1F-01-08	8			15.2	25.3	32.4	—							
AS22□1F-01-10	10	R(PT) 1/8	12 (12.7)	18.5	33.1	40.2	14.1	13.4	35.2	30.2	32.1	27.1	12.7	16
AS22□1F-02-04	4			10.4	25.2	34.4	—							
AS22□1F-02-06	6	R(PT) 1/8	12 (12.7)	12.8	18.5	25.2	34.4	17.7	39.9	34.9	34.4	29.4	16	32
AS22□1F-02-08	8			15.2	27.2	36.4	—							
AS22□1F-02-10	10	R(PT) 1/8	12 (12.7)	18.5	33.9	43.2	19.5	13.4	39.9	34.9	34.4	29.4	16	32
AS32□1F-02-06	6			12.8	27.8	39.3	—							
AS32□1F-02-08	8	R(PT) 1/4	17 (17.5)	15.2	29.5	41	21.3	48.3	43.3	42.8	37.8	18.5	63	34
AS32□1F-02-10	10			18.5	31.8	43.3								
AS32□1F-02-12	12	R(PT) 1/4	17 (17.5)	20.9	32.8	44.3	21.3	48.3	43.3	42.8	37.8	18.5	63	34
AS32□1F-03-06	6			12.8	27.8	39.3								
AS32□1F-03-08	8	R(PT) 3/8	19	15.2	29.5	41	21.3	48.3	43.3	42.8	37.8	18.5	63	34
AS32□1F-03-10	10			18.5	31.8	43.3								
AS32□1F-03-12	12	R(PT) 3/8	19	20.9	32.8	44.3	21.3	48.3	43.3	42.8	37.8	18.5	63	34
AS42□1F-04-10	10			12.8	27.8	39.3								
AS42□1F-04-12	12	R(PT) 1/2	24 (23.8)	18.5	33.6	47.9	24.5	56.7	49.2	49.6	42.1	21	100	101
AS42□1F-04-12	12			20.9	34.6	48.9								

Note 1) () are the dimensions of NPT thread.

Note 2) Reference thread dimensions after being screwed in.

Inch

Model	Tube O.D. d	T	H ⁽¹⁾	D1	D2	L1	L2	L3	L4		A ⁽²⁾		M1	Weight (g)
									MAX.	MIN.	MAX.	MIN.		
AS12□1F-M3-01	1/8"	M3	5.5	8.4	7.2	16.1	19.7	10.5	26.6	24.1	24	21.5	12.7	4
AS12□1F-M3-03	5/32"			9.3	—	—	—	—	—	—	—	—	—	—
AS12□1F-M5-01	1/8"	M5	8	8.4	9.6	17.3	22.1	12.3	28.6	25.8	25	22.2	12.7	7
AS12□1F-U10/32-01	1/8"			10-32UNF	—	—	—	—	—	—	—	—	—	—
AS12□1F-M5-03	5/32"	M5	8	9.3	9.6	17.3	22.1	12.3	28.6	25.8	25	22.2	12.7	7
AS12□1F-U10/32-03	5/32"			10-32UNF	—	—	—	—	—	—	—	—	—	—
AS22□1F-01-01	1/8"	1/8	12 (12.7)	9.3	20.4	27.5	13.4	35.2	30.2	32.1	27.1	12.7	16	17
AS22□1F-01-03	5/32"			9.3	20.4	27.5								
AS22□1F-01-05	3/16"	1/8	12 (12.7)	11.4	14.2	23.1	30.2	13.4	35.2	30.2	32.1	27.1	16.5	17
AS22□1F-01-07	1/4"			13.2	23.9	31	—	—	—	—	—	—	—	18.5
AS22□1F-01-09	5/16"	1/8	12 (12.7)	15.2	25.3	32.4	14.1	13.4	35.2	30.2	32.1	27.1	21	21
AS22□1F-02-03	5/32"			10.4	25.2	34.4	—	—	—	—	—	—	—	16
AS22□1F-02-05	3/16"	1/4	17 (17.5)	11.4	24.9	34.2	17.7	13.4	39.9	34.9	34.4	29.4	17	34
AS22□1F-02-07	1/4"			13.2	18.5	25.2	34.5	19.5	39.9	34.9	34.4	29.4	29.4	18.5
AS22□1F-02-09	5/16"	1/4	17 (17.5)	15.2	27.2	36.4	19.5	13.4	39.9	34.9	34.4	29.4	21	36
AS22□1F-01-07	1/4"			13.2	27.8	39.3	—	—	—	—	—	—	—	17
AS22□1F-02-11	3/8"	1/4	17 (17.5)	17.9	33.9	43.2	19.5	13.4	39.9	34.9	34.4	29.4	21	36
AS32□1F-02-07	1/4"			13.2	27.8	39.3	—	—	—	—	—	—	—	17
AS32□1F-02-09	5/16"	1/4	17 (17.5)	15.2	23	29.5	41	21.3	48.3	43.3	42.8	37.8	18.5	63
AS32□1F-02-11	3/8"			17.9	31.8	43.3	—	—	—	—	—	—	—	21
AS32□1F-03-07	1/4"	1/4	17 (17.5)	13.2	27.8	39.3	—	—	—	—	—	—	17	55
AS32□1F-03-09	5/16"			15.2	23	29.5	41	19.8	45.4	40.4	40.2	35.2	18.5	57
AS32□1F-03-11	3/8"	1/4	17 (17.5)	17.9	31.8	43.3	—	—	—	—	—	—	21	59
AS42□1F-04-11	3/8"			13.2	27.8	39.3	—	—	—	—	—	—	—	21
AS42□1F-04-13	1/2"	1/2	24 (23.8)	17.9	28.6	33.6	47.9	24.5	56.7	49.2	49.6	42.1	21	100
AS42□1F-04-13	1/2"			21.7	35.2	49.5	—	—	—	—	—	—	—	22

Note 1) () are the dimensions of NPT thread.

Note 2) Reference thread dimensions after being screwed in.

Elbow Style

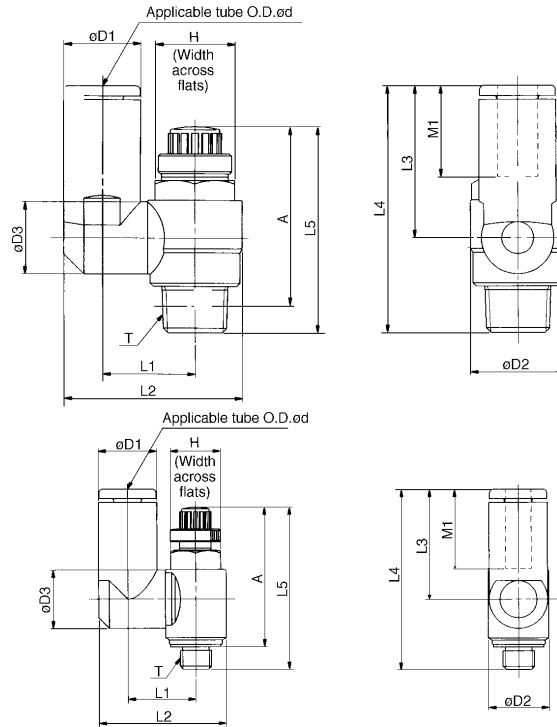
File	Model	Port size	Detail No.											
			Tube O.D.											
			3.2	4	6	8	10	12	—	—				
SAS21F1N	AS12□1F-M3-□	M3	#1	#2	—	—	—	—	—	—	—	—	—	—
	AS12□1F-M5-□	M5	#3	#4	#5	—	—	—	—	—	—	—	—	—
	AS22□1F-01-□S	R(PT)1/8	#6	#7	#8	#9	#10	—	—	—	—	—	—	—
	AS22□1F-02-□S	R(PT)1/4	—	#11	#12	#13	#14	—	—	—	—	—	—	—
	AS32□1F-03-□S	R(PT)3/8	—	—	#15	#16	#17	#18	—	—	—	—	—	—
	AS42□1F-04-□S	R(PT)1/2	—	—	—	—	#19	#20	—	—	—	—	—	—

Series AS



Universal Style

M3 port
M5 port
U10/32 port



Metric

Model	d	T	H ⁽¹⁾	D1	D2	D3	L1	L2	L3	L4	L5		A ⁽²⁾		M1	Weight (g)
											MAX.	MIN.	MAX.	MIN.		
AS13□1F-M3-23	3.2	M3	5.5	8.4	7.2	7.2	10.1	17.9	17.6	28.3	26.6	24.1	24	21.5	12.7	4
AS13□1F-M3-04	4			9.3				18.3	17.9	28.6						
AS13□1F-M5-23	3.2	M5	8	8.4	9.6	9.3	10.8	19.8	17.5	28.7	28.6	25.8	25	22.2	7	12.7
AS13□1F-U10/32-23		10-32UNF						20.3								
AS13□1F-M5-04	4	M5	8	9.3	9.6	9.3	10.8	20.3	21.4	20.6	31.8	28.6	25	22.2	13.5	7
AS13□1F-U10/32-04		10-32UNF														
AS13□1F-M5-06	6	M5	8	11.6	9.6	9.3	10.8	21.4	20.6	31.8	28.6	25.8	25	22.2	13.5	7
AS13□1F-U10/32-06		10-32UNF														
AS23□1F-01-23	3.2	1/8	12	8.4	14.2	9.3	13.1	24.4	17.5	30.9	35.2	30.2	32.1	27.1	12.7	17
AS23□1F-01-04	4			9.3				24.9								
AS23□1F-01-06	6	1/8	12	11.6	14.2	10.9	14	26.9	22.9	36.3	35.2	30.2	32.1	27.1	13.5	21
AS23□1F-01-08	8			15.2				30.9								
AS23□1F-02-04	4	1/4	17	10.4	18.5	12.9	16.2	30.9	28.2	40.8	39.9	34.9	34.4	29.4	16	32
AS23□1F-02-06	6			12.8				18.4								
AS23□1F-02-08	8	15.2	18.3	35.2	28.2	45.1	39.9	34.9	34.4	29.4	18.5	36	17	33	18.5	36
AS23□1F-02-10	10	18.5	20.2	38.7	31	47.9										
AS33□1F-02-06	6	3/8	19	12.8	23	12.9	20.6	38.5	25.2	46.5	48.3	43.3	42.8	37.8	17	60
AS33□1F-02-08	8			15.2				12.9								
AS33□1F-02-10	10	18.5	23	43.7	32.6	53.9	48.3	43.3	42.8	37.8	21	67	18.5	63	18.5	63
AS33□1F-02-12	12	20.9	16.2	23	44.9	34.4										
AS33□1F-03-06	6	3/8	19	12.8	23	12.9	20.6	38.5	25.2	45	45.4	40.4	40	35	17	56
AS33□1F-03-08	8			15.2				12.9								
AS33□1F-03-10	10	18.5	23	43.7	32.6	52.4	45.4	40.4	40.2	35.2	21	63	18.5	59	21	65
AS33□1F-03-12	12	20.9	16.2	23	44.9	34.4										
AS43□1F-04-10	10	1/2	24	18.5	28.6	16.2	25.8	49.4	32.6	57.1	56.7	49.2	49.6	42.1	21	104
AS43□1F-04-12	12			(23.8)				21.7								

Note 1) () are the dimensions of NPT thread

Note 2) Reference thread dimensions after being screwed in

Inch

Model	Tube O.D. d	T	H ⁽¹⁾	D1	D2	D3	L1	L2	L3	L4	L5		A ⁽²⁾		M1	Weight (g)
											MAX.	MIN.	MAX.	MIN.		
AS13□1F-M3-01	1/8"	M3	5.5	8.4	7.2	7.2	10.1	17.9	17.6	28.3	26.6	24.1	24	21.5	12.7	4
AS13□1F-M3-03	5/32"			9.3				18.3	17.9	28.6						
AS13□1F-M5-01	1/8"	M5	8	8.4	9.6	9.3	10.8	19.8	17.5	28.7	28.6	25.8	25	22.2	7	12.7
AS13□1F-U10/32-01	1/8"															
AS13□1F-M5-03	5/32"	M5	8	9.3	9.6	9.3	10.8	20.3	21.4	20.6	31.8	28.6	25	22.2	13.5	7
AS13□1F-U10/32-03	5/32"															
AS23□1F-01-01	1/8"	1/8	12	8.4	14.2	9.3	13.1	24.4	17.5	30.9	35.2	30.2	32.1	27.1	12.7	17
AS23□1F-01-03	5/32"			9.3				24.9								
AS23□1F-01-05	3/16"	1/8	12	11.6	14.2	10.9	14	26.8	23.9	30.9	35.2	30.2	32.1	27.1	16.5	18
AS23□1F-01-07	1/4"			13.2				16.2								
AS23□1F-01-09	5/16"	1/4	17	15.2	18.5	12.9	16.2	30.9	28.2	40.8	39.9	34.9	34.4	29.4	18.5	21
AS23□1F-02-03	5/32"			10.4				10.9								
AS23□1F-02-05	3/16"	1/4	17	11.6	18.5	10.9	16.2	31.1	23.9	42.1	39.9	34.9	34.4	29.4	16.5	33
AS23□1F-02-07	1/4"			13.2				18.3								
AS23□1F-02-09	5/16"	1/4	17	15.2	18.5	12.9	18.3	35.2	28.2	47.4	39.9	34.9	34.4	29.4	18.5	39
AS23□1F-02-11	3/8"			18.5				20.2								
AS33□1F-02-07	1/4"	3/8	19	13.2	23	12.9	20.6	38.7	25.6	50	48.3	43.8	42.8	37.8	17	60
AS33□1F-02-09	5/16"			15.2				12.9								
AS33□1F-02-11	3/8"	3/8	19	18.5	23	12.9	20.6	39.7	28.2	47.4	48.3	43.8	42.8	37.8	21	69
AS33□1F-03-07	1/4"			13.2				12.9								
AS33□1F-03-09	5/16"	3/8	19	15.2	23	12.9	20.6	39.7	28.2	48	45.4	40.4	40.2	35.2	18.5	59
AS33□1F-03-11	3/8"			18.5				16.2								
AS43□1F-04-11	3/8"	1/2	24	18.5	28.6	16.2	25.8	49.4	32.6	57.1	56.7	49.2	49.6	42.1	21	104
AS43□1F-04-13	1/2"			(23.8)				21.7								

Note 1) () are the dimensions of NPT thread

Note 2) Reference thread dimensions after being screwed in

Universal Style

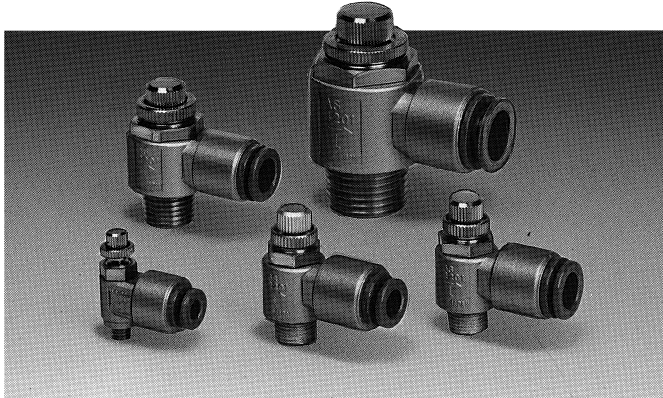
File	Model	Port size	Detail No.					
			Tube O.D.					
			3.2	4	6	8	10	12
SAS31F1N	AS13 □1F-M3-□	M3	#1	#2	—	—	—	—
	AS13 □1F-M5-□	M5	#3	#4	#5	—	—	—
	AS23 □1F-01-□S	R(PT)1/8	#6	#7	#8	#9	—	—
	AS23 □1F-02-□S	R(PT)1/4	—	#10	#11	#12	#13	—
	AS33 □1F-03-□S	R(PT)3/8	—	—	#14	#15	#16	#17
	AS43 □1F-04-□S	R(PT)1/2	—	—	—	—	#18	#19

Speed Controller with One-touch Fittings

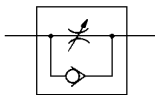
Series AS

Metal Body Elbow Style

RoHS



JIS Symbol



Model

Model	Port size	Applicable tube O.D.					Applicable cylinder bore (mm)
		4	6	8	10	12	
AS12□1-M5	M5	●	●				6, 10, 16, 20
AS22□1-01	R(PT) 1/8		●	●			20, 25, 32
AS22□1-02	R(PT) 1/4		●	●			20, 25, 32, 40
AS32□1-03	R(PT) 3/8			●	●		40, 50, 63
AS42□1-04	R(PT) 1/2				●	●	63, 80, 100

Note 1) ●: Nickel plated model is standard.

How to Order

AS 3 2 0 1-03-F 06 S N-

Speed controller

Body size

1	M5
2	01, 02
3	03
4	04

Elbow style

Controlled method

0	Meter-out
1	Meter-in

Thread size

M5	M5
01	R(PT) 1/8
02	R(PT) 1/4
03	R(PT) 3/8
04	R(PT) 1/2

Sealant

Option

-	None
N	Nickel plated

*Indicate symbols in alphabetical order if two options or more desired.

Tube size

04	ø4
06	ø6
08	ø8
10	ø10
12	ø12

Built-in One-touch fitting

Made to Order

Lock nut option

-	Hexagon lock nut
J	Round lock nut

Speed controller with built-in One-touch fitting for metal body specifications

- Uses flame resistant resin as standard. (UL standard V-0)

Specifications

Proof pressure	1.5MPa
Max. operating pressure	1MPa
Min. operating pressure	0.1MPa
Ambient and fluid temperature	-5 to 60°C
Number of needle rotations	10 turns (8 turns ⁽¹⁾)
Applicable tubes	Nylon, Soft nylon, Polyurethane
Option	Hexagon lock nut, Electroless nickel plated ⁽²⁾

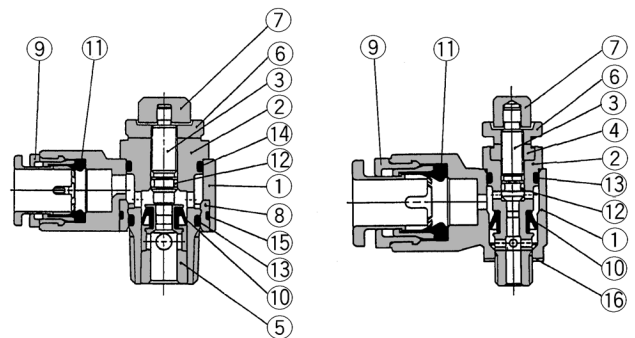
Distinction between meter-out/meter-in types by appearance. They are distinguished by the lock nut.

The lock nut on the meter-out type is zinc chromated while the meter-in type is black zinc chromate plated.

Note 1) M5 size

Note 2) All the brass parts are electroless nickel plated.

Construction



Component Parts

No.	Description	Material	Notes
①	Body A	Zinc alloy	Chromated
②	Body B	Brass	Electroless nickel plated
③	Needle	Brass	Electroless nickel plated
④	Needle guide	Brass	M5: Electroless nickel plated
⑤	Seat ring	Brass	(1)
⑥	Lock nut	Steel	Zinc chromated ⁽²⁾
⑦	Handle	Brass	Electroless nickel plated
⑧	Bushing	PBT	
⑨	Cassette	POM/Stainless steel	
⑩	U packing	NBR	
⑪	Packing	NBR	
⑫	O ring	NBR	
⑬	O ring	NBR	
⑭	O ring	NBR	
⑮	O ring	NBR	
⑯	Gasket	NBR/Stainless steel	Only M5 port

Note 1) *AS2□□1*: Electroless nickel plated

Note 2) Meter-in type: Black zinc chromated

Series AS

Made to Order

1 Lubricant: Vaseline **X12**

Ex.) AS1201-M5-F04-X12

2 Grease-free (Seal: Fluorine Coating) + Throttle Valve (Without Check Valve) **X21**

Ex.) AS1201-M5-F04-X21

3 Throttle Valve (Without Check Valve) **X214**

Ex.) AS1201-M5-F04-X214

Note 1) Not particle-free
Note 2) Throttle valve is only compatible with the part no. of the meter-out type.

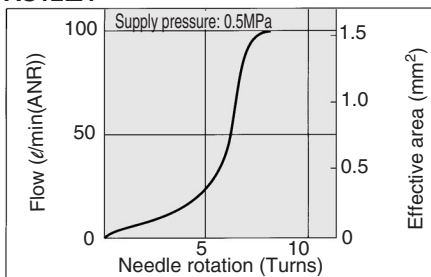
Note) Throttle valve is only compatible with the part no. of the meter-out type.

Flow/Effective area

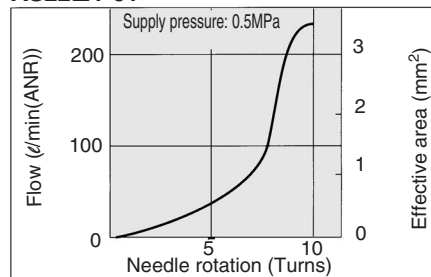
Model		AS12□1-M5	AS22□1-01	AS22□1-02		AS32□1-03		AS42□1-04	
Tube O.D		ø4, ø6	ø6, ø8	ø6	ø8	ø8	ø10	ø10	ø12
Controlled (Free) flow	Flow (ℓ/min (ANR))	100	230	390	460	790	920	1580	1710
	Effective area (mm ²)	1.5	3.5	6	7	12	14	24	26

Needle Valve/Flow Characteristics

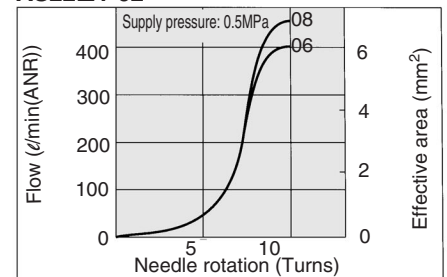
AS12□1



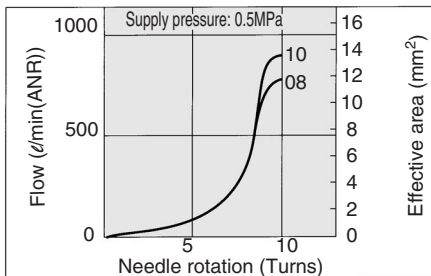
AS22□1-01



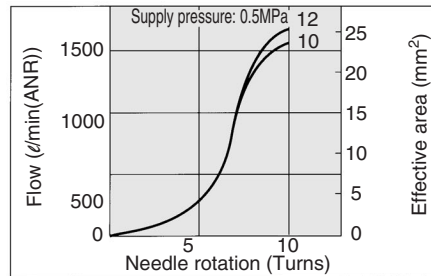
AS22□1-02



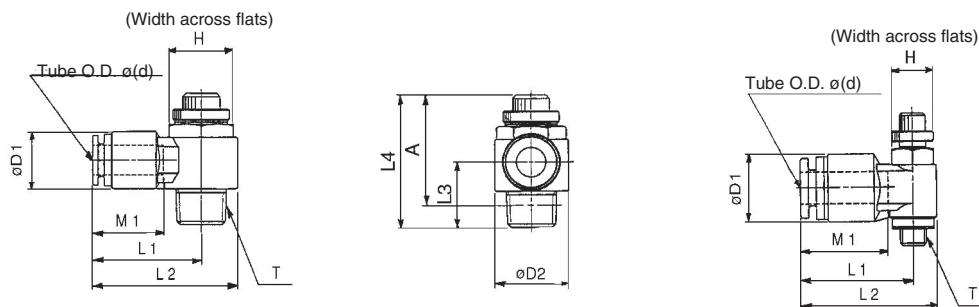
AS32□1



AS42□1



Dimensions



Model	Applicable tube O.D. ød	T	H	D1	D2	L1	L2	L3	L4		A ⁽¹⁾		M1	Weight (g)
									MAX	MIN	MAX	MIN		
AS12□1-M5-F04	4	M5	8	13	9	21	25.5	11.2	28.3	25.5	25	22.2	16	12.7
AS12□1-M5-F06	6					21.5	26						17	12.5
AS22□1-01-F06S	6	R (PT) 1/8	12	15.5	14.6	26.6	33.9	14.7	35.5	30.5	32.4	27.4	17	33.7
AS22□1-01-F08S	8												18.5	30.7
AS22□1-02-F06S	6	R (PT) 1/4	17	15.5	19.5	28.7	38.5	17.7	40.3	35.3	34.8	29.8	17	56.3
AS22□1-02-F08S	8												18.5	52.1
AS22□1-02-F10S	10												21	56.2
AS32□1-03-F08S	8	R (PT) 3/8	19	18.2	24.3	32.7	44.9	20.1	45.8	40.8	40.6	35.6	18.5	92.9
AS32□1-03-F10S	10					33.3	45.5						21	87.6
AS42□1-04-F10S	10	R (PT) 1/2	24	22.3	28.5	36.1	50.4	25.5	54.7	49.7	47.4	42.4	21	153.8
AS42□1-04-F12S	12												22	145.5

Note 1) Reference dimensions of thread M5, R (PT) after being screwed in

Speed Controller with One-touch Fittings

Series AS

In-line Style



Minimizes installation time and cost

Reduce the mounting height and enables compact machinery design. Effective area is larger than the former model.

Application to inch size tubing

- **Metric size** (Release bushing: White color)
 $\phi 3.2, \phi 4, \phi 6, \phi 8, \phi 10, \phi 12$
- **Inch size** (Release bushing: Orange color)
 $\phi 1/8", \phi 5/32", \phi 3/16", \phi 1/4", \phi 5/16", \phi 3/8", \phi 1/2"$

Operating pressure 1MPa max.

Applicable tube material

Nylon, Soft nylon and Polyurethane tubing

Retainer prevents accidental loss of needle

Optional: Hexagonal lock nut, Nickel plated option

Number of needle rotations has been increased (8 to 10 turns)

The increased number of needle rotations (8 to 10 turns) permits easy control at low speed.

In-line style

Model

Model	Applicable tube O.D.												Applicable cylinder bore size (mm)		
	Metric size						Inch size								
	3.2	4	6	8	10	12	1/8"	5/32"	3/16"	1/4"	5/16"	3/8"		1/2"	
AS1001F	●	●	●				●	●							6, 10, 16, 20
AS2001F		●	●					●	●	●					20, 25, 32
AS2051F			●	●					●	●	●				20, 25, 32, 40
AS3001F			●	●	●	●				●	●	●			40, 50, 63
AS4001F					●	●						●	●		63, 80, 100

Note) ●: Nickel plated model is standard.

Specifications

Proof pressure	1.5MPa
Max. operating pressure	1MPa
Min. operating pressure	0.1MPa
Ambient and fluid temperature	-5 to 60°C (No freezing)
Number of needle rotations	10 turns (8 turns ⁽¹⁾)
Applicable tubes ⁽²⁾	Nylon, Soft nylon, Polyurethane
Option	Hexagonal lock nut, Nickel plated ⁽³⁾

Note 1) AS1001F

Note 2) Pay attention to the maximum operating pressure when soft nylon or polyurethane is used. (Refer to p. 7-146 and 7-147 in "Best Pneumatics for further information.)

Note 3) Brass parts are all electroless nickel plated.

Air Flow/Effective Area

Model	AS1001F	AS2001F	AS2051F	AS3001F	AS4001F						
Applicable tube O.D.	Metric size $\phi 3.2, \phi 4, \phi 6$ Inch size $\phi 1/8", \phi 5/32"$	$\phi 4$ $\phi 5/32"$	$\phi 6$ $\phi 3/16", \phi 1/4"$	$\phi 6$ $\phi 3/16"$	$\phi 8$ $\phi 1/4, \phi 5/16$	$\phi 6$ $\phi 1/4$	$\phi 8$ $\phi 5/16$	$\phi 10, \phi 12$ $\phi 3/8"$	$\phi 10$ $\phi 3/8"$	$\phi 12$ $\phi 1/2"$	
Controlled (Free) Flow	Air flow ($\phi/\text{min(ANR)}$) Effective area (mm^2)	100 1.5	130 2	230 3.5	290 4.5	460 7	420 6.5	660 10	920 14	1050 16	1390 21

Note) Supply pressure: 0.5MPa, Temperature: 20°C.

How to Order

AS 400 1F — 12 K

JIS Symbol

Body size

100	M5
200	1/8
205	1/4
300	3/8
400	1/2

With One-touch fittings

Option*

-	None
K	Hexagonal lock nut
N	Electroless nickel plated

*Indicate symbols in alphabetical order if two options or more desired.

Applicable tube O.D.

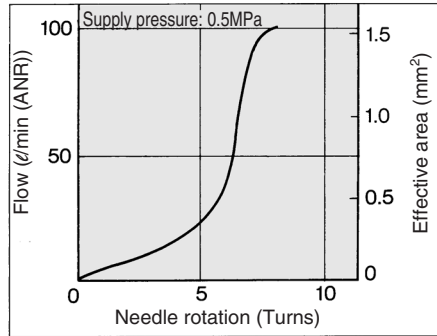
Metric size	Inch size
23	$\phi 3.2^*$
01	$\phi 1/8"$
04	$\phi 4$
03	$\phi 5/32"$
06	$\phi 6$
05	$\phi 3/16"$
08	$\phi 8$
07	$\phi 1/4"$
10	$\phi 10$
09	$\phi 5/16"$
12	$\phi 12$
11	$\phi 3/8"$
13	$\phi 1/2"$

*Use $\phi 1/8"$ tubing.

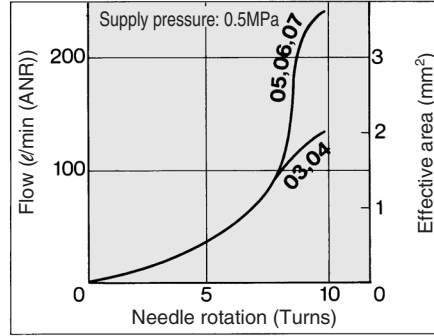
Series AS

Needle Valve/Flow Characteristic

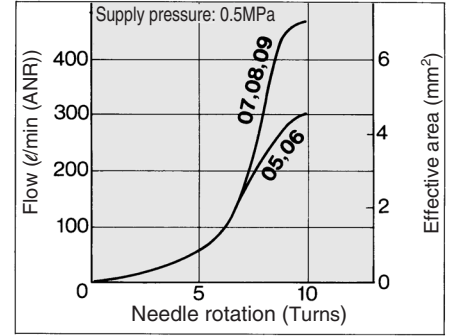
AS1001F



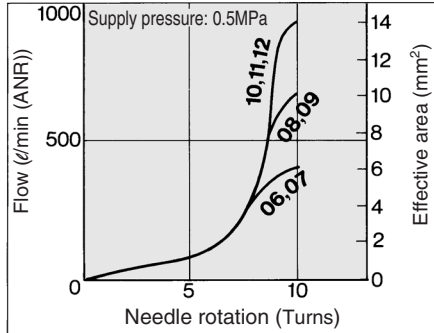
AS2001F



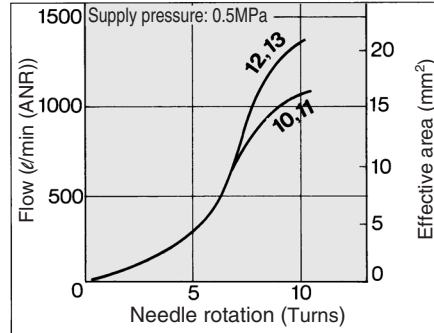
AS2051F



AS3001F

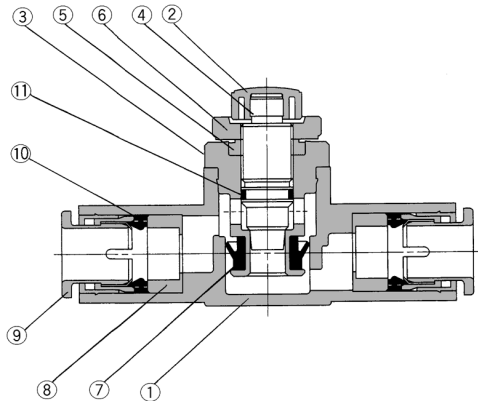


AS4001F



With One-touch Fittings: In-line Style *Series AS*

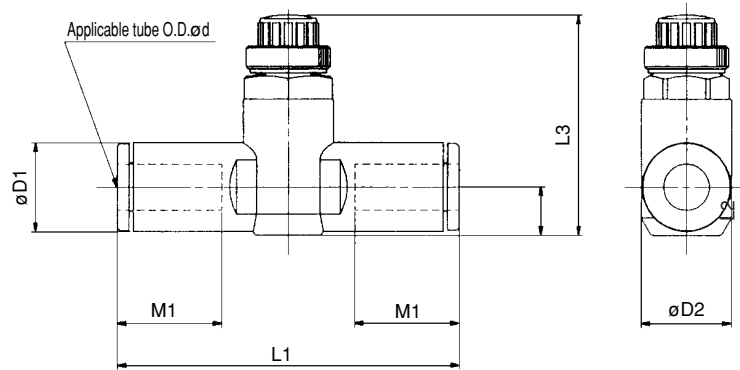
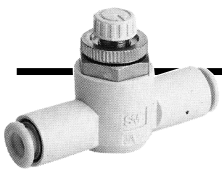
Construction



Component Parts

No.	Description	Material	Note
①	Body A	PBT	
②	Handle	PBT	
③	Body B	Brass	Electroless nickel plated
④	Needle	Brass	Electroless nickel plated
⑤	Needle guide	Brass	Electroless nickel plated
⑥	Lock nut	Brass ⁽¹⁾	Electroless nickel plated
⑦	U-packing	NBR	
⑧	Spacer	Brass ⁽²⁾	
⑨	Cassette	POM, Stainless steel	
⑩	Packing	NBR	
⑪	O ring	NBR	

Note 1) AS2 □□1F: Steel
 Note 2) ø3.2, ø4, ø6, ø1/8", ø5/32" (Except for AS3001F-006): POM



Metric

Model	Tube O.D. d	D1	D2	L1	L2	L3		M1	Weight (g)
						MAX.	MIN.		
AS1001F-23	3.2	8.4	10	38.0	4.5	23.5	20.7	12.7	6
AS1001F-04	4	9.3		39.2	5.2	24.2	21.4	7	
AS1001F-06	6	11.6		40.7	6.2	25.2	22.4	13.5	8
AS2001F-04	4	9.3	11.8	40.7	5.2	32.6	27.6	12.7	12
AS2001F-06	6	11.6		44.8	6.3	33.7	28.7	13.5	13
AS2051F-06	6	12.8	14.8	53.2	6.7	35.2	30.2	17	26
AS2051F-08	8	15.2		59.8	8.1	36.5	31.5	18	31
AS3001F-06	6	12.8	19.8	59	7.4	38.3	33.3	17	18
AS3001F-08	8	15.2		64.4	8.2	39.1	34.1	18	21
AS3001F-10	10	18.5		71.6	9.8	40.6	35.6	21	32
AS3001F-12	12	20.9	26.5	76	11	41.8	36.8	22	33
AS4001F-10	10	18.5		82	11.3	51.1	43.6	21	36
AS4001F-12	12	20.9				52.1	44.6	22	40

Inch

Model	Tube O.D. d	D1	D2	L1	L2	L3		M1	Weight (g)
						MAX.	MIN.		
AS1001F-01	1/8"	8.4	10	38	4.5	23.5	20.7	12.7	6
AS1001F-03	5/32"	9.3		39.2	5.2	24.2	21.4	7	
AS2001F-03	5/32"	9.3	11.8	40.7	5.2	32.6	27.6	12.7	12
AS2001F-05	3/16"	11.4		50	6.2	33.6	28.6	16.5	18
AS2001F-07	1/4"	13.2	14.8	52.2	7.1	34.5	29.5	17	21
AS2051F-05	3/16"	11.4		52.2	6.2	34.6	29.6	16.5	24
AS2051F-07	1/4"	13.2	19.8	54.4	7.1	35.5	30.5	17	26
AS2051F-09	5/16"	15.2		59.8	8.1	36.5	31.5	18	31
AS3001F-07	1/4"	13.2	19.8	59	7.4	38.3	33.3	17	42
AS3001F-09	5/16"	15.2		64.4	8.2	39.1	34.1	18	46
AS3001F-11	3/8"	17.9	26.5	70.8	9.5	40.3	35.3	21	53
AS4001F-11	3/8"	17.9		76.9	10.3	51	43.5	21	97
AS4001F-13	1/2"	21.7		83.1	11.6	52.4	44.9	22	106

In-line Style

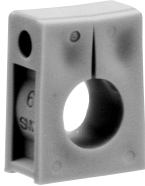
File	Model	Detail No.					
		Tube O.D.					
		3.2	4	6	8	10	12
SAS01F1N	AS1001F-□	#1	#2	#3	—	—	—
	AS2001F-□	—	#4	#5	—	—	—
	AS2051F-□	—	—	#6	#7	—	—
	AS3001F-□	—	—	—	#8	#9	#10
	AS4001F-□	—	—	—	—	#12	#13

Holder Series *TMH*

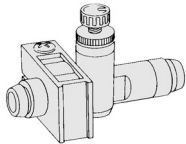


A holder for securing a speed controller (in-line style) with a One-touch fitting.

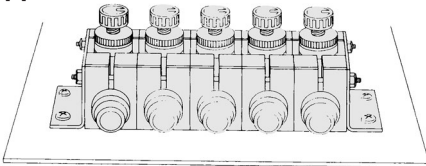
Universal mounting



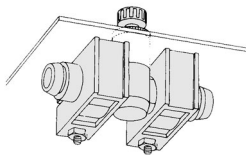
The holder can be used to secure an individual part.



Adaptable for a manifold application.⁽¹⁾



Can be mounted to a panel.



Specifications

Ambient temperature	-20 to 60°C
Material	Polypropylene
Color	White

Accessory: Round head Phillips screw for mounting (Black zinc chromated).

Model		Size (nominal X height)	Piece
Metric	Inch		
TMH-23J	TMH-01J	M3 X 15	1
TMH-04J	TMH-03J		
TMH-06J	TMH-05		
TMH-06	TMH-07	M3 X 20	
TMH-08	TMH-09	M4 X 25	
TMH-10	TMH-11	M4 X 35	
TMH-12	TMH-13		

Correspondence of In-line Speed Controller and Holder

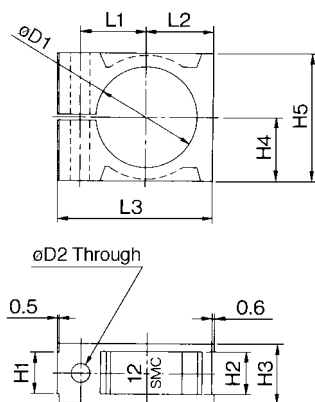
Metric

Body size	Tube size	Applicable tube					
		23	04	06	08	10	12
		ø3.2	ø4	ø6	ø8	ø10	ø12
AS1001F	TMH-23J						
AS2001F							
AS2051F							
AS3001F							
AS4001F							

Inch

Body size	Tube size	Applicable tube						
		01	03	05	07	09	11	13
		ø1/8"	ø5/32"	ø3/16"	ø1/4"	ø5/16"	ø3/8"	ø1/2"
AS1001F	TMH-01J							
AS2001F								
AS2051F								
AS3001F								
AS4001F								

Dimensions



Model		øD1	øD2	H1	H2	H3	H4	H5	L1	L2	L3	Symbol
Metric	Inch											
TMH-23J	TMH-01J	8.4	3.3	4.5	4.6	7.5	6	12	7.2	6.6	18	1/8J
TMH-04J	TMH-03J	9.3		1/32J								
—	TMH-05	11.7	3.3	6.3	6.4	9.3	7.7	15.4	8.5	8.3	21	3/16
TMH-06J	—	11.6		6								
—	TMH-07	13.1	4.3	7.1	7.2	11	10	20	11	10.6	26.5	1/4
TMH-08	TMH-09	15.5		8								
TMH-10	—	18.5	4.3	9.5	9.6	14	14	28	14.2	14.6	34	5/16
—	TMH-11	18.8										10
TMH-12	—	21.2	4.3	9.5	9.6	14	14	28	14.2	14.6	34	12
—	TMH-13	22										1/2

Note 1) Mounting bracket is not available. This is an application example.

Dual Speed Controller with One-touch Fittings Series ASD



Enables bi-directional flow control.
Unrestricted 360° tube mounting direction.
Stable speed control possible even
with fluctuating loads.



Model

Model	Port size	Applicable tube O.D.													
		Metric					Inch								
		ø4	ø6	ø8	ø10	ø12	ø1/8"	ø5/32"	ø3/16"	ø1/4"	ø5/16"	ø3/8"			
ASD230F-M5	M5	●	●												
ASD330F-01	R(PT)1/8		●	●											
ASD430F-02	R(PT)1/4		●	●	●										
ASD530F-02	R(PT)1/4		●	●	●	●									
ASD530F-03	R(PT)3/8		●	●	●	●									
ASD630F-04	R(PT)1/2				●	●									
ASD230F-U10/32	10-32 UNF					●	●	●							
ASD330F-N01	NPT1/8								●	●	●				
ASD430F-N02	NPT1/4									●	●	●			
ASD530F-N02	NPT1/4									●	●	●			
ASD530F-N03	NPT3/8									●	●	●			
ASD630F-N04	NPT1/2											●			

Specifications

Proof pressure	1.5MPa
Max. operating pressure	1MPa
Min. operating pressure	0.1MPa
Ambient and fluid temperature	-5 to 60°C (No freezing)
Needle rotation cycles	10 turns (8 turns ⁽¹⁾)
Tube material ⁽²⁾	Nylon, Soft nylon, Polyurethane
Option	Hexagon lock nut



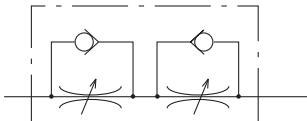
Note 1) In case of ASD230F.

Note 2) Use caution regarding the max. operating pressure when soft nylon or polyurethane tubing is used.

Note 3) Brass parts are all electroless nickel plated.

The lock nut on the meter-out type is zinc chromated, while the meter-in type is black zinc chromate plated.

JIS symbol



Symbol indication of flow direction on the body

	Meter-out	Meter-in
Symbol		
JIS Symbol		

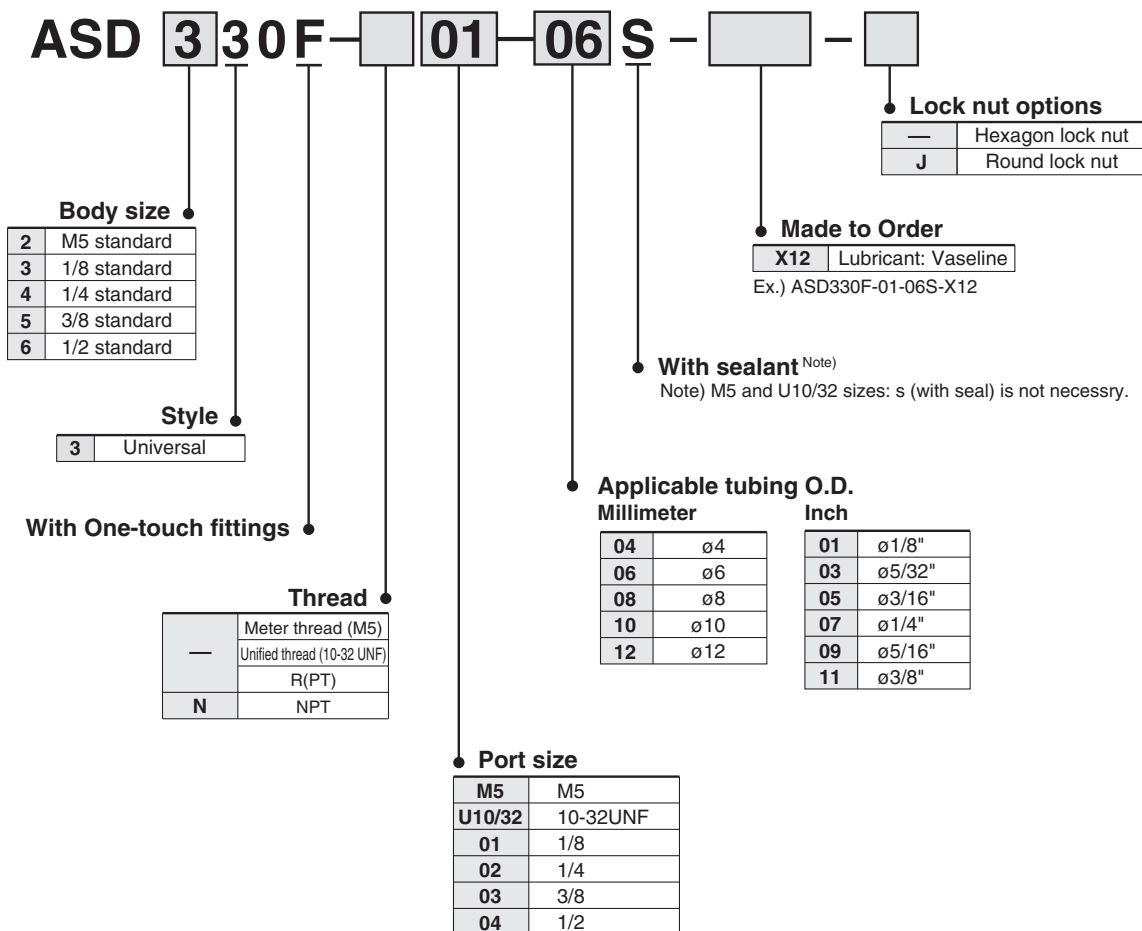
Air Flow/Effective Area

Model	ASD230F		ASD330F		ASD430F		ASD530F			ASD630F	
	Metric	ø4, ø6	ø6, ø8	ø6	ø8, ø10	ø6	ø8	ø10, ø12	ø10	ø12	
Tube O.D.	Metric	ø1/8"	ø3/16"	—	ø1/4"	ø1/4"	ø5/16"	ø3/8"	—	ø3/8"	
	Inch	ø5/32"	ø1/4"	—	ø5/16"	ø3/8"	—	—	—	—	
Controlled (free)/Flow	Air flow (l/min(ANR))	75	175	295	350	500	600	700	1200	1300	
	Eff. area (mm ²)	1.1	2.7	4.5	5.3	7.6	9.1	10.7	18.3	19.8	



Note 1) Max. operating pressure: 0.5MPa, Temperature: 20°C

How to Order

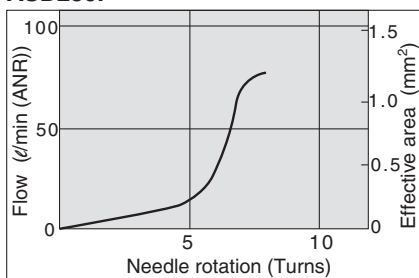


Made to Order

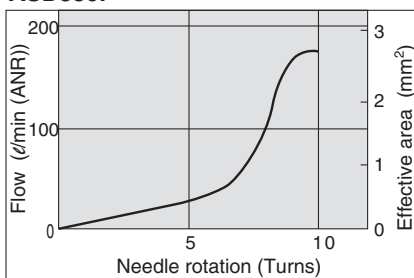
1 Lubricant: Vaseline **X12**

Needle Valve/Flow Characteristics

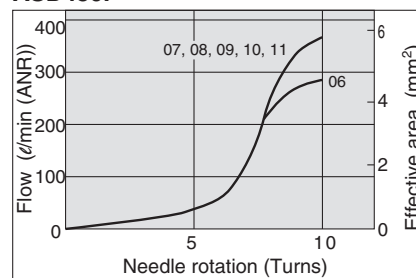
ASD230F



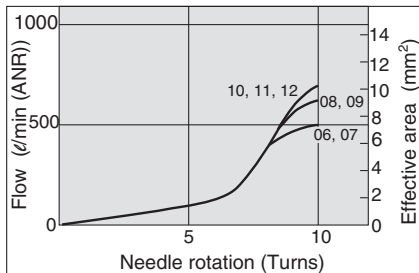
ASD330F



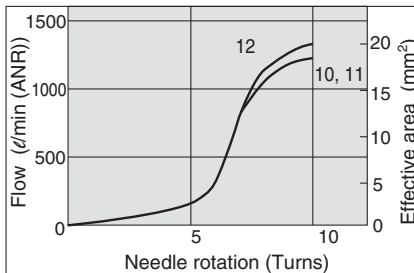
ASD430F



ASD530F



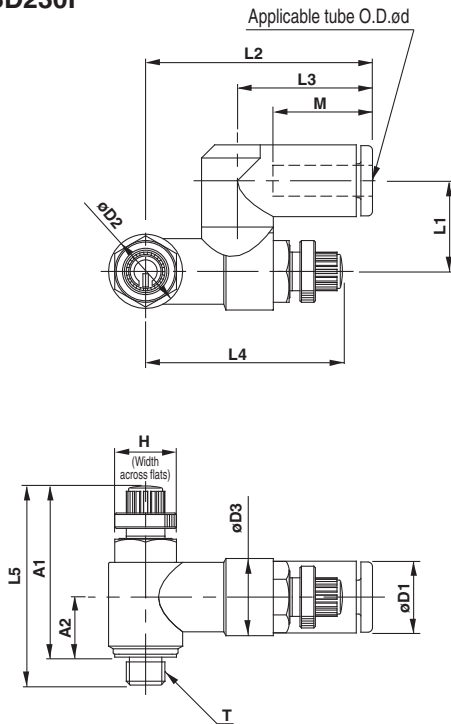
ASD630F



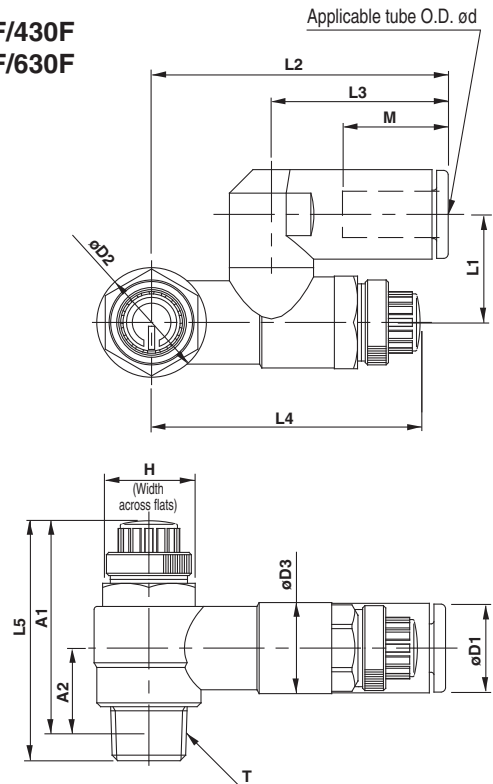
Dual Speed Controller with One-touch Fittings *Series ASD*

Dimensions/Metric

ASD230F



**ASD330F/430F
ASD530F/630F**



Metric

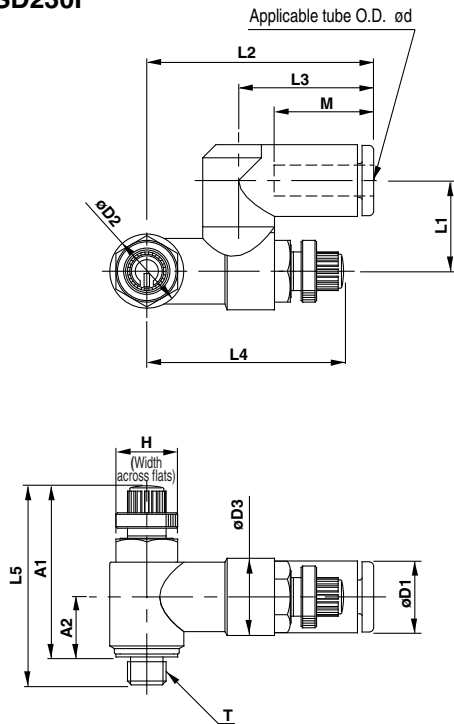
Model	d	T	H	D1	D2	D3	L1	L2	L3	L4		L5		A1*		A2*	M	Weight (g)
										MAX.	MIN.	MAX.	MIN.	MAX.	MIN.			
ASD230F-M5-04	4	M5	8	9.3	9.6	10	11.7	29.4	17.5	28.3	25.5	28.6	25.8	25	22.2	7.8	12.9	12
ASD230F-M5-06	6			11.6				20.6	13.7								13	
ASD330F-01-06S	6	R(PT)1/8	12	11.6	14.2	11.8	14	38.5	22.9	39.6	34.6	35.2	30.2	32.1	27.1	10.6	13.7	29
ASD330F-01-08S	8			15.2				33.9	18.5								31	
ASD430F-02-06S	6	R(PT)1/4	17	12.8	18.5	15	18	43.5	25.2	41.7	36.7	39.9	34.9	34.4	29.4	11	17	53
ASD430F-02-08S	8			15.2				28.2	18.5								31	
ASD430F-02-10S	10			18.5				31	19.7								49.3	31
ASD530F-02-06S	6	R(PT)1/4	19	12.8	23	19.8	20.3	48.3	25.2	46.9	41.9	48.3	43.3	42.8	37.8	15.4	17	74
ASD530F-02-08S	8			15.2				28.2	19.7								49.3	31
ASD530F-02-10S	10			18.5				32.6	20.3								51.3	28.2
ASD530F-02-12S	12			20.9				34.4	23.1								54.1	32.6
ASD530F-03-06S	6	R(PT)3/8	19	12.8	23	19.8	20.3	48.3	25.2	46.9	41.9	45.4	40.4	40	35	14	17	74
ASD530F-03-08S	8			15.2				28.2	20.3								51.3	28.2
ASD530F-03-10S	10			18.5				32.6	23.1								54.1	32.6
ASD530F-03-12S	12			20.9				34.4	23.1								55.9	34.4
ASD630F-04-10S	10	R(PT)1/2	24	18.5	28.6	26.5	25.9	64.3	32.6	64.8	57.3	56.7	49.2	49.6	42.1	18.6	21	177
ASD630F-04-12S	12			20.9				34.4	25.9								66.1	34.4

*Reference dimensions of M5, R(PT) thread after being screwed in.

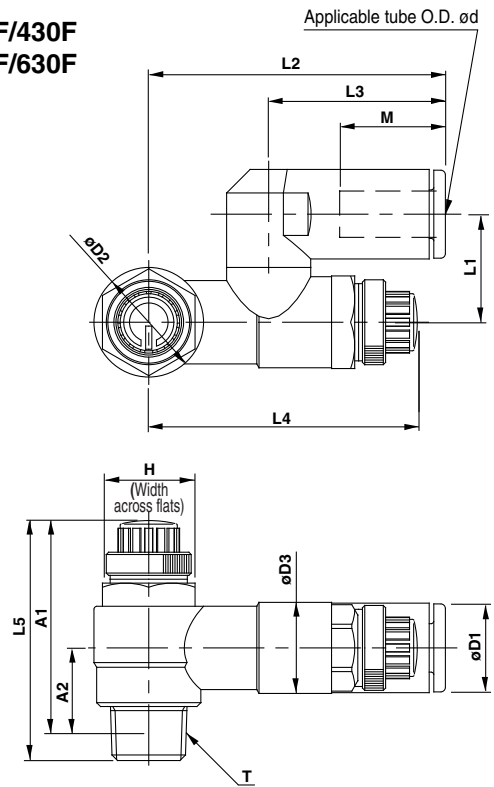
Series ASD

Dimensions/Inch

ASD230F



**ASD330F/430F
ASD530F/630F**



Inch Size

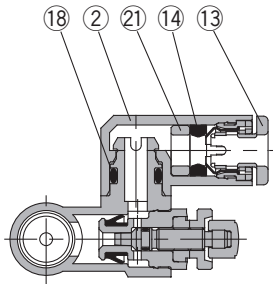
Model	d	T	H	D1	D2	D3	L1	L2	L3	L4		L5		A1*		A2*	M	Weight (g)
										Max.	Min.	Max.	Min.	Max.	Min.			
ASD230F-U10/32-01	1/8"	10-32 UNF	8	8.4	9.6	10	11.7	29.4	17.5	28.3	25.5	28.6	25.8	25	22.2	7.8	12.9	12
ASD230F-U10/32-03	5/32"	UNF	8	9.3														13
ASD230F-U10/32-05	3/16"	10-32 UNF	8	11.4	9.6	10	11.7	35.2	23.3	28.3	25.5	28.6	25.8	25	22.2	7.8	16.5	15
ASD230F-U10/32-07	1/4"	UNF		12				32.6	20.7									13.5
ASD330F-N01-05S	3/16"	NPT 1/8	12.7	11.6	14.2	11.8	14	39.5	23.9	39.6	34.6	35.2	30.2	32	27	10.6	16.5	30
ASD330F-N01-07S	1/4"			13.2			42.2	25.6	38.9	33.9	17							
ASD330F-N01-09S	5/16"			15.2			44.8	28.2	18.5									
ASD430F-N02-07S	1/4"	NPT 1/4	17.5	13.2	18.5	15	18	43.9	25.6	41.7	36.7	39.9	34.9	34.6	29.6	11	17	55
ASD430F-N02-09S	5/16"			15.2			46.5	28.2	18.5									
ASD430F-N02-11S	3/8"			18.5			19.7	49.3	31									21
ASD530F-N02-07S	1/4"	NPT 1/4	19	13.2	23	19.8	20.3	48.7	25.6	46.9	41.9	48.3	43.3	43	38	15.4	17	76
ASD530F-N02-09S	5/16"			15.2			51.3	28.2	18.5									
ASD530F-N02-11S	3/8"			18.5			23.1	54.1	32.6									21
ASD530F-N03-07S	1/4"	NPT 3/8	19	13.2	23	19.8	20.3	48.7	25.6	46.9	41.9	45.4	40.4	40.3	35.3	14	17	93
ASD530F-N03-09S	5/16"			15.2			51.3	28.2	18.5									
ASD530F-N03-11S	3/8"			18.5			23.1	54.1	32.6									21
ASD630F-N04-11S	3/8"	NPT 1/2	23.8	18.5	28.6	26.5	25.9	64.3	32.6	64.8	57.3	56.7	49.2	49.6	42.1	18.6	21	180

*Reference dimensions of M5, R(PT) thread after being screwed in.

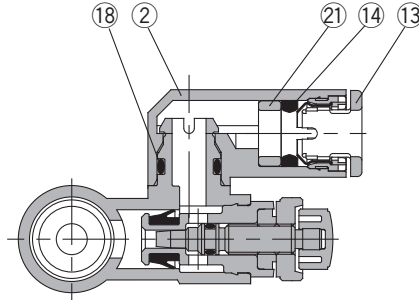
Dual Speed Controller with One-touch Fittings *Series ASD*

Construction

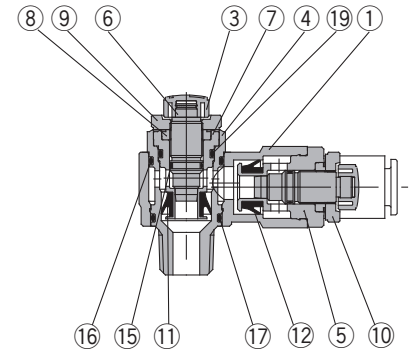
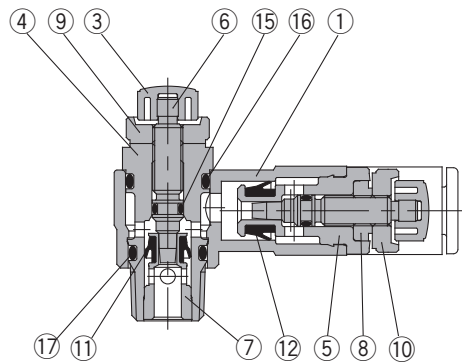
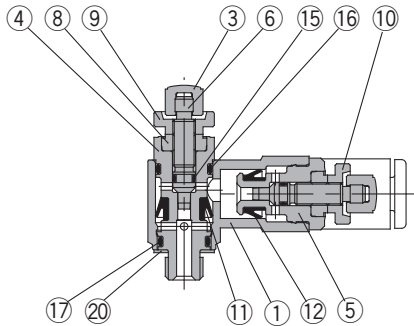
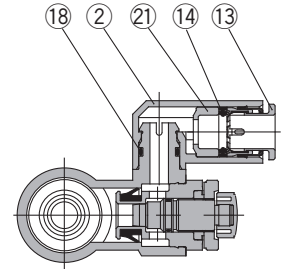
ASD230F



ASD330F/430F ASD530F/630F



ASD530F-02



Component Parts

No.	Description	Material	Note
①	Body A	PBT	
②	Elbow body	PBT	
③	Handle	PBT	
④	Body B	Brass	Electroless nickel plated
⑤	Body B	Brass	Electroless nickel plated
⑥	Needle	Brass	Electroless nickel plated
⑦	Seat ring	Brass	Electroless nickel plated
⑧	Needle guide	Brass	Electroless nickel plated
⑨	Lock nut	Brass ⁽³⁾	Electroless nickel plated
⑩	Lock nut	Brass ⁽³⁾	Black zinc chromated

Component Parts

No.	Description	Material	Note
⑪	U packing	HNBR	
⑫	U packing	HNBR	
⑬	Cassette	—	
⑭	Packing	NBR	
⑮	O ring	NBR	
⑯	O ring	NBR	
⑰	O ring	NBR	
⑱	O ring	NBR	
⑲	O ring	NBR	
⑳	Gasket	Stainless, NBR	ASD230F only
㉑	Spacer	—	

 Note 1) ASD330 F and 430F: Steel

Speed Controller Standard

Series AS

Metal Body Elbow Style



Minimizes installation time and cost
Fittings and tubes are not necessary because this type screws directly into the actuator. Thus, piping labour and cost can be eliminated.

Body swivels 360°
Swivel type allows free setting of piping.

Speed can be accurately controlled even at low speeds.

Constant speed control is possible. Retainer prevents accidental loss of needle



Specifications

Specifications	Model	AS1200-M3	AS1400-M3	AS12□0-M5	AS12□0-U10/32	AS22□0-01	AS22□0-02	AS32□0-03	AS42□0-04
Port size		M3		M5	10-32UNF	1/8	1/4	3/8	1/2
Applicable cylinder bore size (mm)		2.5, 4, 6		6, 10, 15, 20, 25		20, 25, 32, 40		32, 40, 50, 63, 80, 100	
Proof pressure		1.05MPa		1.5MPa					
Max. operating pressure		0.7MPa		1MPa					
Min. operating pressure		0.1MPa		0.1MPa					
Ambient and fluid temperature		-5 to 60°C (No freezing)							
Number of needle rotations		10 turns		8 turns		10 turns			
Option		—		Hexagonal lock nut		Sealant, Hexagonal lock nut, Nickel plated			
Weight (g)		3	6	10		29	64	106	181
Controlled flow	Air flow (l/min(ANR))	20		105		230	460	920	1700
	(Free flow) Effective area (mm ²)	0.3		1.6		3.5	7	14	26

Note 1) Supply pressure: 0.5MPa. Temperature: 20°C.

Note 2) Meter-in type not available on AS1200-M3, AS1400-M3

Note 3) Distinction between meter-out/meter-in types by appearance.

They are distinguished by the lock nut. The meter-out types is zinc chromated, while the meter-in type is black zinc chromate plated.

Note 4) AS12□0, AS1400, AS22□0: Brass parts are electroless nickel plated, provided as standard (N specification).

How to Order

AS 2 2 0 0 - [] 01 - S [] - []

Body size

1	M3, M5
2	1/8, 1/4
3	3/8
4	1/2

Style

2	Direct connection elbow
4	Direct connection flat elbow

Controlled

0	Meter-out
1	Meter-in

Thread

Symbol	Cylinder side	Tubing side
-	R(PT)	Rc(PT)
	Metric thread (M3, M5)	
	Unified thread (10-32UNF)	
N	NPT	
F	G*	

* Male thread comes with R thread

Made to Order

Lock nut option

-	Hexagon lock nut
J	Round lock nut

Options

-	None
S	Sealant
N	Electroless nickel plated (AS42□0 Only)

*Indicate symbols in alphabetical order if two options or more desired.

Port size

Symbol	Port size	Model
M3	M3	AS1200-M3 AS1400-M3
M5	M5	AS12□0-M5
U10/32	10-32UNF	AS12□0-U10/32
01	1/8	AS22□0-01
02	1/4	AS22□0-02
03	3/8	AS32□0-03
04	1/2	AS42□0-04

Standard: Metal Body Elbow Style *Series AS*

Made to Order

1 Lubricant: Vaseline **X12**

2 Grease-free (Seal: Fluorine Coating) + Throttle Valve (Without Check Valve) **X21**

Ex.) AS2200-01-X12

Ex.) AS2200-01-X21

Note 1) Not particle-free

Note 2) Throttle valve is only compatible with the part no. of the meter-out type.

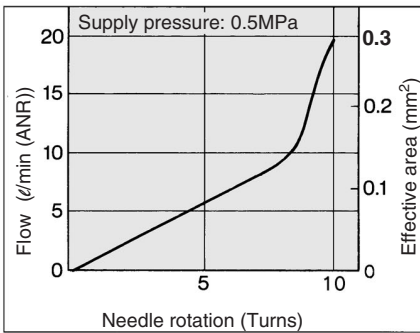
3 Throttle Valve (Without Check Valve) **X214**

Ex.) AS2200-01-X214

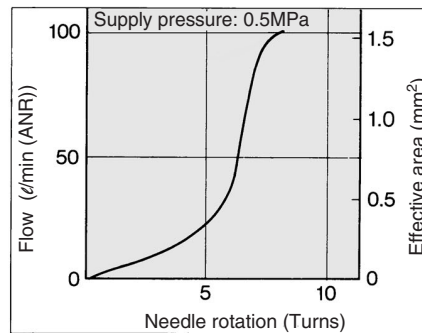
Note) Throttle valve is only compatible with the part no. of the meter-out type.

Needle Valve/Flow Characteristics

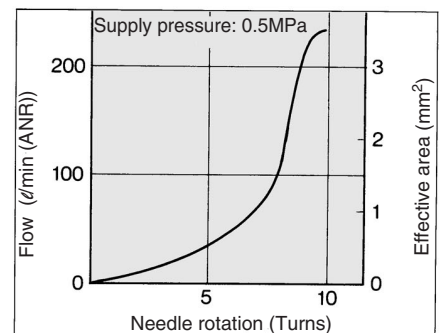
AS1200-M3, AS1400-M3



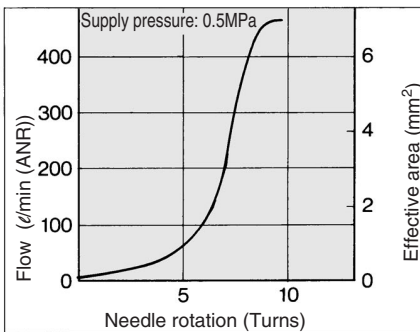
AS12□0-M5, AS12□0-U10/32



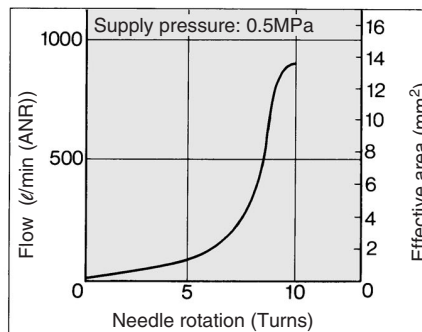
AS22□0-01



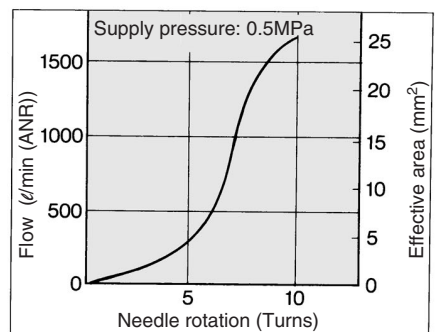
AS22□0-02



AS32□0

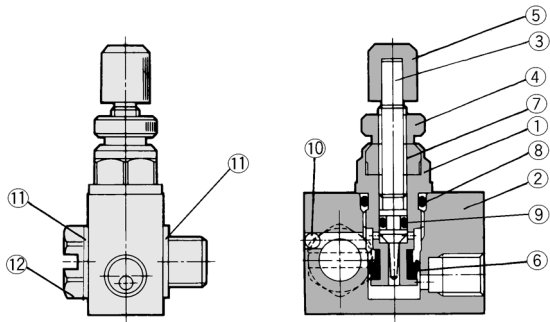


AS42□0



Series AS

AS1400-M3/Construction



Component Parts

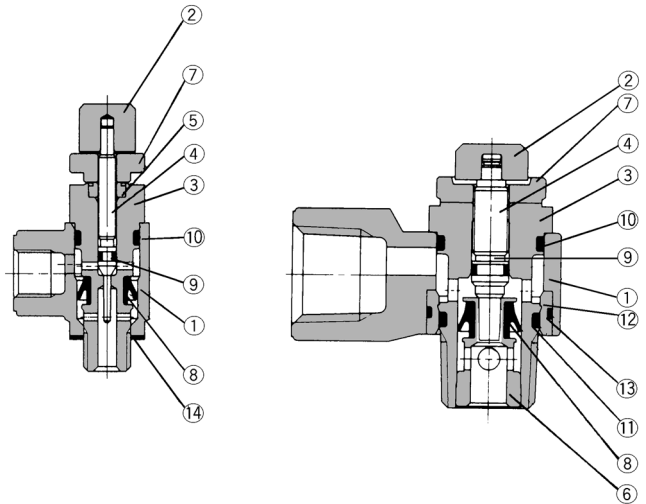
No.	Description	Material	Note
①	Body B	Brass	Electroless nickel plated
②	Body A	Brass	Electroless nickel plated
③	Needle	Brass	Electroless nickel plated
④	Lock nut	Steel	Zinc chromated
⑤	Handle	Brass	Electroless nickel plated
⑥	U-packing	NBR	
⑦	Needle guide	Brass	Electroless nickel plated
⑧	O ring	NBR	
⑨	O ring	NBR	
⑩	Steel ball	Chromium bearing steel	
⑪	Gasket	PVC	
⑫	Joint	Brass	Electroless nickel plated

AS1200-M3, AS12□0-M5, AS22□0/32□0/42□0/Construction

Meter out

AS1200-M3, M5, U10/32

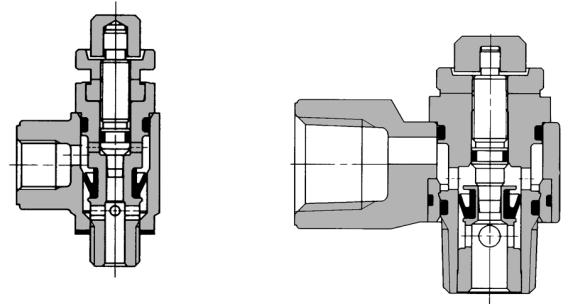
AS2200/3200/4200



Meter in

AS1210-M5, U10/32

AS2210/3210/4210



Component Parts

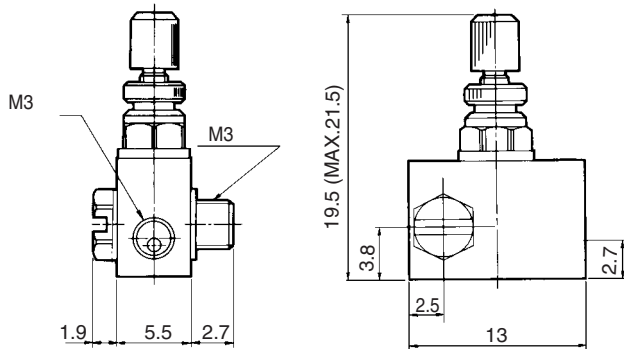
No.	Description	Material	Note
①	Body A	Zinc alloy	
②	Handle	Brass	Electroless nickel plated
③	Body B	Brass	Electroless nickel plated
④	Needle	Brass	Electroless nickel plated
⑤	Needle guide	Brass	Electroless nickel plated
⑥	Seat ring	Brass	Electroless nickel plated ⁽¹⁾
⑦	Lock nut	Steel	Zinc chromated ⁽²⁾
⑧	U-seal	HNBR	
⑨	O ring	NBR	
⑩	O ring	NBR	
⑪	O ring	NBR	
⑫	Bush	PBT	01 to 04 type
⑬	O ring	NBR	01 to 04 type
⑭	Gasket	PVC	M3 type
		NBR, Stainless steel	M5, U10/32 types

Note 1) AS42□0 only: Option symbol "N" addition is electroless nickel plated.

Note 2) Meter-in type: Black zinc chromated

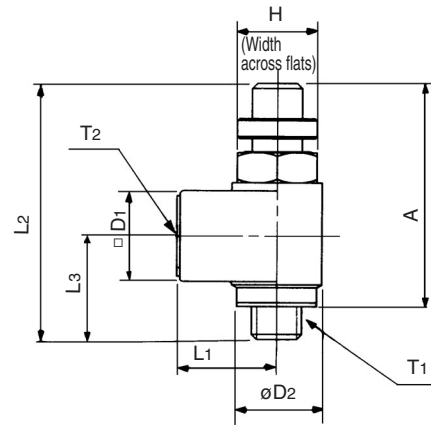
Standard: Metal Body Elbow Style *Series AS*

AS1400-M3/Dimensions

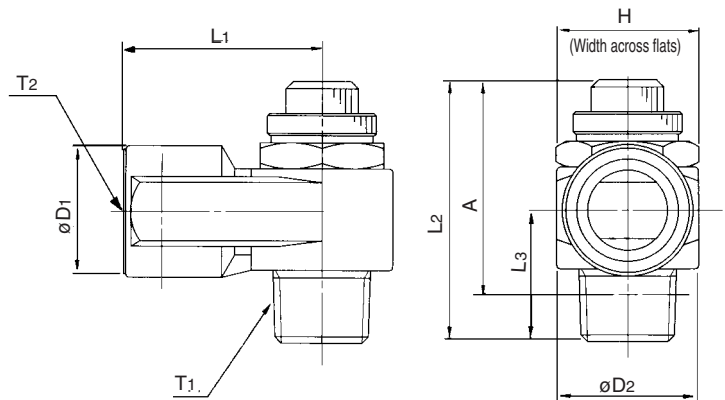


AS-1200-M3, AS12□0-M5, AS22□0, 32□0, 42□0/Dimensions

AS1200-M3 AS12□0-M5



AS22□0/32□0/42□0



Dimensions

Model	T1	T2	H ⁽¹⁾	L1	L2		L3	D1	D2	A	
					MAX.	MIN.				MAX.	MIN.
AS1200-M3	M3	M3	4.5	6.6	23.5	21.5	8	5	5	20.5	18.5
AS1200-M5	M5	M5	8	10	28.3	25.5	10.3	9	9	25	22.2
AS1200-U10/32	10-32UNF	10-32UNF									
AS22□0-01	1/8	1/8	12(12.7)	18	35.5	30.5	13.2	14.3	14.6	32.4	27.4
AS22□0-02	1/4	1/4	17(17.5)	27.2	40.3	35.3	17.5	18	19.5	34.8	29.8
AS32□0-03	3/8	3/8	19	30	45.8	40.8	19.7	22.5	24.3	40.6	35.6
AS42□0-04	1/2	1/2	24(23.8)	38.5	54.7	49.7	25.8	27.5	28.5	47.4	42.4

Note 1) () are the dimensions of "NPT" thread.

Speed Controller Standard Series AS

In-line Style

RoHS

Compact size saves space.
Speed may be accurately controlled even at low speeds.
Constant speed easily set.
Retainer prevents accidental loss of needle.



Model

Model	Port size	Free flow		Controlled flow		Applicable cylinder bore size (mm)	Weight (g)
		Air flow (l/min(ANR))	Effective area (mm ²)	Air flow (l/min(ANR))	Effective area (mm ²)		
AS1000-M3	M3	20	0.3	20	0.3	2.5, 4, 6	4.7
AS1000-M5	M5	90	1.4	80	1.2	6, 10, 16, 20, 25	33
AS2000-01	1/8	340	5.2	250	3.8	20, 25, 32, 40	90
AS2000-02	1/4	340	5.2	250	3.8		115
AS3000-02	1/4	810	12.3	810	12.3	32, 40, 50, 63	130
AS3000-03	3/8	810	12.3	810	12.3		124
AS4000-02	1/4	1,670	25.5	1,670	25.5	40, 50, 63 80, 100	221
AS4000-03	3/8	1,670	25.5	1,670	25.5		214
AS4000-04	1/2	1,670	25.5	1,670	25.5		205
AS5000-02	1/4	2,840	44	2,840	44	40, 50, 63 80, 100	242
AS5000-03	3/8	4,270	66	4,270	66		233
AS5000-04	1/2	4,270	66	4,270	66		224

Note) Supply pressure: 0.5MPa, Temperature: 20°C.

Specifications

Proof pressure ⁽¹⁾	1.5MPa (1.05MPa)
Max. operating pressure ⁽¹⁾	1MPa (0.7MPa)
Min. operating pressure ⁽¹⁾	0.05MPa (0.1MPa)
Ambient and fluid temperature	-5 to 60°C (No freezing)
Number of needle rotation ⁽¹⁾	8 turns (10 turns)

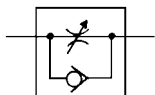
Note 1) (): Values for AS1000.

Accessories

Description	Part No.	Applicable model
Nipple	M-5N	AS1000

Note) AS1000 with nipple: AS1000-M5-N

Symbol JIS



How to Order

E AS 1 000 - [] M5 [] []

- Body size**

1	M3, M5
2	1/8, 1/4
3	3/8
4	1/2
5	1/2
- Ordering source area code**

-	Japan, Asia Australia
E	Europe
N	North America
- Thread**

-	M3, M5
N	NPT
F	G (PF)
- Lock nut option**

-	Hexagon lock nut
J ⁽³⁾	Round lock nut

Note 3) Only for AS1000
- Option**

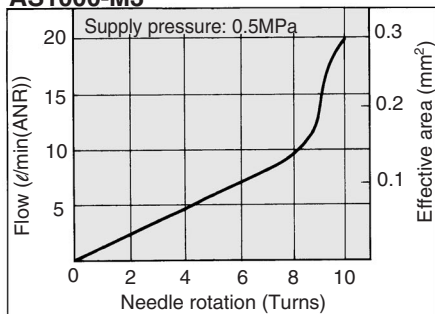
H ⁽¹⁾	High temperature (-5 to 80°C)
L ⁽²⁾	Low temperature (-30 to 60°C)

Note 1) AS5000 is available as special AS1000 is not applicable
Note 2) AS1000, AS2000 are not applicable
- Port size**

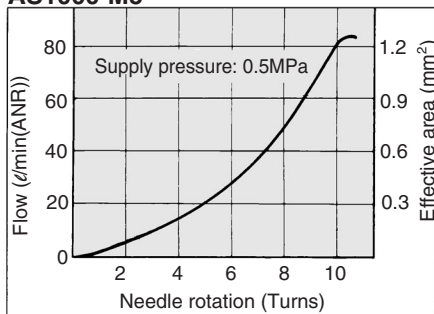
Port size	Applicable model
M3	M3 AS1000
M5	M5 AS1000
01	1/8 AS2000
02	1/4 AS2000, 3000, 4000, 5000
03	3/8 AS3000, 4000, 5000
04	1/2 AS4000, 5000

Needle Valve/Flow Characteristics

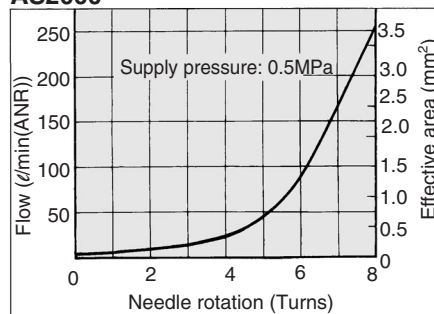
AS1000-M3



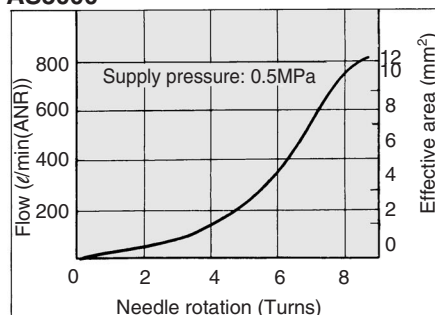
AS1000-M5



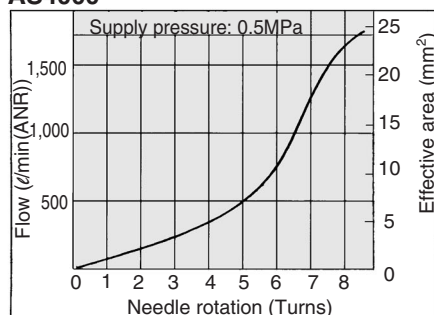
AS2000



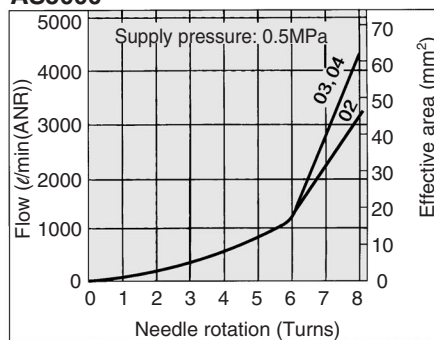
AS3000



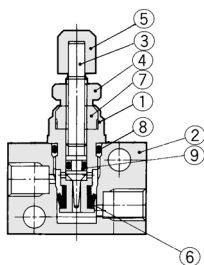
AS4000



AS5000



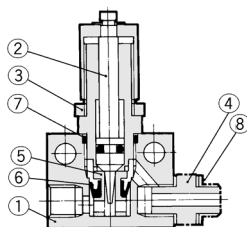
AS1000-M3/Construction



Component Parts

No.	Description	Material	Note
①	Body B	Brass	Electroless nickel plated
②	Body	Brass	Electroless nickel plated
③	Needle	Brass	Electroless nickel plated
④	Lock nut	Steel	Zinc chromated
⑤	Handle	Brass	Electroless nickel plated
⑥	U seal	HNBR	
⑦	Needle guide	Brass	Electroless nickel plated
⑧	O ring	NBR	4.5 X 3 X 0.75
⑨	O ring	NBR	2.2 X 0.8 X 0.7

AS1000-M5/Construction



Component Parts

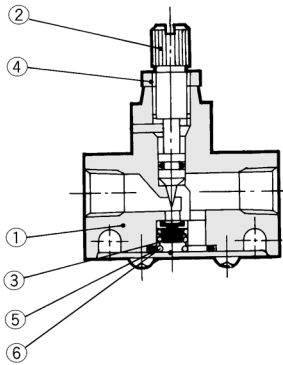
No.	Description	Material
①	Body	Zinc alloy
②	Needle	Stainless steel
③	Lock nut*	Steel
④	Nipple	Stainless steel

*Zinc chromated

No.	Description	Material
⑤	Valve seat	Brass
⑥	U-packing	NBR
⑦	O ring	NBR
⑧	Gasket	PVC

Series AS

AS2000, 3000/Construction

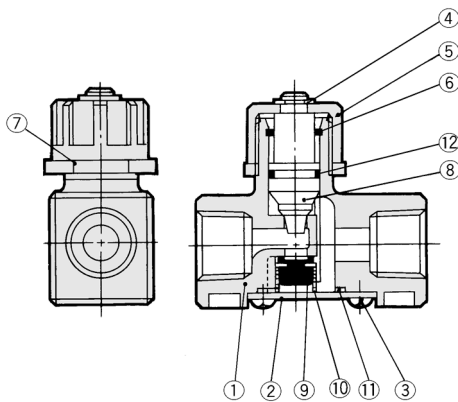


Component Parts

No.	Description	Model	
		AS2000	AS3000
①	Body	Zinc alloy	Aluminum alloy
②	Needle*	Brass	Brass
④	Lock nut*	Brass	Carbon steel
③	Valve		
⑤	O ring		
⑥	Spring		

*Electroless nickel plated

AS4000/Construction

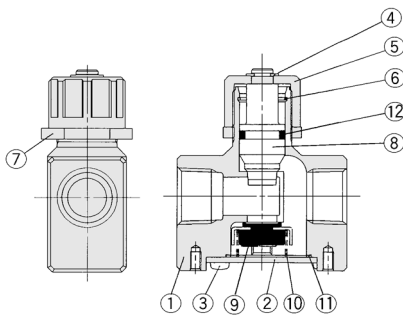


Component Parts

No.	Description	Material	Note
①	Body	Aluminum alloy	Chromated
②	Cap	Rolled steel	Zinc chromated
③	Head cap screw	Steel wire	4 X 0.7 X 8
④	E type snap ring	Stainless steel	JIS B2805 Nominal 6
⑤	Handle	Zinc	Chromated
⑥	Ring	Steel wire	Zinc chromated
⑦	Lock nut	Zinc alloy	
⑧	Needle	Aluminum alloy	
⑫	O ring	NBR	

No.	Description	Material
⑨	Valve	NBR, Brass
⑩	Spring	Stainless steel
⑪	O ring	NBR

AS5000/Construction



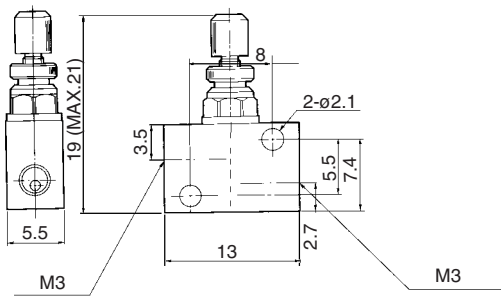
Component Parts

No.	Description	Material	Note
①	Body	Aluminum alloy	Chromated
②	Cap	Rolled steel	Nickel plated
③	Head cap screw	Steel wire	M4 X 8 Nickel plated
④	E type snap ring	Stainless steel	JIS B 2805 Nominal 6
⑤	Handle	Zinc alloy	Chromated
⑥	Ring	Stainless steel	
⑦	Lock nut	Zinc alloy	Chromated
⑧	Needle	Aluminum alloy	Chromated
⑫	O ring	NBR	JIS B2401 P12

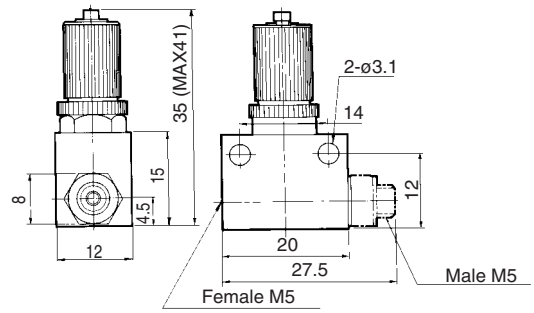
No.	Description	Material
⑨	Valve	NBR, Stainless steel
⑩	Spring	Stainless steel
⑪	Packing	NBR

Standard: In-line Style *Series AS*

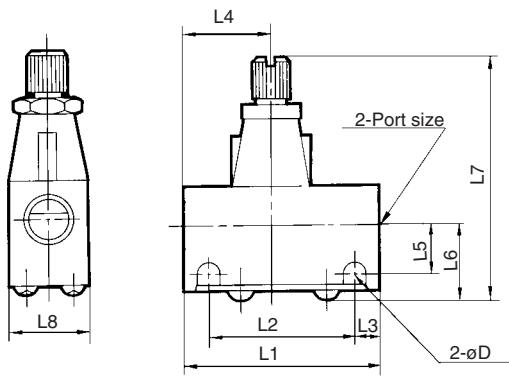
AS1000-M3/Dimensions



AS1000-M5/Dimensions



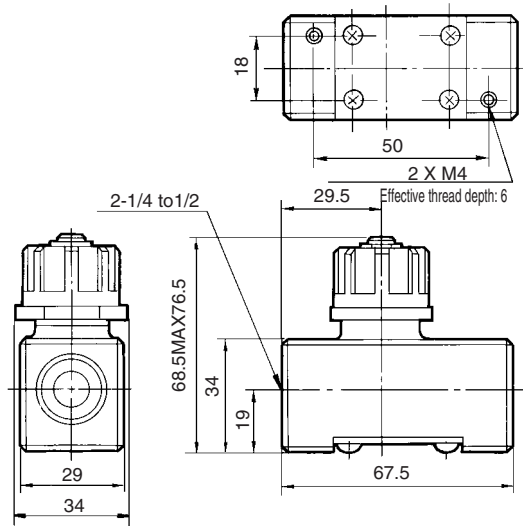
AS2000-3000/Dimensions



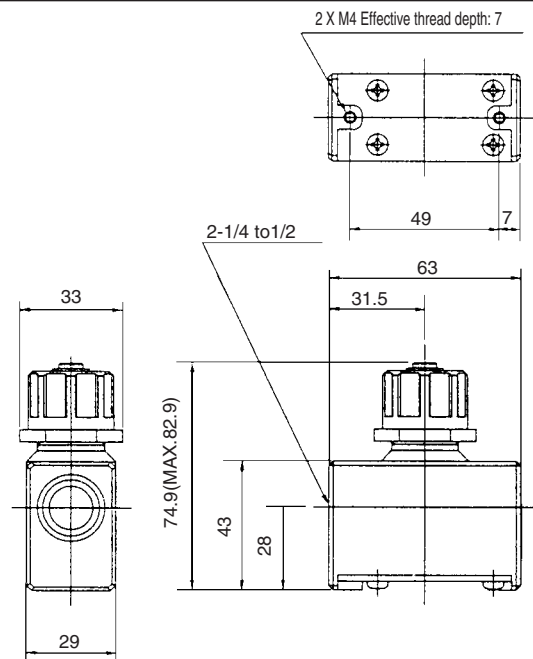
Dimensions

Model	Port size	L1	L2	L3	L4	L5	L6	L7		L8	D
								MAX.	MIN.		
AS2000-01	1/8	40	30	5	17	10	15.5	54.5	50	16	4.5
AS2000-02	1/4	40	30	5	23	11.5	17	56	51.5	20	4.5
AS3000-02, 03	1/4, 3/8	56	45.5	5.25	25	13.2	20.6	68	61	26	5.5

AS4000/Dimensions



AS5000/Dimensions



Speed Controller Standard Series AS

Large Flow In-line Style

RoHS

Constant speed easily set.
Speed may be accurately controlled even at low speeds.
Retainer prevents accidental loss of needle.



Model

Model	Port size	Free flow		Controlled flow		Applicable cylinder bore size (mm)	Weight (kg)
		Air flow (l/min (ANR))	Effective area (mm ²)	Air flow (l/min (ANR))	Effective area (mm ²)		
AS420-02	1/4	2,500	38	3,600	55	63, 80, 100, 125	0.34
AS420-03	3/8	5,000	77	4,800	74		0.33
AS420-04	1/2	6,600	100	6,700	102		0.32
AS500-06	3/4	10,100	154	8,100	123	140, 160, 180, 200	0.36
AS600-10	1	15,100	230	16,900	258	160, 180, 200, 250	0.7
AS800-12	1 1/4	35,400	540	38,500	586	300	1.4
AS900-14	1 1/2	52,000	792	47,500	724		3.3
AS900-20	2	57,800	880	60,800	926		3.3

Note) Supply pressure: 0.5MPa, Temperature: 20°C.

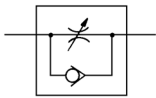
Specifications

Proof pressure	1.5MPa
Max. operating pressure	1MPa
Min. operating pressure	0.05MPa
Ambient and fluid temperature	-5 to 60°C (No freezing)
Number of needle rotations	10 turns (12 turns ⁽¹⁾)

Note 1) (): Values for AS800, AS900.

How to Order

JIS Symbol



E AS 42 0 - 02

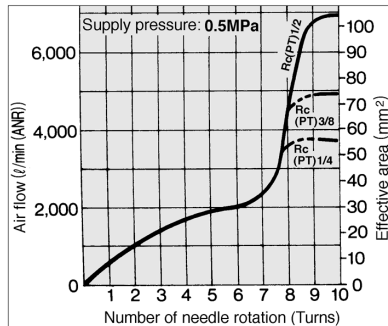
- Area code**
 - Japan, Asia, Australia, North America
 - E** Europe
- Body size**
 - 42 1/2
 - 50 3/4
 - 60 1
 - 80 1 1/4
 - 90 1 1/2
- Port thread**
 - Rc
 - N NPT
 - F G
- Port size**
 - 02 1/4
 - 03 3/8
 - 04 1/2
 - 06 3/4
 - 10 1
 - 12 1 1/4
 - 14 1 1/2
 - 20 2
- Option**
 - None
 - H ⁽¹⁾ High temperature (-5 to 80°C)
 - L ⁽²⁾ Low temperature (-30 to 60°C)

* For Europe select thread G

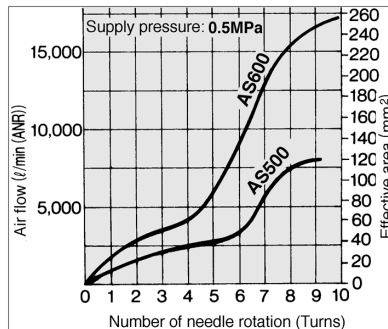
Note 1) AS800 is available as special.
Note 2) AS900 is available as special.

Needle/Flow Characteristics

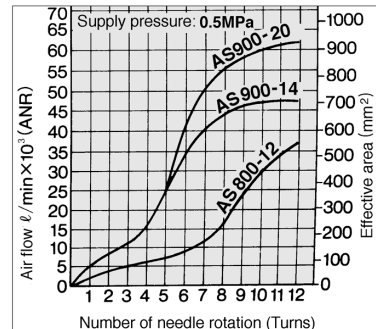
AS420



AS500/600

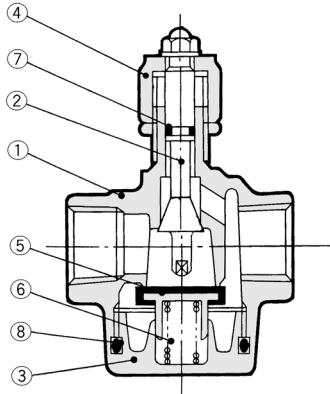


AS800/900



Standard: Large Flow In-line Style *Series AS*

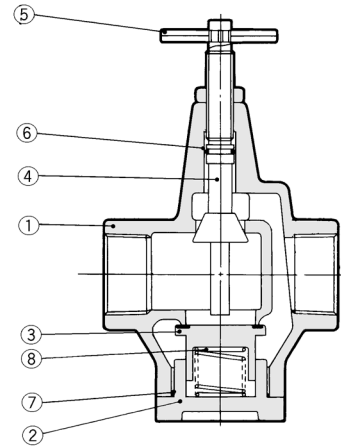
AS420, 500, 600/Construction



Component Parts

No.	Description	Material	Note
①	Body	Aluminum alloy	Chromated
②	Needle	Brass	—
③	Bottom cover	Aluminum alloy	Chromated
④	Handle	Zinc	Chromated
⑤	Check valve	Brass	
⑥	Spring	Stainless steel	
⑦	O ring	NBR	
⑧	O ring	NBR	

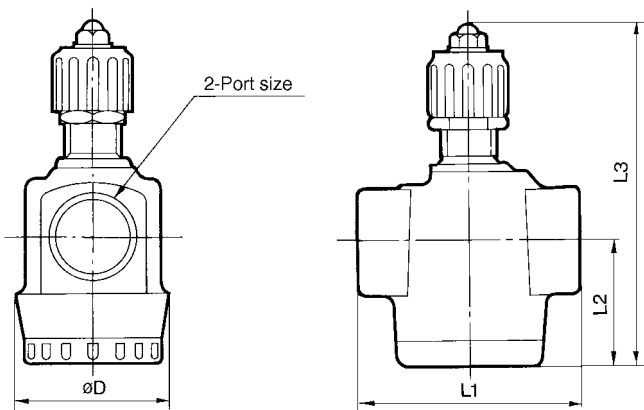
AS800, 900/Construction



Component Parts

No.	Description	Material	Note
①	Body	Aluminum alloy	Chromated
②	Valve guide	Aluminum alloy	Chromated
③	Check valve	Brass	Rubber lining
④	Needle	Brass	
⑤	Handle	Carbon steel	Chromated
⑥	O ring	NBR	
⑦	O ring	NBR	
⑧	Spring	Stainless steel	

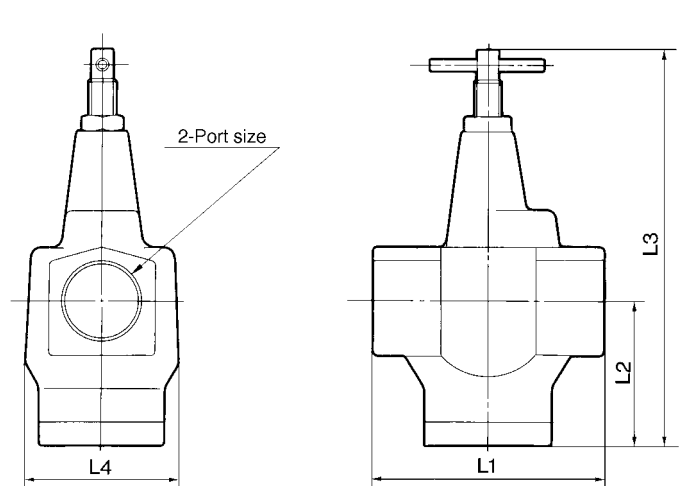
AS420, 500, 600/Dimensions



Dimensions

Model	Port size	L1	L2	L3		D
				MAX.	MIN.	
AS420	1/4, 3/8, 1/2	67.5	38	122	112	50
AS500	3/4	74	42	115	105	50
AS600	1	90	55	158	148	62

AS800, 900/Dimensions



Dimensions

Model	Port size	L1	L2	L3		L4
				MAX.	MIN.	
AS800	1 1/4	120	74	204	192	80
AS900	1 1/2, 2	150	93	262	250	94

Speed Controller Standard

Series AS

In-line Push locking Style

RoHS

Lock speed setting, with the touch of a button
It can be locked only by pushing the handle after adjustment.

Convenient opening indication scale
The opening indication scale for the needle valve is provided on the handle to facilitate speed adjustments.

Easy speed control at low flow volume ranges

Possible to control the mass velocity

Constant knob constructed of metal to withstand heavy usage
In addition to the standard handle made of resin, a heavy-duty metal handle is also available.

Retainer prevents accidental loss of needle

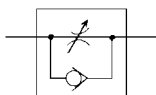
Specifications

Specifications	Model	AS3500-02	AS3500-03
	Resin knob	AS3500-02-2	AS3500-03-2
	Metal knob		
Port size		1/4	3/8
Applicable cylinder bore size (mm)		40, 50, 63	
Proof pressure		1.5 MPa	
Max. operating pressure		1 MPa	
Min. operating pressure		0.05 MPa	
Ambient and fluid temperature		-5 to 60 °C (No freezing)	
Number of needle rotations		8 turns	
Weight		130g (Metallic handle: 140g)	
Free flow	Air flow (ℓ/min(ANR))	810	
	Effective area (mm ²)	12.3	
Controlled flow	Air flow (ℓ/min(ANR))	810	
	Effective area (mm ²)	12.3	

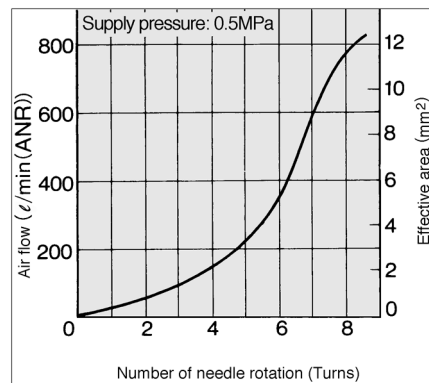
Note) Supply pressure: 0.5 MPa, Temperature: 20 °C.



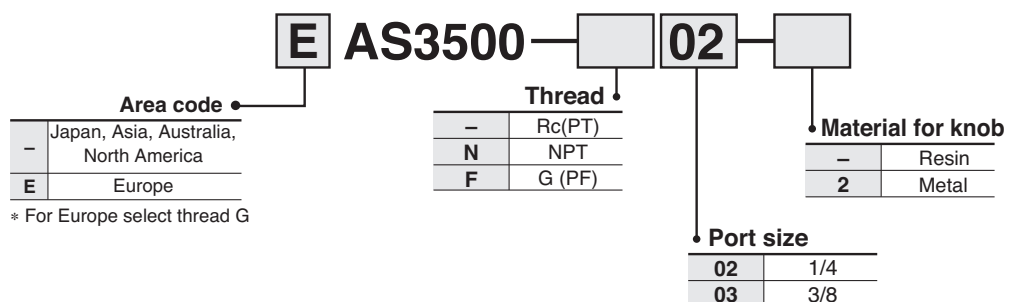
JIS Symbol



Needle/Flow Characteristics AS3500

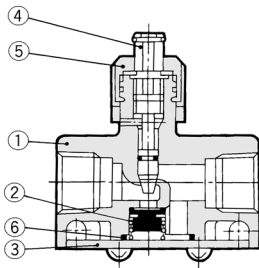


How to Order

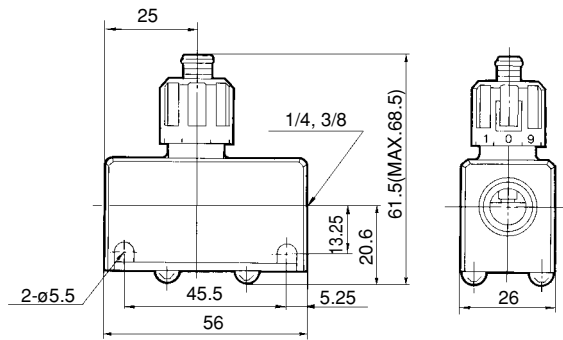


Standard: In-line Push Locking Style *Series AS*

Construction



Dimensions



Component Parts

No.	Description	Material	Note
①	Body	Aluminum alloy	Chromated
②	Valve	NBR	
③	Cap	Rolled steel	Electroless nickel plated
④	Needle	Brass	
⑤	Handle	POM	Black
		Zinc alloy	Black
⑥	O ring	NBR	

Speed Controller with Residual Pressure Release Valve

Series AS□□□□FE

With One-touch Fittings

RoHS

Residual pressure can be easily released with one push of button.

Eye-catching red colour release button.



Model

Elbow style	Universal style	Port size in cylinder side	Applicable tube O.D (mm)					Cylinder bore size (mm)
			ø 4	ø 6	ø 8	ø 10	ø 12	
AS22□1FE-01	AS23□1FE-01	R(PT)1/8	●	●	●	● ⁽¹⁾		20, 25, 32
AS22□1FE-02	AS23□1FE-02	R(PT)1/4	●	●	●	●		20, 25, 32, 40
AS32□1FE-03	AS33□1FE-03	R(PT)3/8		●	●	●	●	40, 50, 63
AS42□1FE-04	AS43□1FE-04	R(PT)1/2				●	●	63, 80, 100

Note 1) Only elbow type

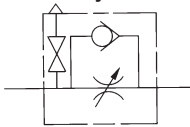
Notes) Distinction between meter-out/meter-in types by appearance

They are distinguished by the lock nut. The meter-out types is electroless nickel plated, while the meter-in type is black zinc chromate plated.

Specifications

Proof pressure	1.5MPa
Max. operating pressure	1.0MPa
Min. operating pressure	0.1MPa
Ambient and fluid temperature	-5 to 60°C (No freezing)
Number of needle rotations	10 turns
Effective area of residual pressure release valve	0.8mm ²
Applicable tubing	Nylon, Soft nylon, Polyurethane

JIS Symbol



Air Flow/Effective Area

Model		AS22□1FE-01 AS23□1FE-01			AS22□1FE-02 AS23□1FE-02			AS32□1FE AS33□1FE			AS42□1FE AS43□1FE	
Tube O.D.	Metric size	ø4	ø6 ø8 ø10	ø4	ø6	ø8 ø10	ø6	ø8	ø10 ø12	ø10	ø12	
Controlled (Free) flow	Air flow (d/min(ANR))	180	230	260	390	460	660	790	920	1580	1710	
	Effective area (mm ²)	2.7	3.5	4	6	7	10	12	14	24	26	

Note) Supply pressure: 0.5MPa, Temperature: 20°C.

Indication of air flow direction on body

	Sistema de salida	Sistema de entrada
Simbolo		
Simbolo		

How to Order

AS **2** **2** **1** **1** FE **01** **06** SK **□**

- Body size**

2	1/8, 1/4
3	3/8
4	1/2
- Style**

2	Elbow
3	Universal
- Controlled method**

0	Meter-out
1	Meter-in
- Applicable tube O.D.**

04	ø4
06	ø6
08	ø8
10	ø10
12	ø12
- Hexagonal lock nut**
- Sealant**
- With residual pressure release valve**
- With One-touch fittings**
- Made to Order**

Made to Order

1 Lubricant: Vaseline

X12

Ex.) AS2201FE-01-04SK-X12

2 Grease-free (Seal: Fluorine Coating) + Throttle Valve (Without Check Valve)

X21

Ex.) AS2201FE-01-04SK-X21

Note 1) Not particle-free

Note 2) Throttle valve is only compatible with the part no. of the meter-out type.

3 Throttle Valve (Without Check Valve)

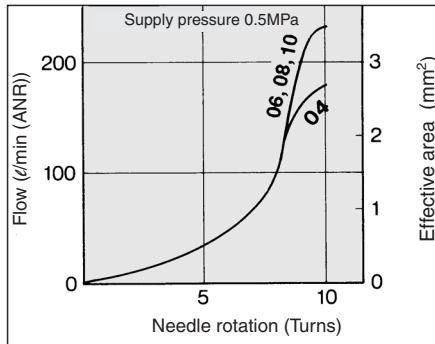
X214

Ex.) AS2201FE-01-04SK-X214

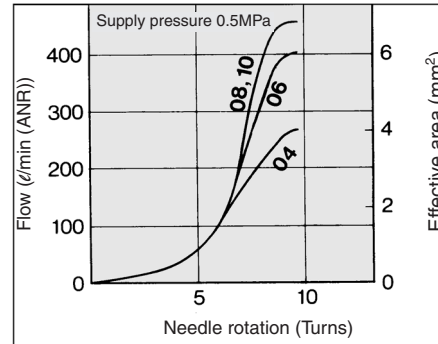
Note) Throttle valve is only compatible with the part no. of the meter-out type.

Needle Valve/Flow Characteristics

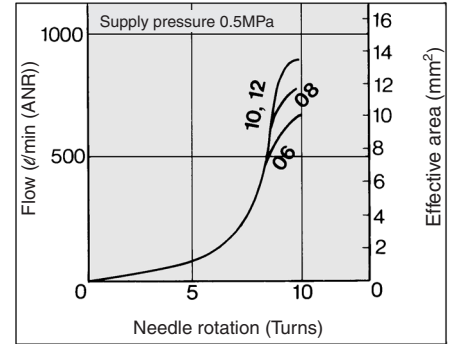
**AS2201FE-01, AS2211FE-01
AS2301FE-01, AS2311FE-01**



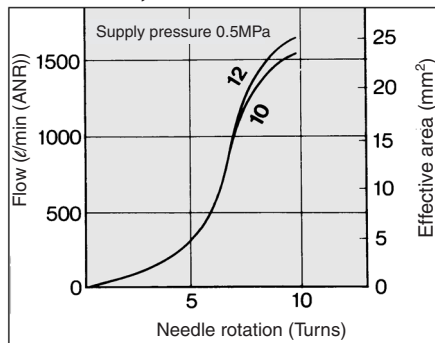
**AS2201FE-02, AS2211FE-02
AS2301FE-02, AS2311FE-02**



**AS3201FE, AS3211FE
AS3301FE, AS3311FE**



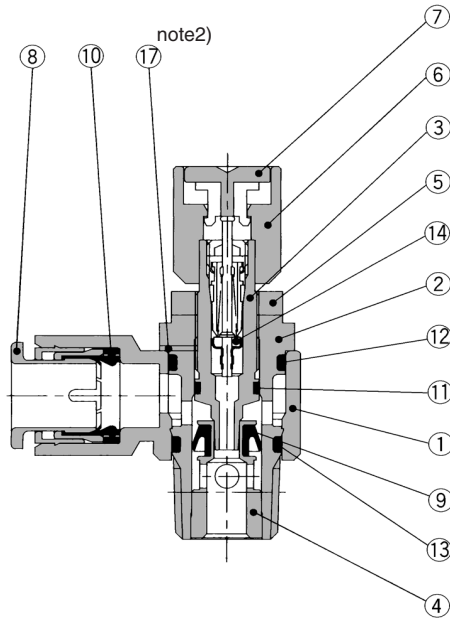
**AS4201FE, AS4211FE
AS4301FE, AS4311FE**



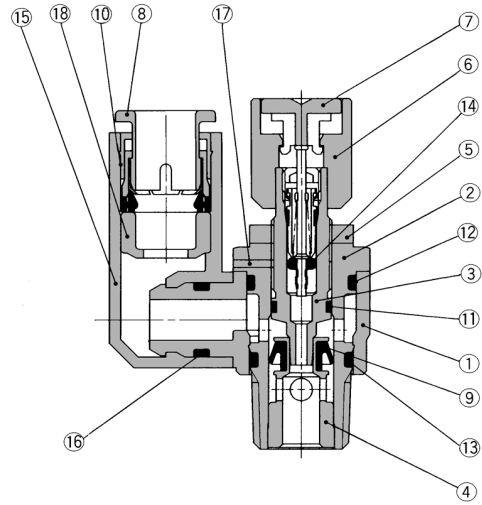
Series AS□□□□FE

Construction

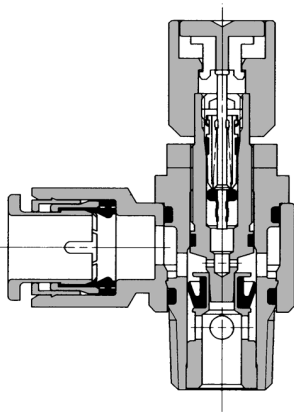
Elbow style Meter-out



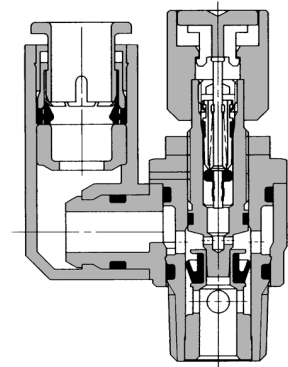
Universal style Meter-out



Meter-in



Meter-in



Component Parts

No.	Description	Material	Note
①	Body A	PBT	White
②	Body B	Brass	Electroless nickel plated
③	Needle	Brass	Electroless nickel plated
④	Seat ring	Brass	(1)
⑤	Lock nut	Steel ⁽²⁾	Zinc chromated ⁽²⁾⁽³⁾
⑥	Handle	Aluminum alloy	Red painted
⑦	Push button	POM	Red
⑧	Cassette	POM,Stainless steel	
⑨	U-packing	NBR	
⑩	Packing	NBR	
⑪	O ring	NBR	
⑫	O ring	NBR	
⑬	O ring	NBR	
⑭	Valve core	NBR,Brass,Stainless steel	
⑮	Elbow body	PBT	
⑯	O ring	NBR	
⑰	Jumping out preventing screw	Stainless steel	
⑱	Spacer	POM	

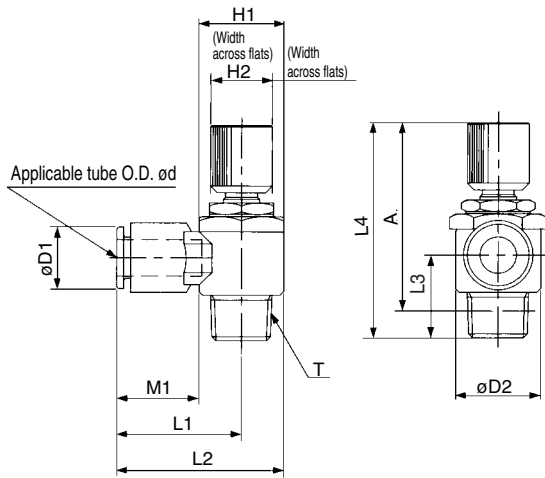
Note 1) AS2□□1FE type is electroless nickel plated

Note 2) Brass parts of AS2201FE-01 are electroless nickel plated.

Note 3) Meter-in type: Black zinc chromated

Dimensions

Elbow style

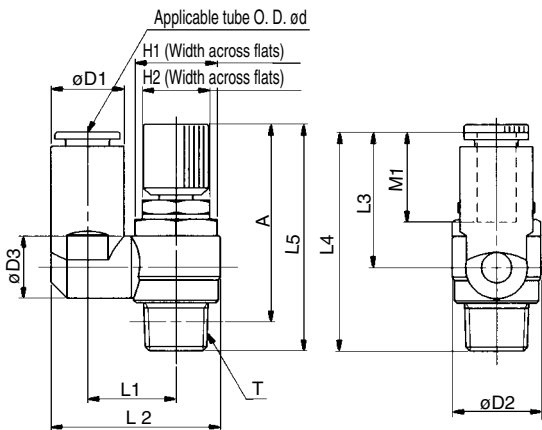


Model	Tube O.D. d	T	H1	H2	D1	D2	L1	L2	L3	L4		A*		M1	Wgt. (g)
										MAX.	MIN.	MAX.	MIN.		
AS22□1FE-01-04SK	4	1/8	12	12	9.3	14.2	20.4	27.5	13.4	53	48	49.9	44.9	12.7	26
AS22□1FE-01-06SK	6				11.6		20.4	27.5						13.5	27
AS22□1FE-01-08SK	8				15.2		25.3	32.4						18.5	29
AS22□1FE-01-10SK	10				18.5		33.1	40.2						21	31
AS22□1FE-02-04SK	4	1/4	17	14	10.4	18.5	25.2	34.4	17.7	51.7	46.7	46.2	41.2	16	36
AS22□1FE-02-06SK	6				12.8		25.2	34.4						17	37
AS22□1FE-02-08SK	8				15.2		27.2	36.4						18.5	39
AS22□1FE-02-10SK	10				18.5		33.9	43.2						21	42
AS32□1FE-03-06SK	6	3/8	19	14	12.8	23	27.8	39.3	19.8	56.7	51.7	51.5	46.5	16	57
AS32□1FE-03-08SK	8				15.2		29.5	41						18.5	60
AS32□1FE-03-10SK	10				18.5		31.9	43.3						21	62
AS32□1FE-03-12SK	12				20.9		32.8	44.3						22	64
AS42□1FE-04-10SK	10	1/2	24	17	18.5	28.6	33.6	47.9	24.5	63.8	58.8	56.5	51.5	21	103
AS42□1FE-04-12SK	12				20.9		34.6	48.9						22	105

*Reference dimensions of R(PT) thread after being screwed in.

Dimensions

Universal style



Model	Tube O.D. d	T	H1	H2	D1	D2	D3	L1	L2	L3	L4	L5		A*		M1	Wgt. (g)
												MAX.	MIN.	MAX.	MIN.		
AS23□1FE-01-04SK	4	1/8	12	12	9.3	14.2	9.3	13.1	24.9	17.5	30.9	53	48	49.9	44.9	12.7	26
AS23□1FE-01-06SK	6				11.6		10.9	14	26.9	22.9	36.3					13.5	27
AS23□1FE-01-08SK	8				15.2		12.9	16.2	30.9	28.2	40.8					18.5	29
AS23□1FE-02-04SK	4				1/4		14	14	10.4	18.5	10.9					16.2	30.6
AS23□1FE-02-06SK	6	12.8	18.4	34		25.2			42.1		17	37					
AS23□1FE-02-08SK	8	15.2	12.9	18.3		35.2			28.2		45.1	18.5	39				
AS23□1FE-02-10SK	10	18.5	20.2	38.7		31			47.9		21	42					
AS33□1FE-03-06SK	6	3/8	19	14	12.8	23	12.9	20.6	38.5	25.2	45	56.7	51.7	51.5	46.5	17	57
AS33□1FE-03-08SK	8				15.2		39.7	28.2	48	18.5	60						
AS33□1FE-03-10SK	10				18.5		43.7	32.6	52.4	21	62						
AS33□1FE-03-12SK	12				20.9		44.9	34.4	54.2	22	64						
AS43□1FE-04-10SK	10	1/2	24	17	18.5	28.6	16.2	25.8	49.4	32.6	57.1	63.8	58.8	56.5	51.5	21	103
AS43□1FE-04-12SK	12				21.7		19.4	26.8	52	36.3	60.8					22	105

*Reference dimensions of R(PT) thread after being screwed in.

Speed Controller with Residual Pressure Release Valve

Series AS□□□□E Standard



Residual pressure can be easily released with one push of button.

Eye-catching red colour release button.



Model/Air Flow, Effective Area

Model	Port size	Free flow		Controlled flow		Applicable cylinder bore size (mm)	Weight (g)
		Air flow (l/min(ANR))	Effective area (mm ²)	Air flow (l/min(ANR))	Effective area (mm ²)		
AS2000E-01	Rc(PT)1/8	340	5.2	250	3.8	20, 25, 32, 40	90
AS2000E-02	Rc(PT)1/4						115
AS3000E-02	Rc(PT)1/4	810	12.3	810	12.3	32, 40, 50, 63	130
AS3000E-03	Rc(PT)3/8						
AS4000E-02	Rc(PT)1/4	1670	25.5	1670	25.5	40, 50, 63, 80, 100	225
AS4000E-03	Rc(PT)3/8						
AS4000E-04	Rc(PT)1/2						

Note) Supply pressure: 0.5MPa, Temperature: 20°C.

Specifications

Proof pressure	1.5MPa
Max. operating pressure	1.0MPa
Min. operating pressure	0.05MPa
Ambient and fluid temperature	-5 to 60°C (No freezing)
Number of needle rotations	8 turns
Effective area of residual exhaust valve	0.8mm ²

How to Order

AS 2 000 E - 01

Body size

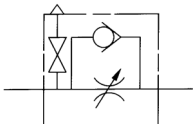
2	1/8, 1/4
3	3/8
4	1/2

Port size

Port size	Applicable series
01	Rc(PT)1/8 AS2000E
02	Rc(PT)1/4 AS2000E, 3000E, 4000E
03	Rc(PT)3/8 AS3000E, 4000E
04	Rc(PT)1/2 AS4000E

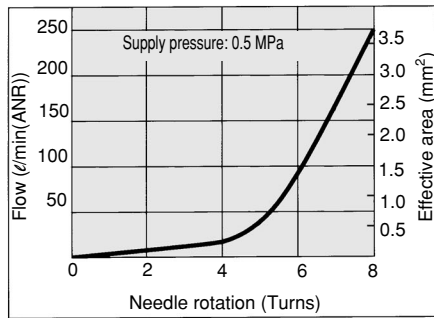
With residual pressure release valve

JIS Symbol

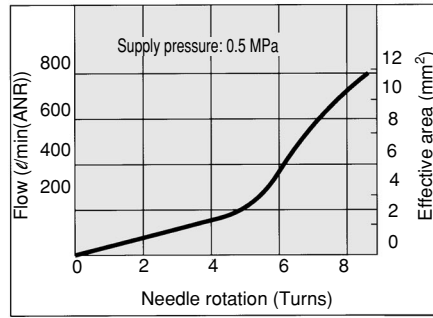


Needle Valve/Flow Characteristics

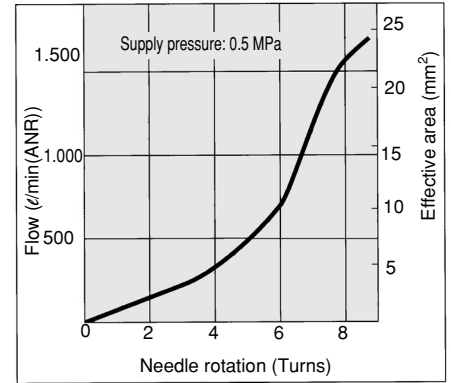
AS2000E



AS3000E

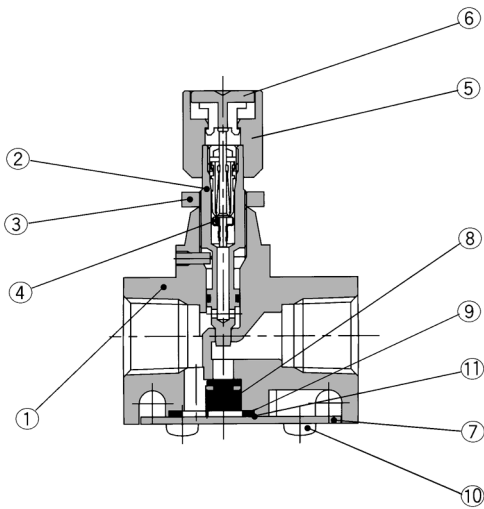


AS4000E

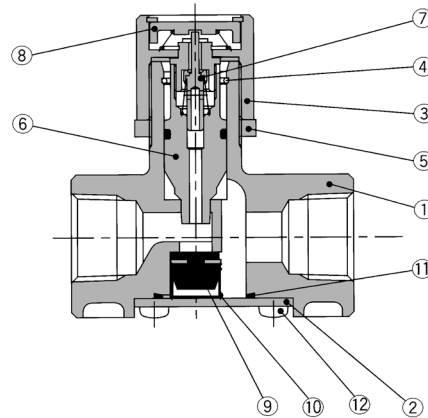


Construction

AS2000E/3000E



AS4000E



Component Parts

No.	Description	Model	
		AS2000	AS3000
①	Body	Zinc alloy	Aluminum alloy
②	Needle	Brass	Brass
③	Lock nut	Brass	Brass
④	Valve core	—	—
⑤	Handle	Aluminum alloy (Red painted)	Aluminum alloy (Red painted)
⑥	Push button	POM (Red)	POM (Red)
⑦	Cap	Stainless steel	Stainless steel

No.	Description	Material
⑧	Valve	NBR
⑨	Spring	Stainless steel
⑩	Cross-recessed head cap screw	Stainless steel
⑪	O ring	NBR

Component Parts

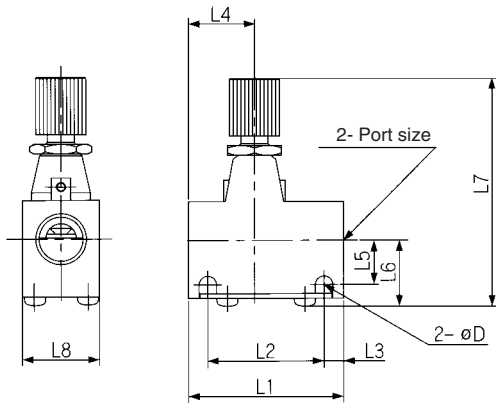
No.	Description	Material	Note
①	Body	Aluminum alloy	Chromated
②	Cap	SPC	Nickel plated
③	Handle	Zinc alloy	Chromated, Red
④	Ring	Spring steel	Zinc chromated
⑤	Lock nut	Zinc alloy	Chromated
⑥	Needle	Aluminum alloy	Chromated
⑦	Valve	NBR/Stainless steel	
⑧	Push button	POM	Red

No.	Description	Material
⑨	Valve	NBR/ Brass
⑩	Spring	Stainless steel
⑪	O ring	NBR
⑫	Cross-recessed head cap screw	Steel wire

Series AS□□□□E

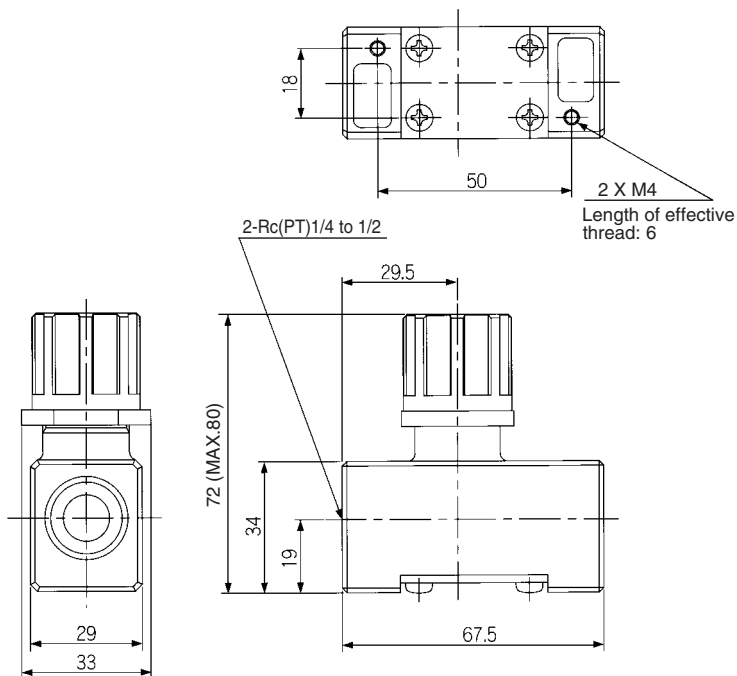
Dimensions

AS2000E/3000E



Model	Port size	L1	L2	L3	L4	L5	L6	L7		L8	D
								MAX.	MIN.		
AS2000E-01	Rc(PT)1/8	40	30	5	17	10	15.5	61.5	57	16	4.5
AS2000E-02	Rc(PT)1/4	40	30	5	23	12	17	63.5	59	20	4.5
AS3000E-02, 03	Rc(PT)1/4, 3/8	56	45.5	5.25	25	13.25	20.6	76	69	26	5.5

AS4000E



Speed Controller with One-touch Fitting Stainless Steel Series

Elbow Type/Universal Type

Series AS-FG

RoHS

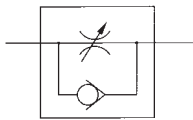


Elbow type



Universal type

JIS symbol



Flow direction symbols on body

	Meter-out type	Meter-in type
Symbol		
JIS symbol		

Models

Elbow type	Universal type	Port size	Applicable tube outside diameter											Applicable cylinder bore size (mm)			
			Metric size						Inch size								
			3.2	4	6	8	10	12	1/8"	5/32"	3/16"	1/4"	5/16"		3/8"	1/2"	
AS12□1FG-M5	AS13□1FG-M5	M5	●	●	●												6, 10, 16, 20
AS22□1FG-01	AS23□1FG-01	R(PT) 1/8	●	●	●	●	●*										20, 25, 32
AS22□1FG-02	AS23□1FG-02	R(PT) 1/4		●	●	●	●										20, 25, 32, 40
AS32□1FG-02	AS33□1FG-02	R(PT) 1/4			●	●	●	●									40, 50, 63
AS32□1FG-03	AS33□1FG-03	R(PT) 3/8			●	●	●	●									40, 50, 63
AS42□1FG-04	AS43□1FG-04	R(PT) 1/2					●	●									63, 80, 100
AS12□1FG-U10/32	AS13□1FG-U10/32	10-32UNF							●	●	●	●					6, 10, 16, 20
AS22□1FG-N01	AS23□1FG-N01	NPT1/8							●	●	●	●	●				20, 25, 32
AS22□1FG-N02	AS23□1FG-N02	NPT1/4								●	●	●	●	●			20, 25, 32, 40
AS32□1FG-N02	AS33□1FG-N02	NPT1/4									●	●	●				40, 50, 63
AS32□1FG-N03	AS33□1FG-N03	NPT3/8									●	●	●				40, 50, 63
AS42□1FG-N04	AS43□1FG-N04	NPT1/2												●	●		63, 80, 100

Note 1) The meter-out and meter-in types can be visually determined by the flow direction symbol on the resin body.
Note 2) * Elbow type only

Specifications

Proof pressure	1.5MPa
Maximum operating pressure	1MPa
Minimum operating pressure	0.1MPa
Ambient & fluid temperature	-5 to 60°C (with no freezing)
Number of needle revolutions	10 revolutions (8 revolutions Note 1))
Applicable tube material Note 2)	Nylon, Soft nylon, Polyurethane, Soft polyurethane

Note 1) For types AS12□1FG and AS13□1FG

Note 2) Use caution regarding the maximum operating pressure with soft nylon, polyurethane and soft polyurethane.
(For details, refer to CAT.E501-B "Air Fittings and Tubing" pages 7-146 through 7-147.)

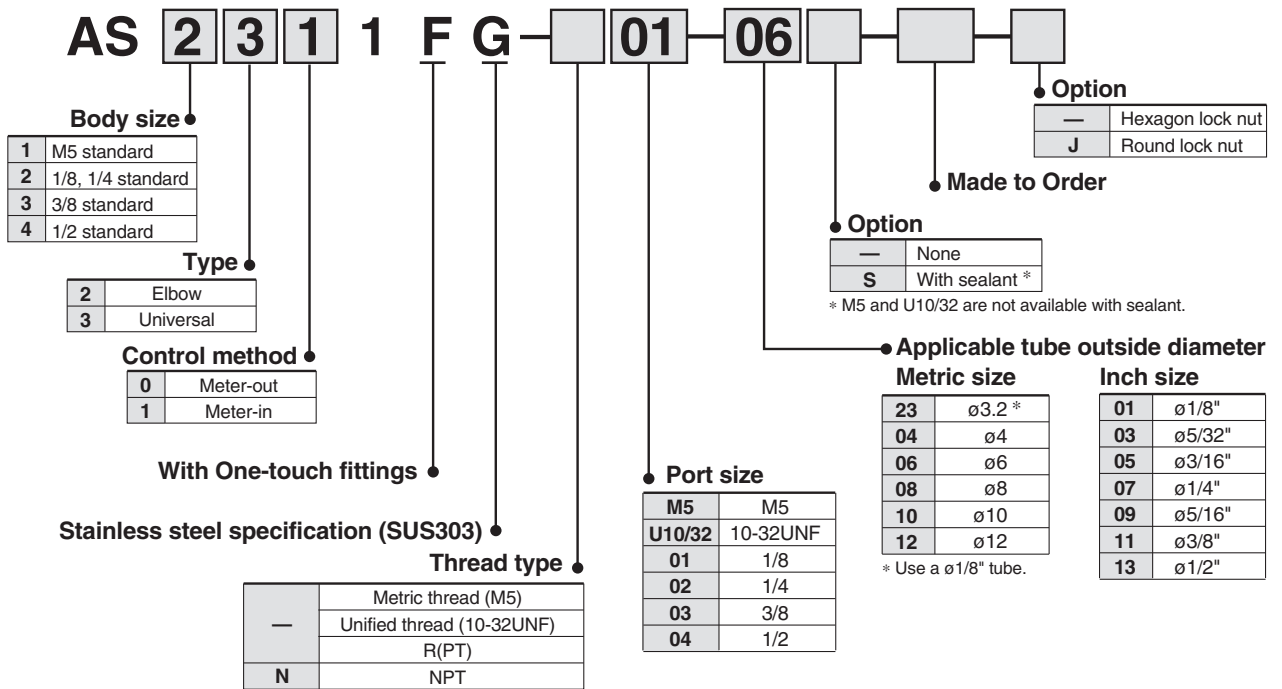
Flow Rate and Effective Area

Model	AS12□1FG	AS22□1FG-□01	AS22□1FG-□02	AS32□1FG	AS42□1FG							
	AS13□1FG	AS23□1FG-□01	AS23□1FG-□02	AS33□1FG	AS43□1FG							
Tube O.D.	Metric size	ø3.2 ø4 ø6	ø3.2 ø4 ø8 ø10	ø4 ø6 ø8 ø10	ø6 ø8 ø10 ø12	ø10 ø12						
	Inch size	ø1/8" ø5/32" ø3/16" ø1/4"	ø1/8" ø5/32" ø1/4" ø5/16"	ø5/32" ø3/16" ø1/4" ø5/16"	ø1/4" ø5/16" ø3/8"	ø3/8" ø3/8" ø1/2"						
		Flow rate ℓ/min (ANR)	100	180	230	260	390	460	660	790	920	1580
Controlled (Free) flow	Effective area mm ²	1.5	2.7	3.5	4	6	7	10	12	14	12	26

Note) The flow rate values are at a pressure of 0.5MPa and temperature of 20°C.

Series AS-FG

How to Order



Made to Order

1 Lubricant: Vaseline

X12

Ex.) AS1201FG-M5-23-X12

2 Grease-free (Seal: Fluorine Coating) + Throttle Valve (Without Check Valve)

X21

Ex.) AS1201FG-M5-23-X21

Note 1) Not particle-free

Note 2) Throttle valve is only compatible with the part no. of the meter-out type.

3 Throttle Valve (Without Check Valve)

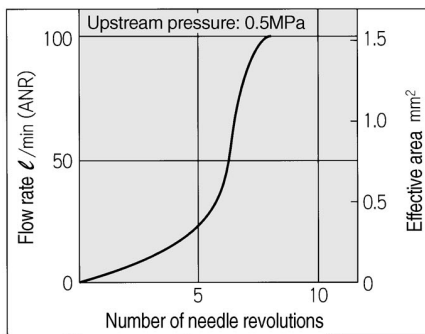
X214

Ex.) AS1201FG-M5-23-X214

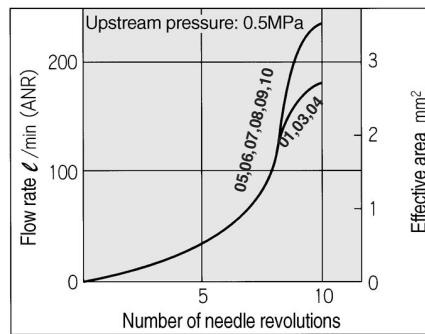
Note) Throttle valve is only compatible with the part no. of the meter-out type.

Needle Valve/Flow Rate Characteristics

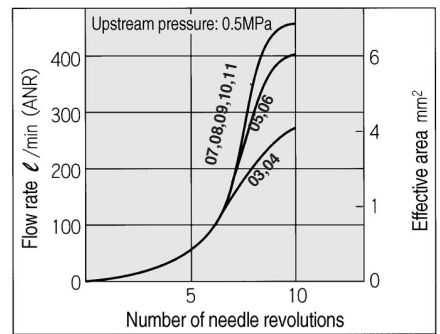
AS12□1FG
AS13□1FG



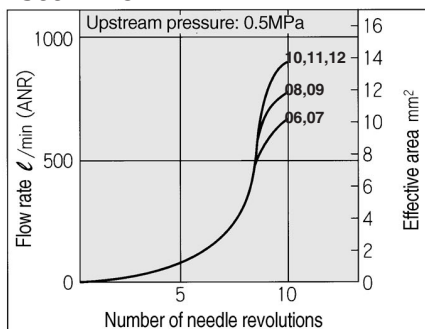
AS22□1FG-□01
AS23□1FG-□01



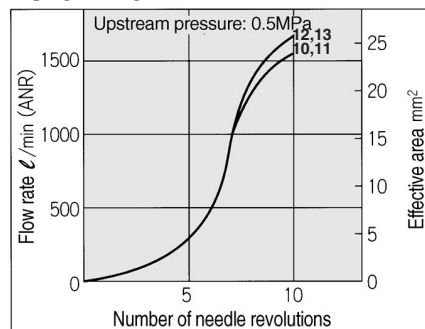
AS22□1FG-□02
AS23□1FG-□02



AS32□1FG
AS33□1FG



AS42□1FG
AS43□1FG

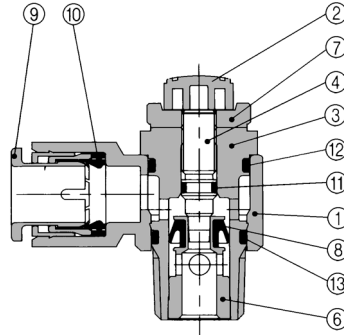
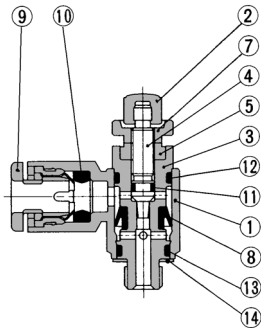


Construction/Elbow Type

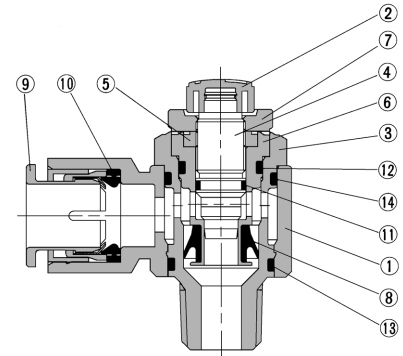
Meter-out type

M5 type

U10/32 type



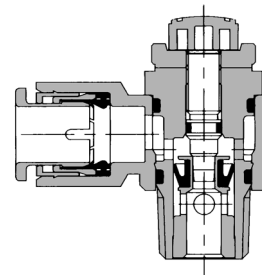
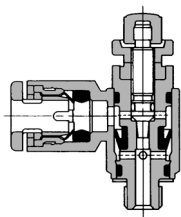
AS3201FG-02



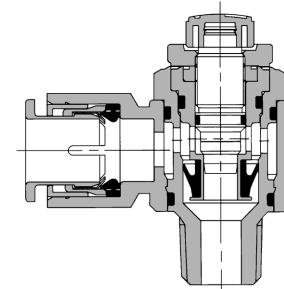
Meter-in type

M5 type

U10/32 type



AS3211FG-02



Parts list

No.	Description	Material	Note
1	Body A	PBT	
2	Knob	PBT	
3	Body B	SUS303	
4	Needle	SUS303	
5	Needle guide	SUS303	
6	Seat ring	SUS303	
7	Lock nut	SUS303	
8	U seal	NBR	
9	Cassette	POM, Stainless steel	
10	Seal	NBR	
11	O-ring	NBR	
12	O-ring	NBR	
13	O-ring	NBR	
14	O-ring	NBR	
15	Gasket	NBR/SUS304	M5 type only

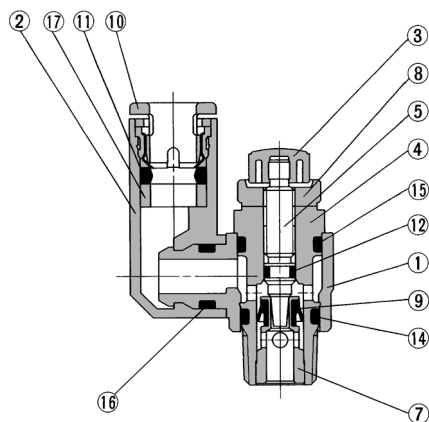
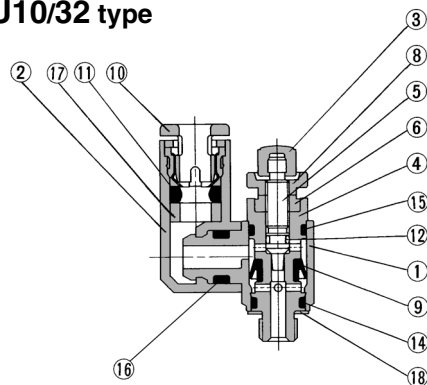
Series AS-FG

Construction/Universal Type

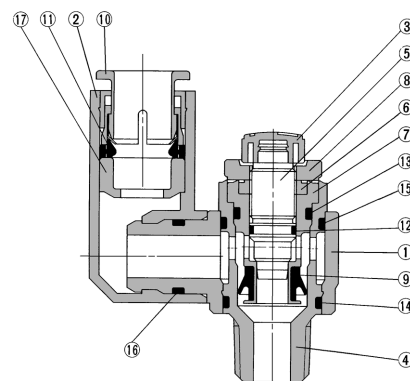
Meter-out type

M5 type

U10/32 type



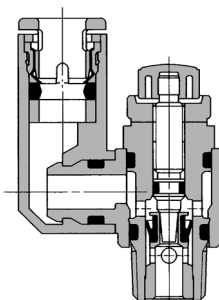
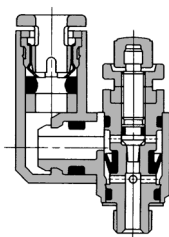
AS3301FG-02



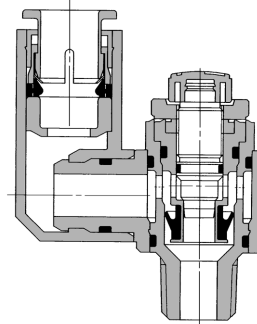
Meter-in type

M5 type

U10/32 type



AS3311FG-02

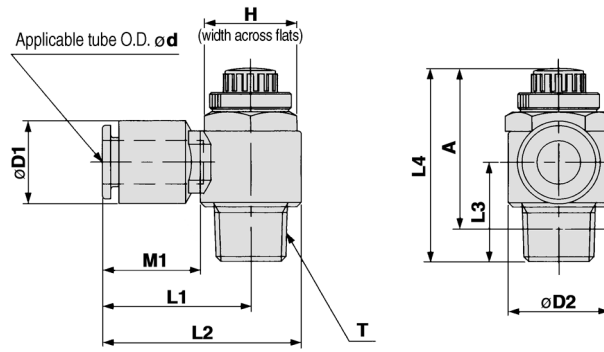


Parts List

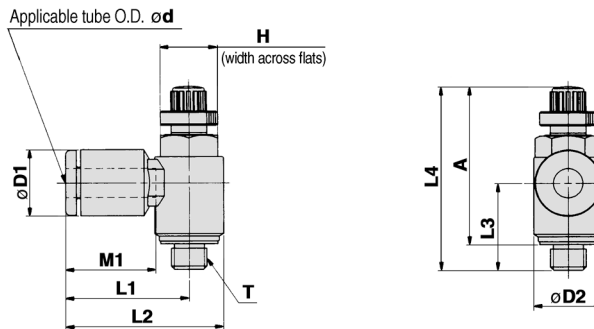
No.	Description	Material	Note
1	Body A	PBT	
2	Elbow body	PBT	
3	Knob	PBT	
4	Body B	SUS303	
5	Needle	SUS303	
6	Needle guide	SUS303	
7	Seat ring	SUS303	
8	Lock nut	SUS303	
9	U seal	NBR	
10	Cassette	POM, Stainless steel	
11	Seal	NBR	
12	O-ring	NBR	
13	O-ring	NBR	
14	O-ring	NBR	
15	O-ring	NBR	
16	O-ring	NBR	
17	Spacer	POM <small>Note 1)</small>	
18	Gasket	NBR, Stainless steel	

Note 1) $\phi 3/16"$, $\phi 3/8"$ and $\phi 1/2"$ are SUS303.

Dimensions/Elbow Type



**M5 type
U10/32 type**



Metric size

Model	d	T	H	D1	D2	L1	L2	L3	L4		A*		M1	Weight g		
									Max.	Min.	Max.	Min.				
AS12□1FG-M5-23	3.2	M5	8	8.4	9.6	17.3	22.1	12.3	28.6	25.8	25	22.2	12.7	7		
AS22□1FG-01-23	3.2	R(PT)1/8	12	9.3	14.2	20.4	27.5	14.3	36.1	31.1	32.1	27.1	12.7	16		
AS12□1FG-M5-04	4	M5	8	9.3	9.6	17.3	22.1	12.3	28.6	25.8	25	22.2	12.7	7		
AS12□1FG-M5-06	6			11.6		18.1	22.9	11.7							13.5	
AS22□1FG-01-04	4	R(PT)1/8	12	9.3	14.2	20.4	27.5	13.4	35.2	30.2	32.1	27.1	12.7	17		
AS22□1FG-01-06	6			11.6		20.4	27.5						13.4		13.5	
AS22□1FG-01-08	8			15.2		25.3	32.4						19.7		18.5	19
AS22□1FG-01-10	10			18.5		33.1	40.2									
AS22□1FG-02-04	4	R(PT)1/4	17	10.4	18.5	25.2	34.4	19.5	40.1	35.1	34.4	29.4	16	32		
AS22□1FG-02-06	6			12.8		25.2	34.4						17		17	
AS22□1FG-02-08	8			15.2		27.2	36.4						18.5		34	
AS22□1FG-02-10	10			18.5		33.9	43.2						19.5		21	36
AS32□1FG-02-06	6	R(PT)1/4	19	12.8	23	27.8	39.3	21.3	48.3	43.3	42.8	37.8	17	60		
AS32□1FG-02-08	8			15.2		29.5	41						18.5		63	
AS32□1FG-02-10	10			18.5		31.8	43.3						21		67	
AS32□1FG-02-12	12			20.9		32.8	44.3						22		69	
AS32□1FG-03-06	6	R(PT)3/8	19	12.8	23	27.8	39.3	19.8	45.4	40.4	40.2	35.2	17	55		
AS32□1FG-03-08	8			15.2		29.5	41						18.5		57	
AS32□1FG-03-10	10			18.5		31.8	43.3						21		59	
AS32□1FG-03-12	12			20.9		32.8	44.3						22		61	
AS42□1FG-04-10	10	R(PT)1/2	24	18.5	28.6	33.6	47.9	24.5	56.7	49.2	49.6	42.1	21	100		
AS42□1FG-04-12	12			20.9		34.6	48.9						22		101	

* Reference dimensions for threads after installation.

Inch size

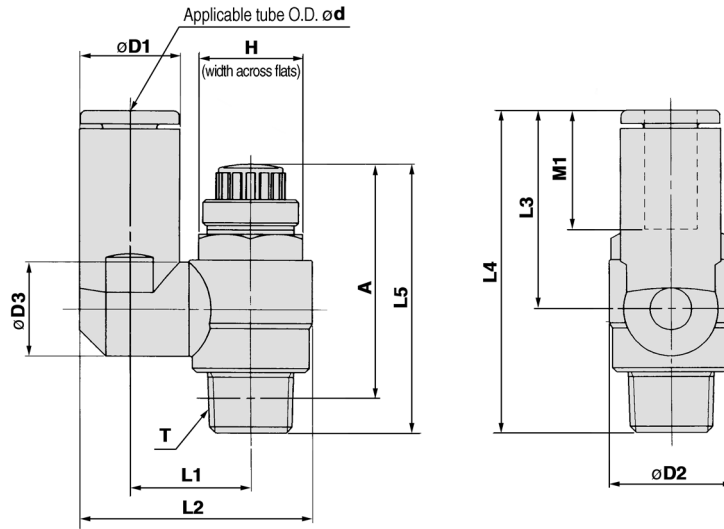
Model	d	T	H	D1	D2	L1	L2	L3	L4		A*		M1	Weight g	
									Max.	Min.	Max.	Min.			
AS12□1FG-U10/32-01	1/8"	10-32UNF	8	8.4	9.6	17.3	22.1	12.3	28.6	25.8	25	22.2	12.7	7	
AS12□1FG-U10/32-03	5/32"			9.3		21.3	26.1						11.7		13.5
AS12□1FG-U10/32-05	3/16"			11.4		18.3	23.1								
AS12□1FG-U10/32-07	1/4"			12		18.3	23.1								
AS22□1FG-N01-01	1/8"	NPT 1/8	12.7	9.3	14.2	20.4	27.5	13.4	35.2	30.2	32.1	27.1	12.7	16	
AS22□1FG-N01-03	5/32"			11.4		23.1	30.2						17		17
AS22□1FG-N01-05	3/16"			13.2		23.9	31						18.5		19
AS22□1FG-N01-07	1/4"			15.2		25.3	32.4						21		21
AS22□1FG-N01-09	5/16"	NPT 1/4	17.5	15.2	18.5	25.3	32.4	19.5	39.9	34.9	34.4	29.4	16	32	
AS22□1FG-N02-03	5/32"			11.4		24.9	34.2						17		17
AS22□1FG-N02-05	3/16"			13.2		25.2	34.5						18.5		34
AS22□1FG-N02-07	1/4"			15.2		27.2	36.4						21		36
AS22□1FG-N02-09	5/16"	NPT 3/8	19	15.2	23	27.8	39.3	21.3	48.3	43.3	42.8	37.8	17	60	
AS22□1FG-N02-11	3/8"			17.9		31.8	43.3						21		67
AS32□1FG-N02-07	1/4"			13.2		27.8	39.3						17		55
AS32□1FG-N02-09	5/16"			15.2		29.5	41						18.5		63
AS32□1FG-N03-11	3/8"	NPT 1/2	23.8	17.9	28.6	31.8	43.3	24.5	56.7	49.2	49.6	42.1	21	100	
AS42□1FG-N04-11	3/8"			21.7		33.6	47.9						22		101
AS42□1FG-N04-13	1/2"			21.7		35.2	49.5						22		101

* Reference dimensions for 10-32UNF and NPT threads after installation.

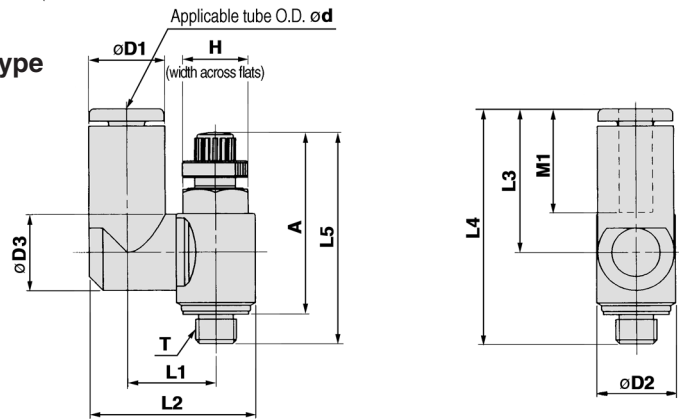
Series AS-FG

Dimensions/Universal Type

Dimensions/Universal Type



For M5 type
For U10/32 type



Metric size

Model	d	T	H	D1	D2	D3	L1	L2	L3	L4	L5		A *		M1	Weight g			
											Max.	Min.	Max.	Min.					
AS13□1FG-M5-23	3.2	M5	8	8.4	9.3	9.6	9.3	10.8	20.3	17.5	28.7	28.6	25.8	25	22.2	12.7	7		
AS13□1FG-M5-04	4			9.3															
AS13□1FG-M5-06	6			11.6															
AS23□1FG-01-23	3.2	R(PT) 1/8	12	8.4	14.2	9.3	13.1	24.4	17.5	30.9	35.2	30.2	32.1	27.1	12.7	17			
AS23□1FG-01-04	4			9.3															
AS23□1FG-01-06	6			11.6															
AS23□1FG-01-08	8	15.2	12.9	16.2	30.9	28.2	40.8	39.9	34.9	34.4	29.4	18.5	21						
AS23□1FG-02-04	4	10.4	10.9	16.2	30.6	21.9	39.6												
AS23□1FG-02-06	6	12.8	18.5	18.4	34	25.2	42.1												
AS23□1FG-02-08	8	15.2	12.9	18.3	35.2	28.2	45.1	48.3	43.3	42.8	37.8	18.5	36						
AS23□1FG-02-10	10	18.5	20.2	38.7	31	47.9													
AS33□1FG-02-06	6	12.8	12.9	20.6	38.5	25.2	46.5												
AS33□1FG-02-08	8	15.2	12.9	20.6	39.7	28.2	49.5	48.3	43.3	42.8	37.8	18.5	63						
AS33□1FG-02-10	10	18.5	23	43.7	32.6	53.9													
AS33□1FG-02-12	12	20.9	16.2	23	44.9	34.4	55.7												
AS33□1FG-03-06	6	R(PT) 3/8	19	12.8	23	12.9	20.6	38.5	25.2	45	45.4	40.4	40	35	18.5	59			
AS33□1FG-03-08	8			15.2													39.7	28.2	48
AS33□1FG-03-10	10			18.5													43.7	32.6	52.4
AS33□1FG-03-12	12	20.9	16.2	23	44.9	34.4	54.2	56.7	49.2	49.6	42.1	21	104						
AS43□1FG-04-10	10	18.5	28.6	16.2	25.8	49.4	32.6							57.1					
AS43□1FG-04-12	12	20.9	19.4	26.8	52	36.3	60.8												

* Reference dimensions for M5 and R(PT) threads after installation.

Inch size

Model	d	T	H	D1	D2	D3	L1	L2	L3	L4	L5		A *		M1	Weight g
											Max.	Min.	Max.	Min.		
AS13□1FG-U10/32-01	1/8"	10-32UNF 8	9.6	8.4	9.3	10.8	19.8	17.5	28.7	28.6	25.8	25	22.2	12.7	7	
AS13□1FG-U10/32-03	5/32"			9.3												
AS13□1FG-U10/32-05	3/16"			11.4												
AS13□1FG-U10/32-07	1/4"	12	21.3	23.3	34.5	35.2	30.2	32.1	27.1	16.5	8					
AS23□1FG-N01-01	1/8"	8.4	24.4	17.5	30.9							12.7	17			
AS23□1FG-N01-03	5/32"	9.3	24.9	17.5	30.9											
AS23□1FG-N01-05	3/16"	11.4	26.8	23.9	35.2	30.2	32.1	27.1	16.5	18						
AS23□1FG-N01-07	1/4"	13.2	29.9	25.6	36.3						18.5	19				
AS23□1FG-N01-09	5/16"	15.2	30.9	28.2	40.8								21	21		
AS23□1FG-N02-03	5/32"	10.4	30.6	21.9	39.6	16	32									
AS23□1FG-N02-05	3/16"	11.4	31.1	23.9	42.1			17	33							
AS23□1FG-N02-07	1/4"	13.2	34.2	25.6	45.1					39.9	34.9	34.4	29.4	18.5	36	
AS23□1FG-N02-09	5/16"	15.2	35.2	28.2	47.9	21	39									
AS23□1FG-N02-11	3/8"	17.9	20.2	38.7	31			46.5	21							40
AS33□1FG-N02-07	1/4"	13.2	38.7	25.6	46.9			17		60						
AS33□1FG-N02-09	5/16"	15.2	39.7	28.2	49.5	48.3	43.3				42.8	37.8	18.5	63		
AS33□1FG-N02-11	3/8"	17.9	43.7	32.6	53.9				21						69	
AS33□1FG-N03-07	1/4"	13.2	43.7	32.6	52.4			21		63						
AS33□1FG-N03-09	5/16"	15.2	44.9	34.4	54.2	22	65									
AS33□1FG-N03-11	3/8"	17.9	45.4	40.4	40.2				35.2		18.5	59				
AS43□1FG-N04-11	3/8"	17.9	16.2	25.8	49.4			32.6		54.4			21	104		
AS43□1FG-N04-13	1/2"	21.7	19.4	26.8	52	36.3	57.1									

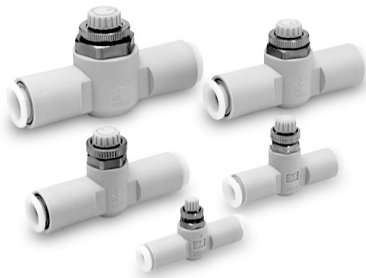
* Reference dimensions for 10-32UNF and NPT threads after installation.

Speed Controller with One-touch Fitting Stainless Steel Series

In-line Type

Series AS-FG

RoHS



Models

Model	Applicable tube outside diameter													Applicable cylinder bore size (mm)
	Metric size						Inch size							
	3.2	4	6	8	10	12	1/8"	5/32"	3/16"	1/4"	5/16"	3/8"	1/2"	
AS1001FG	●	●	●				●	●	●	●				6, 10, 16, 20
AS2001FG		●	●					●	●	●				20, 25, 32
AS2051FG			●	●					●	●	●			20, 25, 32, 40
AS3001FG			●	●	●	●				●	●	●		40, 50, 63
AS4001FG					●	●						●	●	63, 80, 100

Specifications

Proof pressure	1.5MPa
Maximum operating pressure	1MPa
Minimum operating pressure	0.1MPa
Ambient and fluid temperature	-5 to 60°C (with no freezing)
Number of needle revolutions	10 revolutions (8 revolutions ^{Note 1)})
Applicable tube material ^{Note 2)}	Nylon, Soft nylon, Polyurethane, Soft polyurethane

Note 1) For AS1001FG type

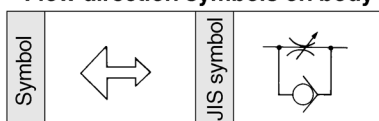
Note 2) Use caution regarding the maximum operating pressure with soft nylon, polyurethane and soft polyurethane. (For details, refer to CAT.E501-B "Air Fittings and Tubing" pages 7-146 through 7-147.)

Flow Rate and Effective Area

Model		AS1001FG	AS2001FG	AS2051FG	AS3001FG	AS4001FG					
Tube O.D.	Metric size	ø3.2 ø4 ø6	ø4 ø6	ø6 ø8	ø6 ø8 ø10 ø12	ø10 ø12					
	Inch size	ø1/8" ø5/32" ø3/16"	ø3/16" ø1/4"	ø3/16" ø1/4" ø5/16"	ø1/4" ø5/16" ø3/8"	ø3/8" ø1/2"					
Controlled (Free) flow	Flow rate ℓ/min (ANR)	100	130	230	290	460	420	660	920	1050	1390
	Effective area mm ²	1.5	2	3.5	4.5	7	6.5	10	14	16	21

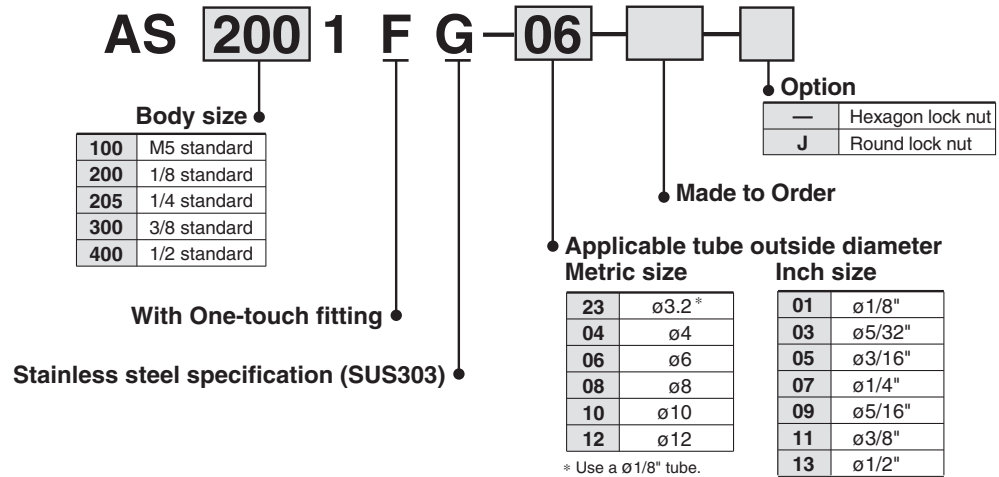
Note) Flow rate values are at a pressure of 0.5MPa and a temperature of 20°C.

Flow direction symbols on body



Series AS-FG

How to Order



Made to Order

1 Lubricant: Vaseline **X12**

Ex.) AS1001FG-04-X12

2 Grease-free (Seal: Fluorine Coating) + Throttle Valve (Without Check Valve) **X21**

Ex.) AS1001FG-04-X21

3 Throttle Valve (Without Check Valve) **X214**

Ex.) AS1001FG-04-X214

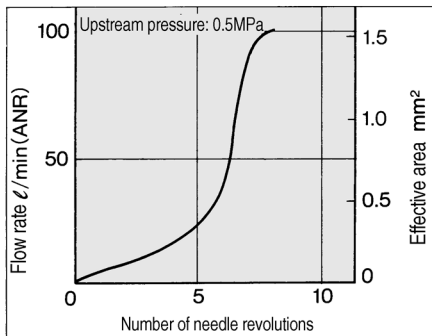
Note) Throttle valve is only compatible with the part no. of the meter-out type.

Note 1) Not particle-free

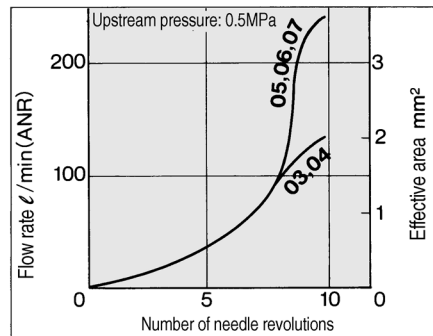
Note 2) Throttle valve is only compatible with the part no. of the meter-out type.

Needle Valve/Flow Rate Characteristics

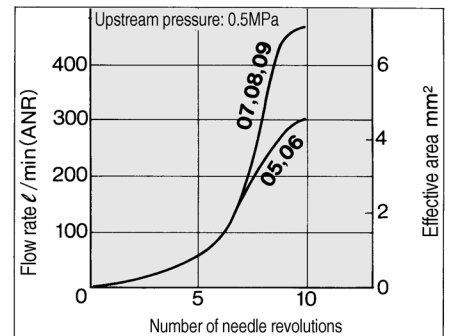
AS1001FG



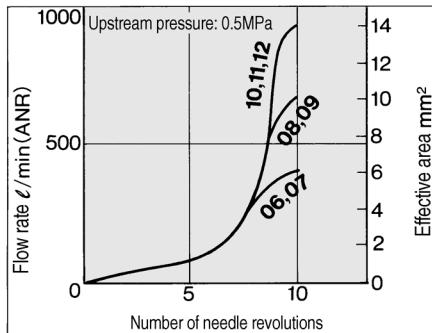
AS2001FG



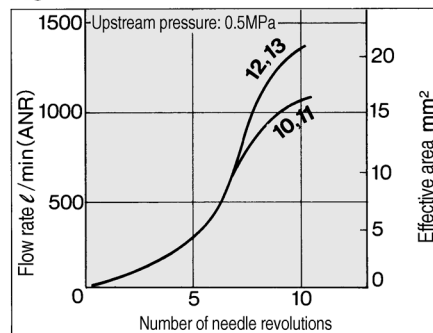
AS2051FG



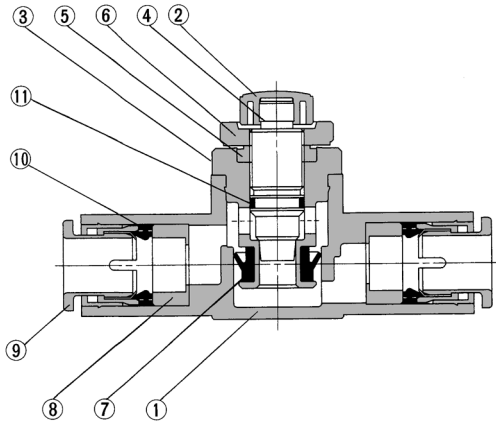
AS3001FG



AS4001FG



Construction

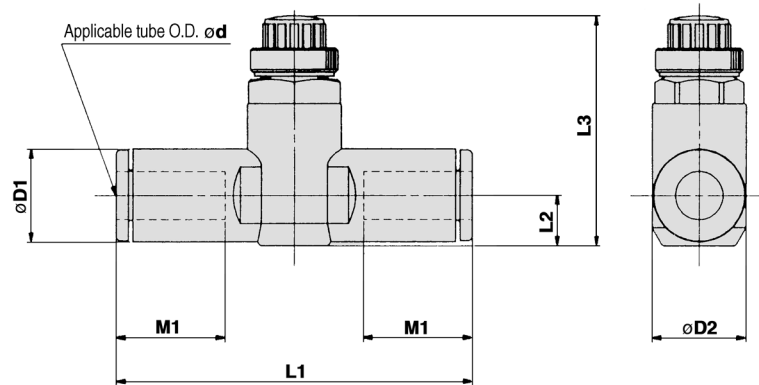


Parts list

No.	Description	Material	Note
1	Body A	PBT	
2	Knob	PBT	
3	Body B	SUS303	
4	Needle	SUS303	
5	Needle guide	SUS303	
6	Lock nut	SUS303	
7	U seal	NBR	
8	Spacer	POM ^{Note 1)}	
9	Cassette	POM, Stainless steel	
10	Seal	NBR	
11	O-ring	NBR	

Note) $\phi 3/16"$, $\phi 3/8"$ and $\phi 1/2"$ are SUS303.

Dimensions



Metric size

Model	d	D1	D2	L1	L2	L3		M1	Weight g	
						Max.	Min.			
AS1001FG-23	3.2	8.4	10	38	4.5	23.5	20.7	12.7	6	
AS1001FG-04	4	9.3		39.2	5.2	24.2	21.4		7	
AS1001FG-06	6	11.6		40.7	6.2	25.2	22.4		13.5	8
AS2001FG-04	4	9.3	11.8	40.7	5.2	32.6	27.6	12.7	12	
AS2001FG-06	6	11.6		44.8	6.3	33.7	28.7		13.5	13
AS2051FG-06	6	12.8	14.8	53.2	6.7	35.2	30.2	17	26	
AS2051FG-08	8	15.2		59.8	8.1	32.6	27.6		18	31
AS3001FG-06	6	12.8	19.8	59	7.4	38.3	33.3	17	18	
AS3001FG-08	8	15.2		64.4	8.2	39.1	34.1		18	21
AS3001FG-10	10	18.5		71.6	9.8	40.6	35.6		21	32
AS3001FG-12	12	20.9	26.5	76	11	41.8	36.8	22	33	
AS4001FG-10	10	18.5		82	11.3	51.1	43.6		21	36
AS4001FG-12	12	20.9				52.1	44.6	22	40	

Inch size

Model	d	D1	D2	L1	L2	L3		M1	Weight g	
						Max.	Min.			
AS1001FG-01	1/8"	8.4	10	38	4.5	23.5	20.7	12.7	6	
AS1001FG-03	5/32"	9.3		39.2	5.2	24.2	21.4		7	
AS1001FG-05	3/16"	11.4		48.7	6.2	25.2	22.4		16.5	8
AS1001FG-07	1/4"	12	11.8	40.7	5.2	32.6	27.6	12.7	12	
AS2001FG-03	5/32"	9.3		40.7	5.2	32.6	27.6		12.7	12
AS2001FG-05	3/16"	11.4	11.8	50	6.2	33.6	28.6	16.5	18	
AS2001FG-07	1/4"	13.2		52.2	7.1	34.5	29.5		17	21
AS2051FG-05	3/16"	11.4	14.8	52.2	6.2	34.6	29.6	16.5	24	
AS2051FG-07	1/4"	13.2		54.4	7.1	35.5	30.5		17	26
AS2051FG-09	5/16"	15.2		59.8	8.1	32.6	27.6		18	31
AS3001FG-07	1/4"	13.2	19.8	59	7.4	38.3	33.3	17	42	
AS3001FG-09	5/16"	15.2		64.4	8.2	39.1	34.1		18	46
AS3001FG-11	3/8"	17.9		70.8	9.5	40.3	35.3		21	53
AS4001FG-11	3/8"	17.9	26.5	76.9	10.3	51	43.5	21	97	
AS4001FG-13	1/2"	21.7		83.1	11.6	52.4	44.9		22	106

Dual Speed Controller with One-touch Fitting Stainless Steel Series

Series ASD-FG



Two flow control valves and check valves have been integrated.

Pop out prevention and speed control of single acting cylinder.

Stable speed control can be achieved even with load fluctuations.

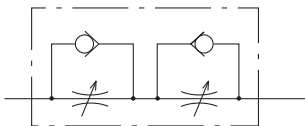


Models

Model	Port size	Applicable tube outside diameter																			
		Metric size					Inch size														
		4	6	8	10	12	1/8"	5/32"	3/16"	1/4"	5/16"	3/8"									
ASD230FG-M5	M5 x 0.8	π●	●																		
ASD330FG-01	R(PT) 1/8		●	●																	
ASD430FG-02	R(PT) 1/4		●	●	●																
ASD530FG-02	R(PT) 1/4		●	●	●	●															
ASD530FG-03	R(PT) 3/8		●	●	●	●															
ASD630FG-04	R(PT) 1/2				●	●															
ASD230FG-U10/32	10-32 UNF						●	●	●	●											
ASD330FG-N01	NPT 1/8										●	●	●								
ASD430FG-N02	NPT 1/4											●	●	●							
ASD530FG-N02	NPT 1/4											●	●	●							
ASD530FG-N03	NPT 3/8											●	●	●							
ASD630FG-N04	NPT 1/2																				●

Specifications

JIS symbol



Proof pressure	1.5MPa
Maximum operating pressure	1MPa
Minimum operating pressure	0.1MPa
Ambient & fluid temperature	-5 to 60°C (with no freezing)
Number of needle revolutions	10 revolutions (8 revolutions ^{Note 1)})
Applicable tube material ^{Note 2)}	Nylon, Soft nylon, Polyurethane, Soft polyurethane

Note 1) For ASD230FG type

Note 2) Use caution regarding the maximum operating pressure with soft nylon, polyurethane and soft polyurethane.

Flow direction symbols on body

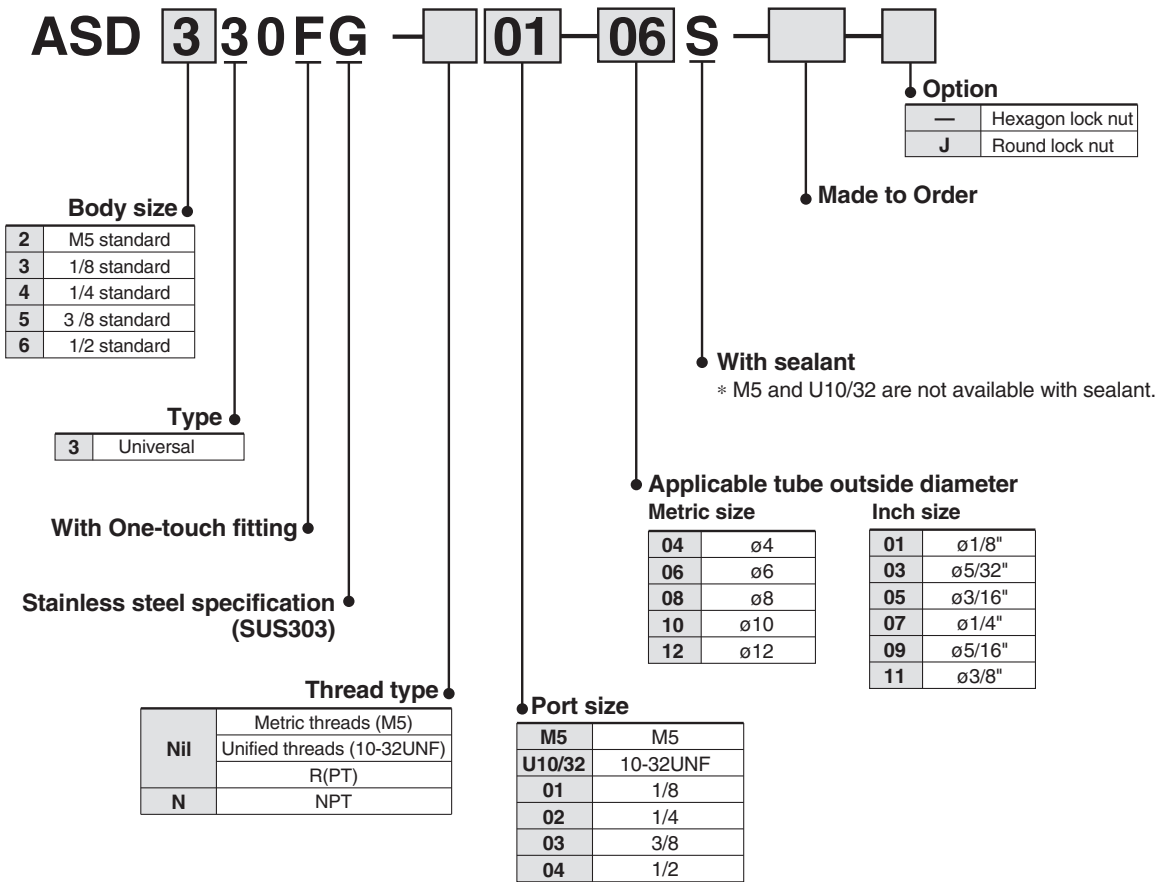
	Meter-out type	Meter-in type
Symbol		
JIS symbol		

Flow Rate and Effective Area

Model		ASD230FG	ASD330FG	ASD430FG		ASD530FG			ASD630FG	
Tube O.D.	Metric size	ø4, ø6	ø6, ø8	ø6	ø8, ø10	ø6	ø8	ø10, ø12	ø10	ø12
	Inch size	ø1/8" ø5/32"	ø3/16" ø1/4"	—	ø1/4" ø5/16" ø3/8"	ø1/4"	ø5/16"	ø3/8"	—	ø3/8"
Controlled flow (Free)	Flow rate ℓ/min (ANR)	75	175	295	350	500	600	700	1200	1300
	Effective area mm ²	1.1	2.7	4.5	5.3	7.6	9.1	10.7	18.3	19.8

Note 1) Flow rate values are at a pressure of 0.5MPa and a temperature of 20°C.

How to Order



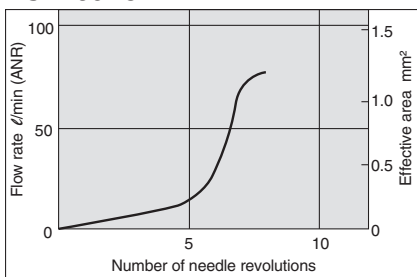
Made to Order

1 Lubricant: Vaseline

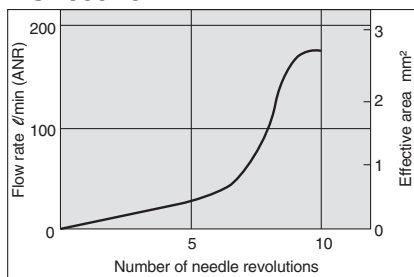
X12

Needle Valve/Flow Rate Characteristics

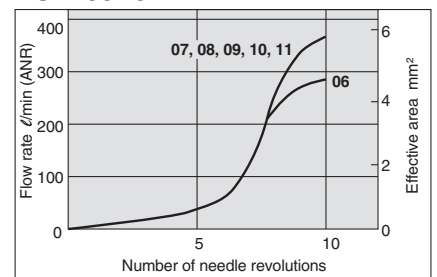
ASD230FG



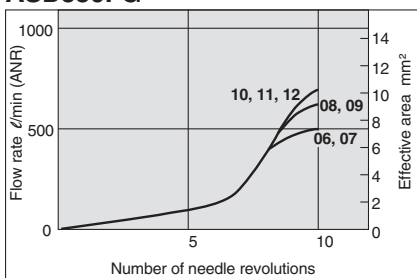
ASD330FG



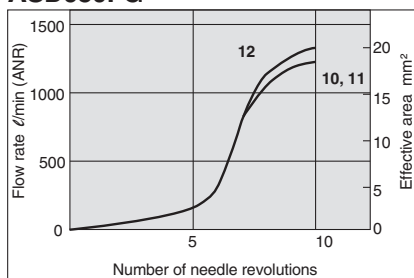
ASD430FG



ASD530FG



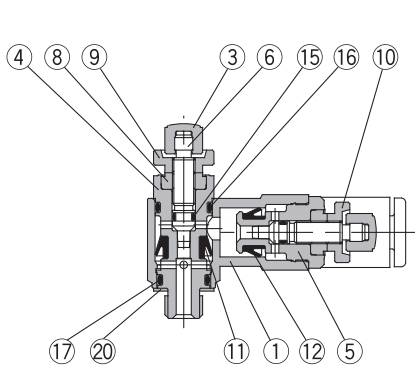
ASD630FG



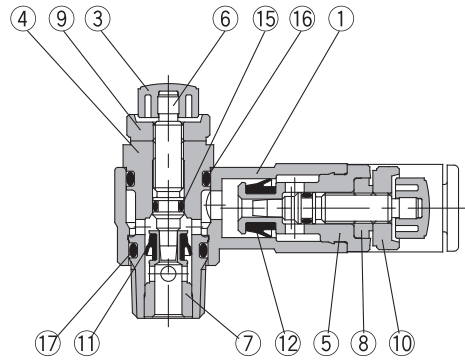
Series ASD-FG

Construction

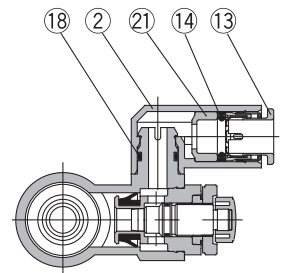
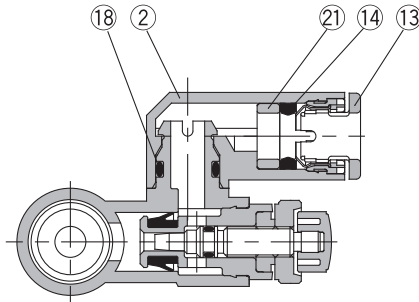
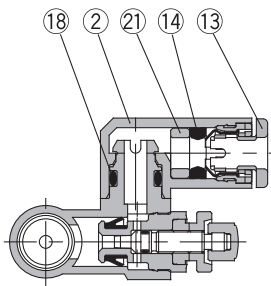
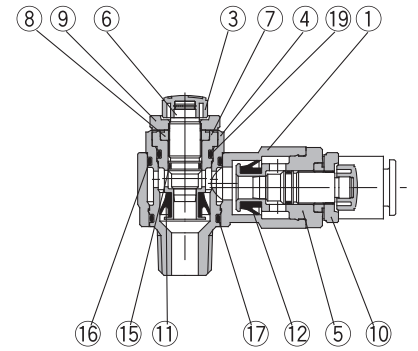
ASD230FG



ASD330FG/430FG ASD530FG/630FG



ASD530FG-02



Parts list

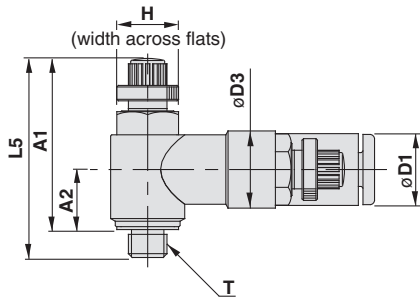
No.	Description	Material	Note
1	Body A	PBT	
2	Elbow body	PBT	
3	Knob	PBT	
4	Body B	SUS303	
5	Body B	SUS303	
6	Needle	SUS303	
7	Seat ring	SUS303	
8	Needle guide	SUS303	
9	Lock nut	SUS303	
10	Lock nut	SUS303	
11	U seal	HNBR	

No.	Description	Material	Note
12	U seal	NBR	
13	Cassette	POM, Stainless steel	
14	Seal	NBR	
15	O-ring	NBR	
16	O-ring	NBR	
17	O-ring	NBR	
18	O-ring	NBR	
19	O-ring	NBR	
20	Gasket	NBR, Stainless steel	M5 type only
21	Spacer	POM ^{Note 1)}	

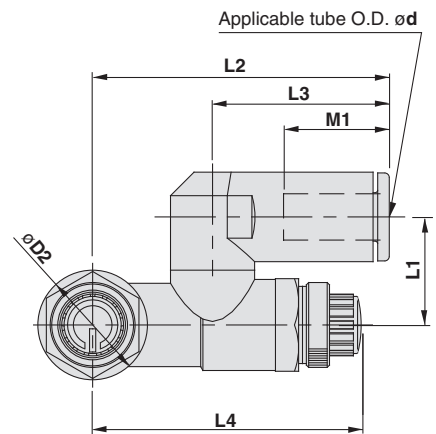
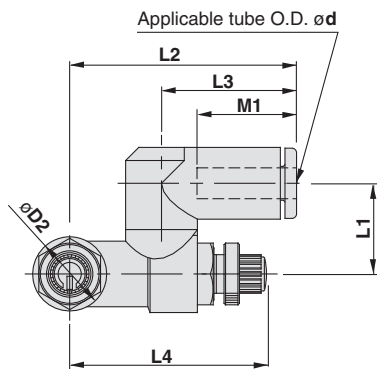
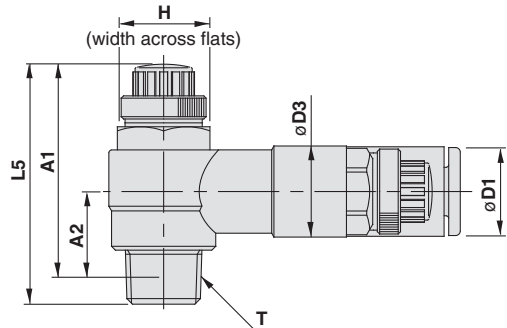
Note 1) $\phi 3/16"$, $\phi 3/8"$ and $\phi 1/2"$ are SUS303.

Dimensions/Metric Size

ASD230FG



ASD330FG/430FG ASD530FG/630FG



Metric size

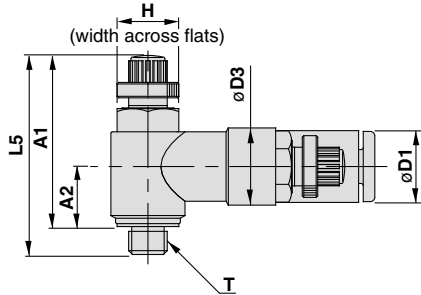
Model	d	T	H	D1	D2	D3	L1	L2	L3	L4		L5		A1*		A2*	M1	
										Max.	Min.	Max.	Min.	Max.	Min.			
ASD230FG-M5-04	4	M5	8	9.3	9.6	10	11.7	29.4	17.5	28.3	25.5	28.6	25.8	25	22.2	7.8	12.9	
ASD230FG-M5-06	6			11.6													20.6	13.7
ASD330FG-01-06S	6	R(PT) 1/8	12	11.6	14.2	11.8	14	38.5	22.9	39.6	34.6	35.2	30.2	32.1	27.1	10.6	13.7	
ASD330FG-01-08S	8			15.2													33.9	18.5
ASD430FG-02-06S	6	R(PT) 1/4	17	12.8	18.5	15	18	43.5	25.2	41.7	36.7	39.9	34.9	34.4	29.4	11	17	
ASD430FG-02-08S	8			15.2													28.2	18.5
ASD430FG-02-10S	10			18.5													31	21
ASD530FG-02-06S	6	R(PT) 1/4	19	12.8	23	19.8	20.3	48.3	25.2	46.9	41.9	48.3	43.3	42.8	37.8	15.4	17	
ASD530FG-02-08S	8			15.2													28.2	18.5
ASD530FG-02-10S	10			18.5													32.6	21
ASD530FG-02-12S	12			20.9													34.4	22
ASD530FG-03-06S	6	R(PT) 3/8	19	12.8	23	19.8	20.3	48.3	25.2	46.9	41.9	47.7	42.7	40	35	14	17	
ASD530FG-03-08S	8			15.2													28.2	18.5
ASD530FG-03-10S	10			18.5													32.6	21
ASD530FG-03-12S	12			20.9													34.4	22
ASD630FG-04-10S	10	R(PT) 1/2	24	18.5	28.6	26.5	25.9	64.3	32.6	64.8	57.3	56.7	49.2	49.6	42.1	18.6	21	
ASD630FG-04-12S	12			20.9				34.4	22									

* Reference dimensions for M5 and R(PT) threads after installation.

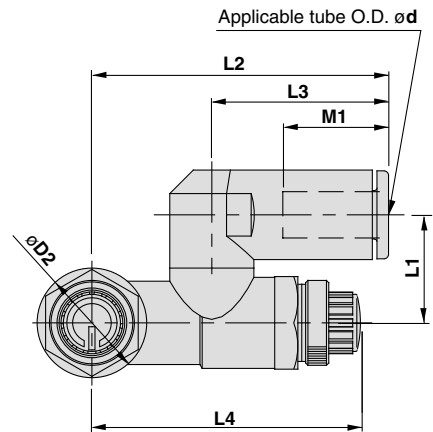
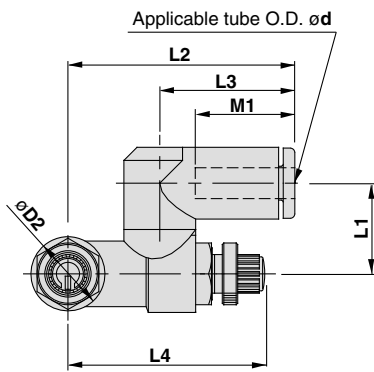
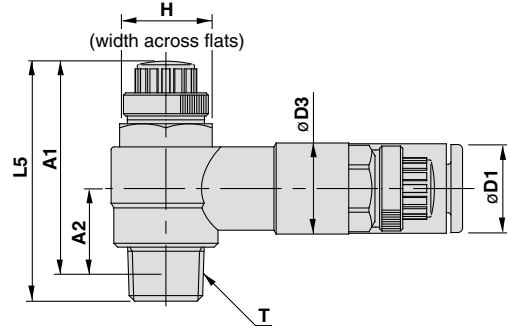
Series ASD-FG

Dimensions/Inch Size

ASD230FG



ASD330FG/430FG ASD530FG/630FG



Inch size

Model	d	T	H	D1	D2	D3	L1	L2	L3	L4		L5		A1 *		A2 *	M1
										Max.	Min.	Max.	Min.	Max.	Min.		
ASD230FG-U10/32-01	1/8"	10-32 UNF	8	8.4	9.6	10	11.7	29.4	17.5	28.3	25.5	28.6	25.8	25	22.2	7.8	12.9
ASD230FG-U10/32-03	5/32"			9.3													
ASD230FG-U10/32-05	3/16"			11.4													
ASD230FG-U10/32-07	1/4"			12													
ASD330FG-N01-05S	3/16"	NPT1/8	12.7	11.6	14.2	11.8	14	38.5	23.9	39.6	34.6	35.2	30.2	32	27	10.6	16.5
ASD330FG-N01-07S	1/4"			13.2			15.8	42.2	25.6	38.9	33.9						17
ASD330FG-N01-09S	5/16"			15.2			15.8	44.8	28.2	18.5							
ASD430FG-N02-07S	1/4"	NPT1/4	17.5	13.2	18.5	15	18	43.9	25.6	41.7	36.7	39.9	34.9	34.6	29.6	11	17
ASD430FG-N02-09S	5/16"			15.2			18	46.5	28.2								18.5
ASD430FG-N02-11S	3/8"			18.5			19.7	49.3	31								21
ASD530FG-N02-07S	1/4"	NPT1/4	19	13.2	23	19.8	20.3	48.7	25.6	46.9	41.9	48.3	43.3	43	38	15.4	17
ASD530FG-N02-09S	5/16"			15.2			20.3	51.3	28.2								18.5
ASD530FG-N02-11S	3/8"			18.5			23.1	54.1	32.6								21
ASD530FG-N03-07S	1/4"	NPT3/8	19	13.2	23	19.8	20.3	48.7	25.6	46.9	41.9	45.4	40.4	40.3	35.3	14	17
ASD530FG-N03-09S	5/16"			15.2			20.3	51.3	28.2								18.5
ASD530FG-N03-11S	3/8"			18.5			23.1	54.1	32.6								21
ASD630FG-N04-11S	3/8"	NPT1/2	23.8	18.5	28.6	26.5	25.9	64.3	32.6	64.8	57.3	56.7	49.2	46.9	42.1	18.6	21

* Reference dimensions for 10-32UNF and NPT threads after installation.

Speed Controller for Low Speed Operation

Series AS-FM

With One-touch Fitting (Resin Body)

RoHS

Models



Elbow type	Universal type	Port size	Applicable tube outside diameter											
			Metric size			Inch size								
			3.2	4	6	8	10	1/8"	5/32"	3/16"	1/4"	5/16"	3/8"	
AS12□1FM-M5	AS13□1FM-M5	M5	●	●	●									
AS22□1FM-01	AS23□1FM-01	R1/8	●	●	●	●								
AS22□1FM-02	AS23□1FM-02	R1/4		●	●	●	●							
AS12□1FM-U10/32	AS13□1FM-U10/32	10-32UNF						●	●	●	●			
AS22□1FM-N01	AS23□1FM-N01	NPT1/8						●	●	●	●	●		
AS22□1FM-N02	AS23□1FM-N02	NPT1/4							●	●	●	●	●	

Specifications

Proof pressure	1.5MPa
Maximum operating pressure	1.0MPa
Minimum operating pressure	0.1MPa
Ambient and fluid temperature	-5 to 60°C (with no freezing)
Number of needle revolutions	10 revolutions (20 revolutions ^{Note 1)})
Applicable tubing material ^{Note 2)}	Nylon, Soft nylon, Polyurethane, Soft polyurethane
Option ^{Note 3)}	With seal, hexagon lock nut

Note 1) For types AS12□1FM and AS13□1FM.

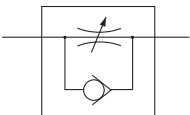
Note 2) Use caution regarding the maximum operating pressure with soft nylon, polyurethane and soft polyurethane.

Note 3) M5 and 10-32UNF type ports are not available with sealant.

Note 4) All brass parts are electroless nickel plated.

The lock nut of the meter-out type is zinc chromate plated, then, the handle of the M5 type and the lock nut of the meter-in type are black zinc chromate plate.

JIS symbol



Flow direction symbols on body

	Meter-out type	Meter-in type
Symbol		
JIS symbol		

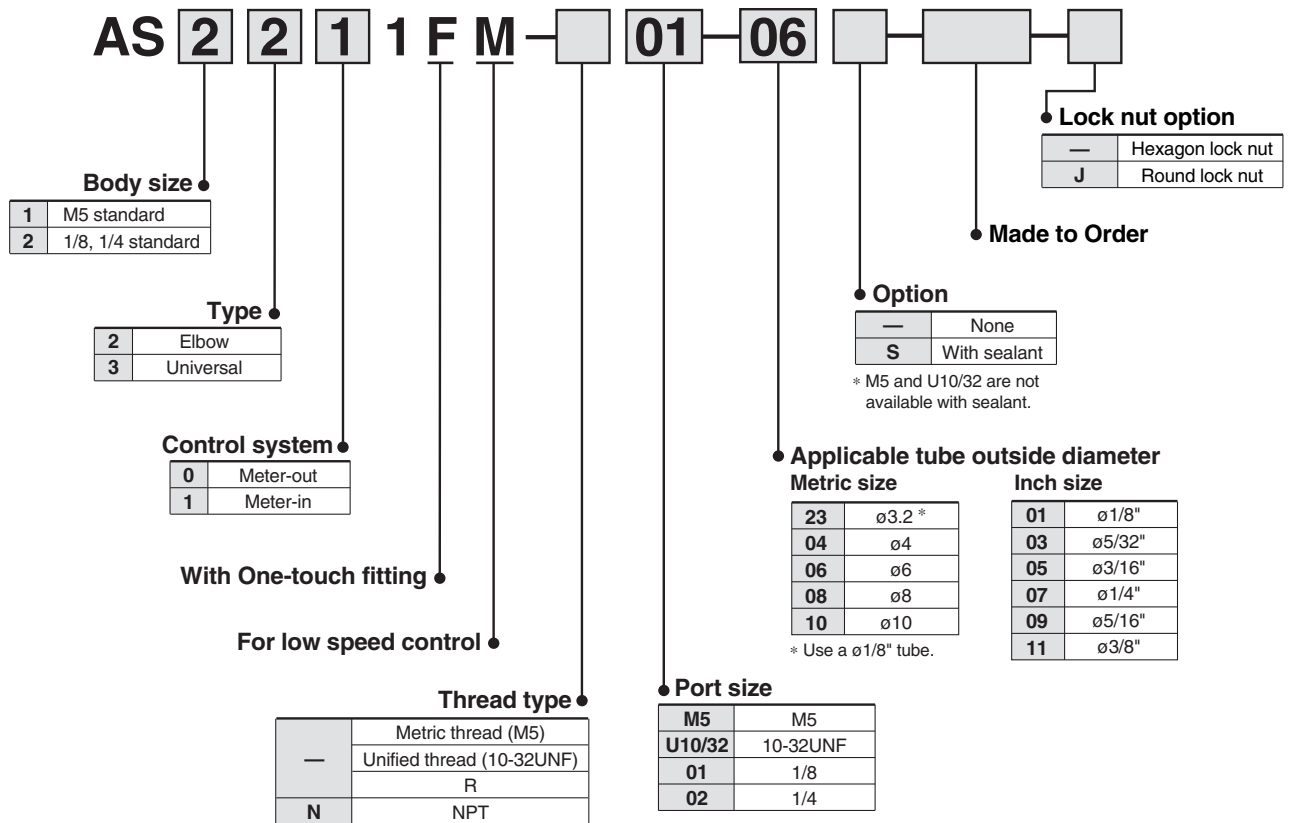
Flow Rate and Effective Area

Models		AS12□1FM AS13□1FM	AS22□1FM-□01 AS23□1FM-□01	AS22□1FM-□02 AS23□1FM-□02
Tube O.D.	Metric size	ø3.2, ø4, ø6	ø3.2, ø4	ø6, ø8
	Inch size	ø1/8", ø5/32", ø3/16" ø1/4"	ø1/8", ø5/32"	ø3/16", ø1/4" ø5/16"
Controlled flow	Flow rate ℓ/min (ANR)	7	12	38
	Effective area mm ²	0.1	0.2	0.6
Free flow	Flow rate ℓ/min (ANR)	100	180	230
	Effective area mm ²	1.5	2.7	3.5
		260	390	460
		4	6	7

Note) The flow rate value is at a pressure of 0.5MPa and temperature of 20°C.

Series AS-FM

How to Order



Made to Order

1 Lubricant: Vaseline **X12**

Ex.) AS1201FM-M5-23-X12

2 Grease-free (Seal: Fluorine Coating) + Throttle Valve (Without Check Valve) **X21**

Ex.) AS1201FM-M5-23-X21

Note 1) Not particle-free

Note 2) Throttle valve is only compatible with the part no. of the meter-out type.

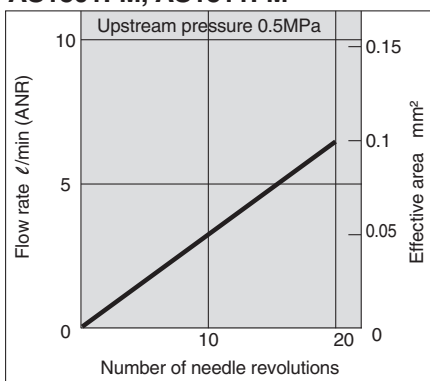
3 Throttle Valve (Without Check Valve) **X214**

Ex.) AS1201FM-M5-23-X214

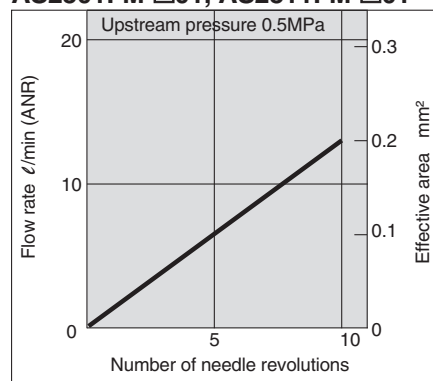
Note) Throttle valve is only compatible with the part no. of the meter-out type.

Needle Valve/Flow Rate Characteristics

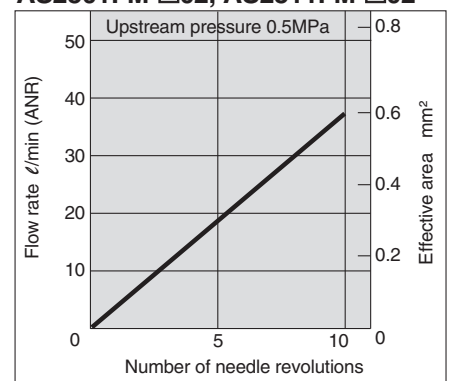
AS1201FM, AS1211FM
AS1301FM, AS1311FM



AS2201FM-□01, AS2211FM-□01
AS2301FM-□01, AS2311FM-□01



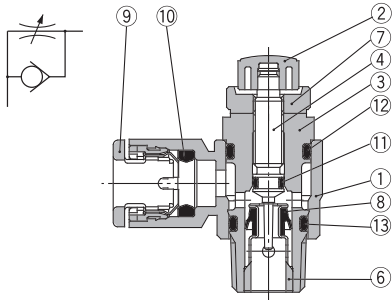
AS2201FM-□02, AS2211FM-□02
AS2301FM-□02, AS2311FM-□02



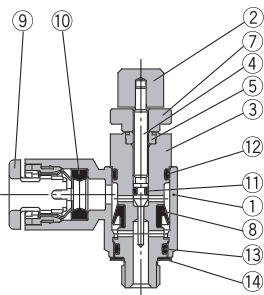
Construction/Elbow Type

Meter-out type

JIS symbol

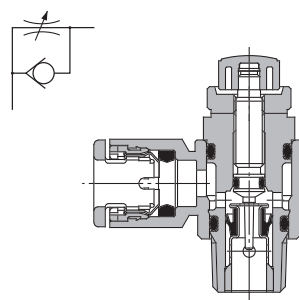


<M5 type>
<U10/32 type>

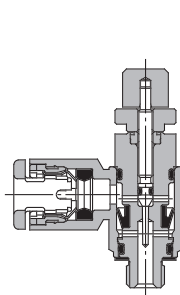


Meter-in type

JIS symbol



<M5 type>
<U10/32 type>



Parts list

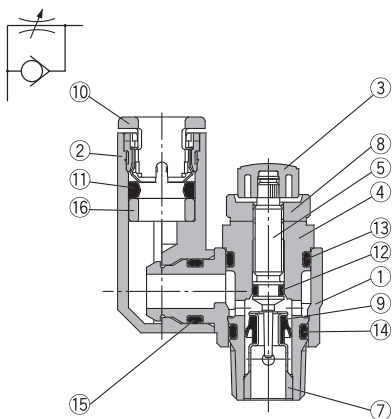
No.	Description	Material	Note
1	Body A	PBT	White
2	Knob	PBT	Black ^{Note 1)}
3	Body B	Brass	Electroless nickel plated
4	Needle	Brass	Electroless nickel plated
5	Needle guide	Brass	Electroless nickel plated, M5 type only
6	Seat ring	Brass	Electroless nickel plated
7	Lock nut	Steel	Zinc chromated ^{Note 2)}
8	U-seal	NBR	
9	Cassette	POM, Stainless steel	
10	Seal	NBR	
11	O-ring	NBR	
12	O-ring	NBR	
13	O-ring	NBR	
14	Gasket	NBR, Stainless steel	M5 type only

Note 1) The M5 and U10/32 types are black zinc chromated brass.
Note 2) The AS23□1FM type is steel.
Note 3) The meter-in type is black zinc chromated.

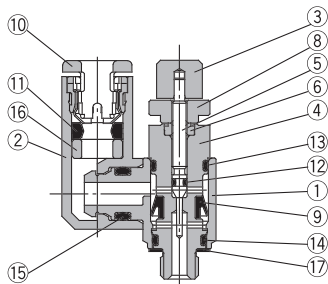
Construction/Universal Type

Meter-out type

JIS symbol

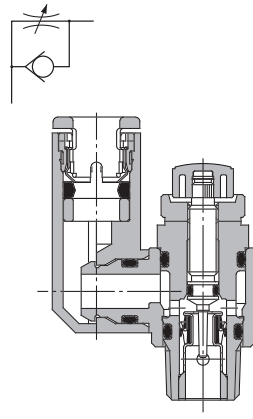


<M5 type>
<U10/32 type>

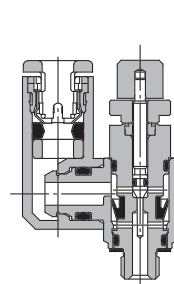


Meter-in type

JIS symbol



<M5 type>
<U10/32 type>



Parts list

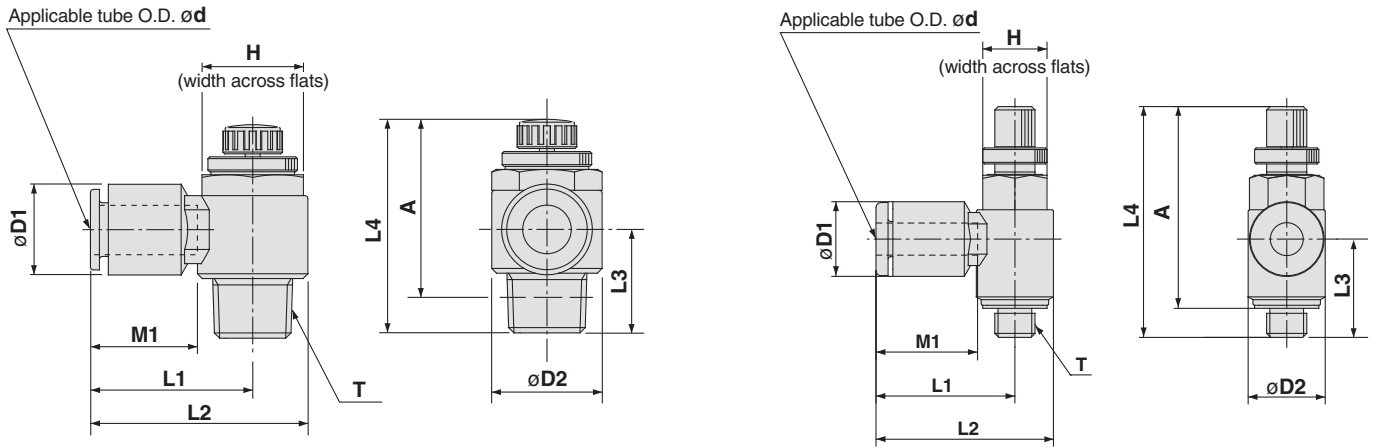
No.	Description	Material	Note
1	Body A	PBT	White
2	Elbow body	PBT	White
3	Knob	PBT	Black ^{Note 1)}
4	Body B	Brass	Electroless nickel plated
5	Needle	Brass	Electroless nickel plated
6	Needle guide	Brass	Electroless nickel plated, M5 type only
7	Seat ring	Brass	Electroless nickel plated
8	Lock nut	Steel	Zinc chromated ^{Note 2)}
9	U-seal	NBR	
10	Cassette	POM, Stainless steel	
11	Seal	NBR	
12	O-ring	NBR	
13	O-ring	NBR	
14	O-ring	NBR	
15	O-ring	NBR	
16	Spacer	—	Polyacetal
17	Gasket	NBR, Stainless steel	M5 type only

Note 1) The M5 and U10/32 types are black zinc chromated brass.
Note 2) The AS23□1FM type is steel.
Note 3) The meter-in type is black zinc chromated.

Series AS-FM

Dimensions/Elbow Type

M5 type U10/32 type



Metric sizes

Model	d	T	H	D1	D2	L1	L2	L3	L4		A *		M1	Weight g
									Max.	Min.	Max.	Min.		
AS12□1FM-M5-23	3.2	M5	8	8.4	9.6	17.3	22.1	12.3	28.6	25.8	25	22.2	12.7	7
AS12□1FM-M5-04	4			9.3		22.1								
AS12□1FM-M5-06	6			11.6		22.9								
AS22□1FM-01-23	3.2	R1/8	12	9.3	14.2	20.4	27.5	13.4	35.2	30.2	32.1	27.1	12.7	17
AS22□1FM-01-04	4			9.3		27.5								
AS22□1FM-01-06	6			11.6		27.5								
AS22□1FM-01-08	8			15.2		32.4								
AS22□1FM-02-04	4	R1/4	17	10.4	18.5	25.2	34.4	17.7	39.9	34.9	34.4	29.4	16	32
AS22□1FM-02-06	6			12.8		34.4								
AS22□1FM-02-08	8			15.2		36.4								
AS22□1FM-02-10	10			18.5		43.2								

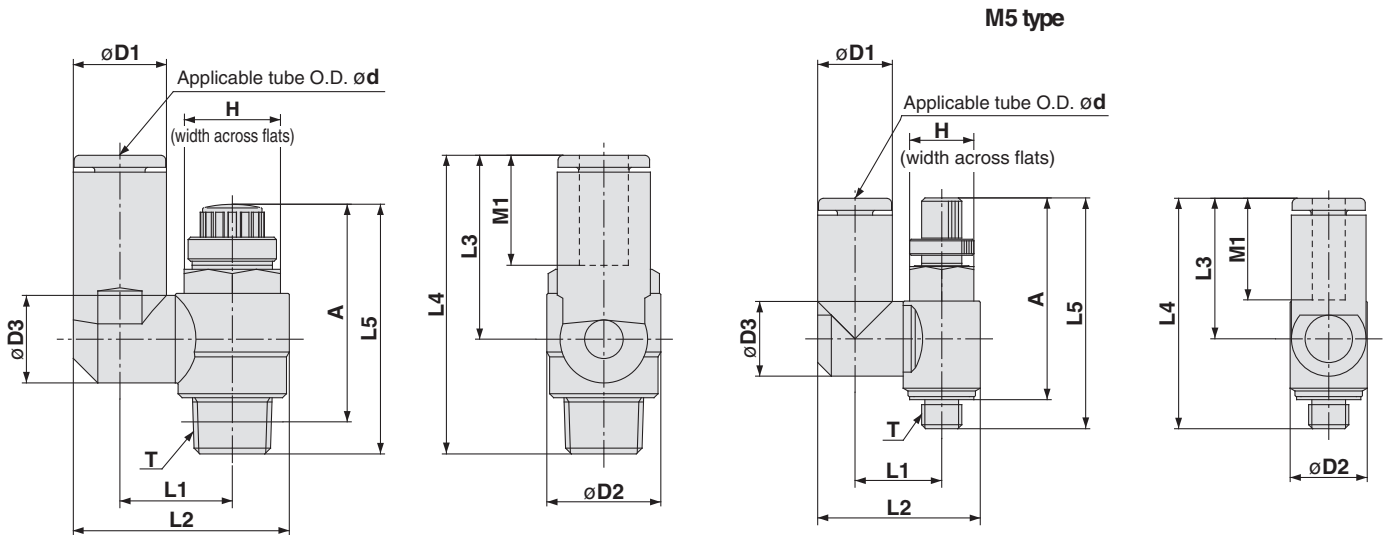
* Reference dimensions for M5 and R threads after installation.

Inch sizes

Model	d	T	H	D1	D2	L1	L2	L3	L4		A *		M1	Weight g
									Max.	Min.	Max.	Min.		
AS12□1FM-U10/32-01	1/8"	10-32UNF	8	8.4	9.6	17.3	22.1	12.3	33.8	28.8	30.1	25.1	12.7	7
AS12□1FM-U10/32-03	5/32"			9.3		22.1								
AS12□1FM-U10/32-05	3/16"			11.4		26.1								
AS12□1FM-U10/32-07	1/4"			12		23.1								
AS22□1FM-N01-01	1/8"	NPT1/8	12.7	9.3	14.2	20.4	27.5	13.4	35.2	30.2	32.1	27.1	12.7	16
AS22□1FM-N01-03	5/32"			11.4		30.2								
AS22□1FM-N01-05	3/16"			13.2		31								
AS22□1FM-N01-07	1/4"			15.2		32.4								
AS22□1FM-N01-09	5/16"	NPT1/4	17.5	10.4	18.5	25.2	34.4	17.7	39.9	34.9	34.4	29.4	16	32
AS22□1FM-N02-03	5/32"			11.4		34.2								
AS22□1FM-N02-05	3/16"			13.2		34.5								
AS22□1FM-N02-07	1/4"			15.2		36.4								
AS22□1FM-N02-09	5/16"	NPT1/4	17.5	17.9	18.5	33.9	43.2	19.5	39.9	34.9	34.4	29.4	18.5	34
AS22□1FM-N02-11	3/8"			17.9		43.2								

* Reference dimensions for 10-32UNF and NPT threads after installation.

Dimensions/Universal type



M5 type

Metric sizes

Model	d	T	H	D1	D2	D3	L1	L2	L3	L4	L5		A*		M1	Weight g			
											Max.	Min.	Max.	Min.					
AS13□1FM-M5-23	3.2	M5	8	8.4	9.6	9.3	10.8	19.8	17.5	28.7	28.6	25.8	25	22.2	12.7	8			
AS13□1FM-M5-04	4			20.3															
AS13□1FM-M5-06	6			21.4				20.6									31.8		
AS23□1FM-01-23	3.2	R1/8	14.2	8.4	14.2	9.3	13.1	24.4	17.5	30.9	35.2	30.2	32.1	27.1	12.7	17			
AS23□1FM-01-04	4			9.3				24.9											
AS23□1FM-01-06	6			11.6				26.9									22.9	36.3	
AS23□1FM-01-08	8			15.2				30.9									28.2	40.8	
AS23□1FM-02-04	4	R1/4	18.5	10.4	18.5	12.9	16.2	30.6	21.9	39.6	39.9	34.9	34.4	29.4	16	33			
AS23□1FM-02-06	6			12.9				18.4									34	25.2	42.1
AS23□1FM-02-08	8			15.2				18.3									35.2	28.2	45.1
AS23□1FM-02-10	10			12.9				20.2									38.7	31	47.9

* Reference dimensions for M5 and R threads after installation.

Inch sizes

Model	d	T	H	D1	D2	D3	L1	L2	L3	L4	L5		A*		M1	Weight g			
											Max.	Min.	Max.	Min.					
AS13□1FM-U10/32-01	1/8"	10-32UNF	8	8.4	9.6	9.3	10.8	19.8	17.5	28.7	33.8	28.8	30.1	25.1	12.7	7			
AS13□1FM-U10/32-03	5/32"			9.3				20.3											
AS13□1FM-U10/32-05	3/16"			11.4				21.3									23.3	34.5	
AS13□1FM-U10/32-07	1/4"	NPT1/8	12.7	12	14.2	10.9	14	21.6	17.5	30.9	35.2	30.2	32.1	27.1	12.7	17			
AS23□1FM-N01-01S	1/8"			9.3				24.4									17.5	30.9	
AS23□1FM-N01-03S	5/32"			9.3				24.9									26.8	23.9	37.3
AS23□1FM-N01-05S	3/16"			11.4				26.8									23.9	38.2	
AS23□1FM-N01-07S	1/4"	NPT1/4	17.5	13.2	18.5	12.9	16.2	29.9	21.9	39.6	39.9	34.9	34.4	29.4	16.5	19			
AS23□1FM-N01-09S	5/16"			15.2				30.9									28.2	40.8	
AS23□1FM-N02-03S	5/32"			10.4				31.1									23.9	41.6	
AS23□1FM-N02-05S	3/16"	NPT1/4	17.5	11.4	18.5	12.9	16.2	31.1	21.9	39.6	39.9	34.9	34.4	29.4	18.5	36			
AS23□1FM-N02-07S	1/4"			13.2				34.2									25.6	42.5	
AS23□1FM-N02-09S	5/16"			15.2				35.2									28.2	45.1	
AS23□1FM-N02-11S	3/8"			17.9				38.7									31	47.9	

* Reference dimensions for 10-32UNF and NPT threads after installation.

Speed Controller for Low Speed Operation

Series AS-M

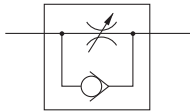
Standard Type (Metal Body)

RoHS

Specifications



JIS symbol



Model		AS12□0M		AS22□0M-□01		AS22□0M-□02	
Port size	Cylinder side	M5	10-32UNF	R1/8	NPT1/8	R1/4	NPT1/4
	Tube side			Rc1/8		Rc1/4	
Applicable cylinder bore size mm		6, 10, 15, 20, 25		20, 25, 32, 40			
Proof pressure		1.5MPa					
Maximum operating pressure		1.0MPa					
Minimum operating pressure		0.1MPa					
Ambient and fluid temperature		-5 to 60°C (with no freezing)					
Number of needle revolutions		20 revolutions		10 revolutions			
Option		-		With sealant			
Weight g		11.5		36		74	
Controlled flow	Flow rate ℓ/min (ANR)	7		12		38	
	Effective area mm ²	0.1		0.2		0.6	
Free flow	Flow rate ℓ/min (ANR)	105		280		420	
	Effective area mm ²	1.6		4.3		6.5	

Note 1) The flow rate value is at a pressure of 0.5MPa and temperature of 20°C.

Note 2) The meter-out and meter-in types can be visually identified by the lock nut.

On the meter-out type it is electroless nickel plated, while on the meter-in type it is black zinc chromated.

Note 3) All brass parts are electroless nickel plated. The lock nut on the meter-out type is zinc chromate plated, then, the handle on all types and the lock nut on the meter-in type are black zinc chromate plated.

How to Order

AS 2 2 0 0 M □ □ 01 □ □ □ □

Body size

1	M5 standard
2	1/8, 1/4 standard

Type

2	Direct cylinder connection elbow type
---	---------------------------------------

Control system

0	Meter-out
1	Meter-in

For low speed control

Thread type

Symbol	Cylinder side	Tube side
-	R	Rc
	Metric thread (M5)	
	Unified thread (10-32UNF)	
N	NPT	

Option

-	None
S	With sealant

* M5 and U10/32 are not available with sealant.

Lock nut option

-	Hexagon lock nut
J	Round lock nut

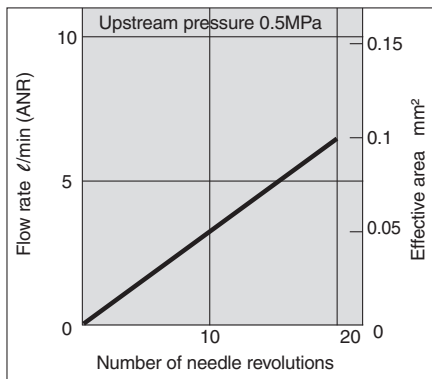
Port sizes

Symbol	Port size	Applicable series
M5	M5	AS12□0M-M5
U10/32	10-32UNF	AS12□0M-U10/32
01	1/8	AS22□0M-01
02	1/4	AS22□0M-02

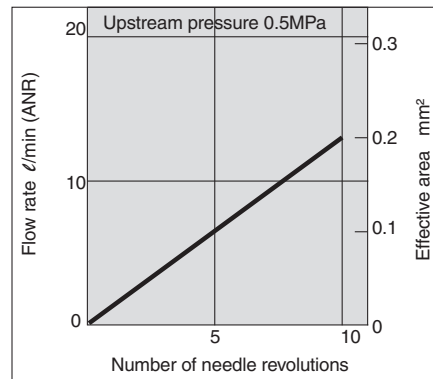
Made to Order

Needle Valve/Flow Rate Characteristics

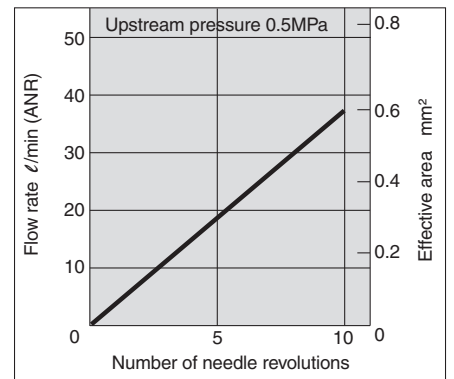
AS12□0M



AS22□0M-□01



AS22□0M-□02



Made to Order

1 Lubricant: Vaseline **X12**

Ex.) AS2200M-01-X12

3 Throttle Valve (Without Check Valve) **X214**

Ex.) AS2200M-01-X214

Note) Throttle valve is only compatible with the part no. of the meter-out type.

2 Grease-free (Seal: Fluorine Coating) + Throttle Valve (Without Check Valve) **X21**

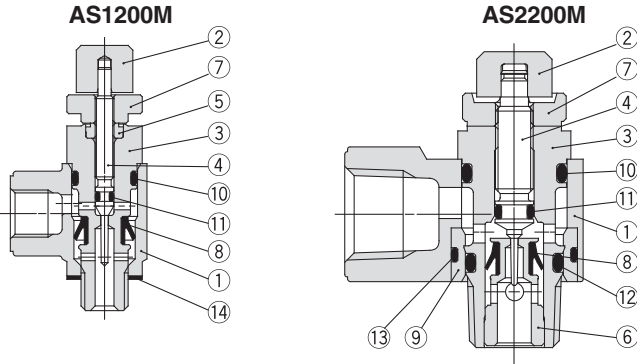
Ex.) AS2200M-01-X21

Note 1) Not particle-free

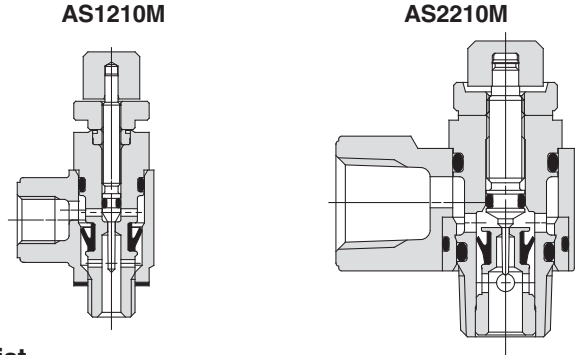
Note 2) Throttle valve is only compatible with the part no. of the meter-out type.

Construction

Meter-out type



Meter-in type



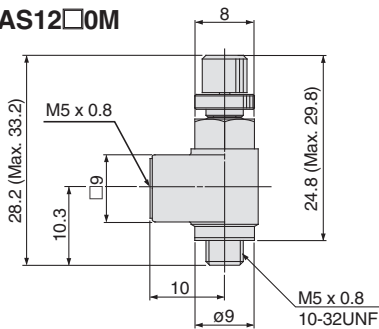
Parts list

No.	Description	Material	Note
1	Body A	Zinc alloy	
2	Handle	Brass	Black zinc chromated
3	Body B	Brass	Electroless nickel plated
4	Needle	Brass	Electroless nickel plated
5	Needle guide	Brass	Electroless nickel plated
6	Seat ring	Brass	Electroless nickel plated
7	Lock nut	Steel	Zinc chromated
8	U-seal	NBR	
9	Bushing	PBT	
10	O-ring	NBR	
11	O-ring	NBR	
12	O-ring	NBR	
13	O-ring	NBR	
14	Gasket	NBR/Stainless	

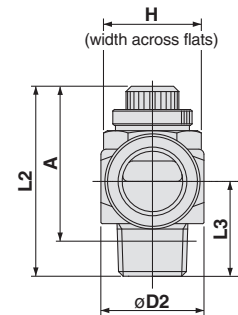
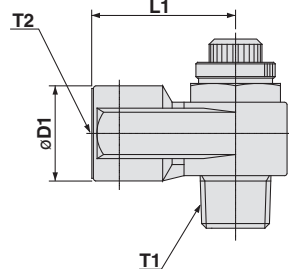
Note) The meter-in type is black zinc chromated.

Dimension

AS12□0M



AS22□0M-□ 01 02



Dimensions

Model	T1	T2	H	L1	L2		L3	D1	D2	A*	
					Max.	Min.				Max.	Min.
AS12□0M-M5	M5		8	10	33.2	28.2	10.3	9	9	29.8	24.8
AS12□0M-U10/32	10-32UNF										
AS22□0M-01	R1/8	Rc1/8	12	18	35.5	30.5	13.2	14.3	14.6	32.4	27.4
AS22□0M-N01	NPT1/8										
AS22□0M-02	R1/4	Rc1/4	17	27.2	39.4	35.4	17.5	18	19.5	34.9	29.9
AS22□0M-N02	NPT1/4										

* Dimensions for R and NPT threads after installation

Speed Controller for Low Speed Operation

Series AS-FM

In-line Type

RoHS



Models

Model	Applicable tubing O.D.									Applicable cylinder bore size (mm)
	Metric size				Inch size					
	3.2	4	6	8	1/8"	5/32"	3/16"	1/4"	5/16"	
AS1001FM	●	●	●		●	●	●	●		6, 10, 16, 20
AS2001FM		●	●			●	●	●		20, 25, 32
AS2051FM			●	●			●	●	●	20, 25, 32, 40

Specifications

Proof pressure	1.5MPa
Maximum operating pressure	1MPa
Minimum operating pressure	0.1MPa
Ambient and fluid temperature	0 to 60°C
Number of needle revolutions	10 revolutions (20 revolutions ^{Note 1)})
Applicable tubing materials ^{Note 2)}	Nylon, Soft nylon, Polyurethane, Soft polyurethane

Note 1) For type AS1001FM.

Note 2) Use caution regarding the maximum operating pressure with soft nylon, polyurethane and soft polyurethane. (Refer to CAT.E501-B "Air Fittings and Tubing" for details.)

Note 3) All brass parts are electroless nickel plated.

The knob of the M5 type is black zinc chromated.

Flow Rate and Effective Area

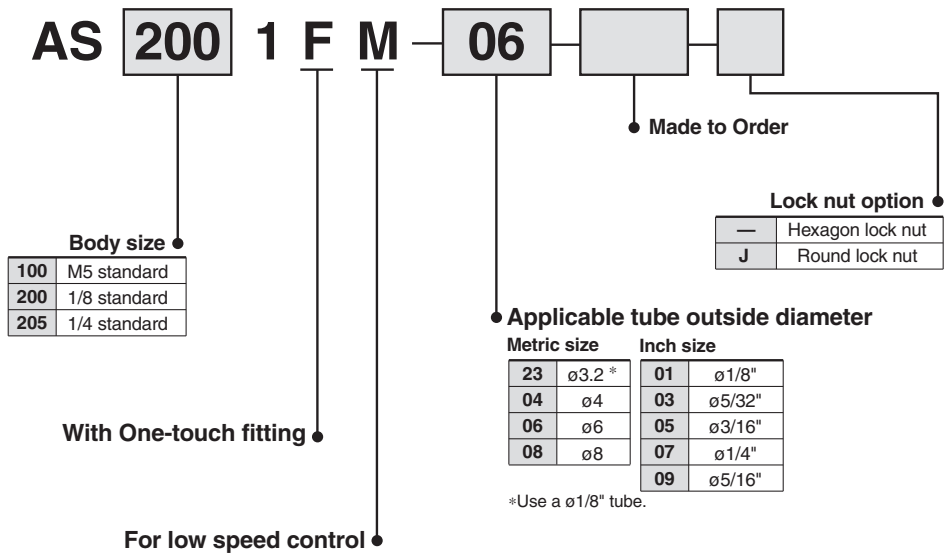
Flow direction symbols on body



Model		AS1001FM	AS2001FM		AS2051FM	
Tube O.D.	Metric size	ø3.2, ø4, ø6	ø4	ø6	ø6	ø8
	Inch size	ø1/8", ø5/32", ø3/16" ø1/4"	ø5/32"	ø3/16", ø1/4"	ø3/16"	ø1/4", ø5/16"
Controlled flow	Flow rate ℓ /min (ANR)	7	12		38	
	Effective area mm ²	0.1	0.2		0.6	
Free flow	Flow rate ℓ /min (ANR)	100	130	230	290	460
	Effective area mm ²	1.5	2	3.5	4.5	7

Note) The flow rate value is at a pressure of 0.5MPa and temperature of 20°C.

How to Order



Made to Order

1 Lubricant: Vaseline

X12

Ex.) AS2001FM-04-X12

2 Grease-free (Seal: Fluorine Coating) + Throttle Valve (Without Check Valve)

X21

Ex.) AS2001FM-04-X21

Note 1) Not particle-free

Note 2) Throttle valve is only compatible with the part no. of the meter-out type.

3 Throttle Valve (Without Check Valve)

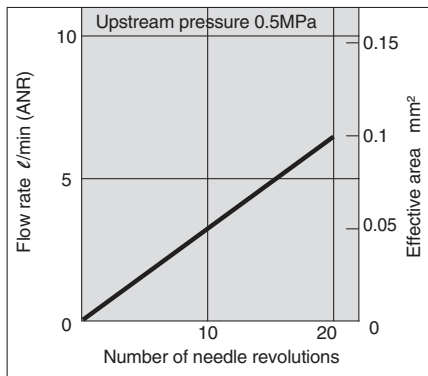
X214

Ex.) AS2001FM-04-X214

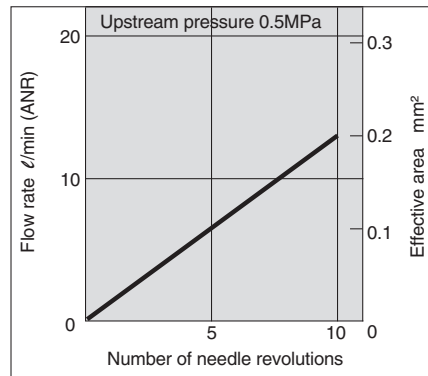
Note) Throttle valve is only compatible with the part no. of the meter-out type.

Needle Valve/Flow Rate Characteristics

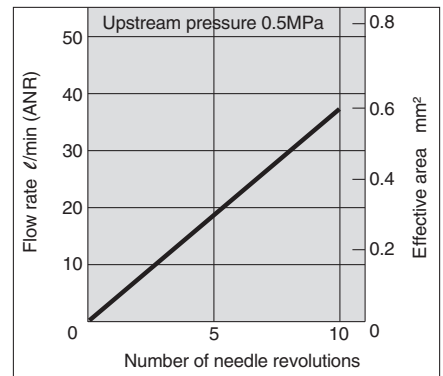
AS1001FM



AS2001FM

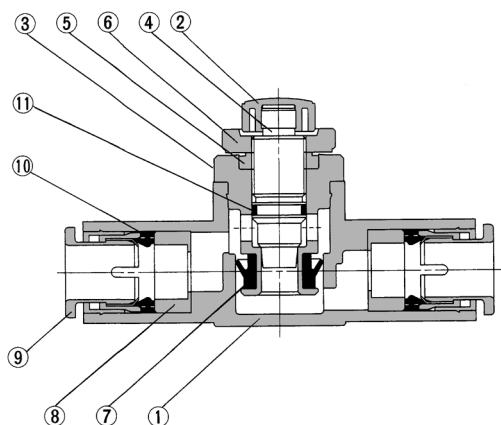


AS2051FM



Series AS-FM

Construction

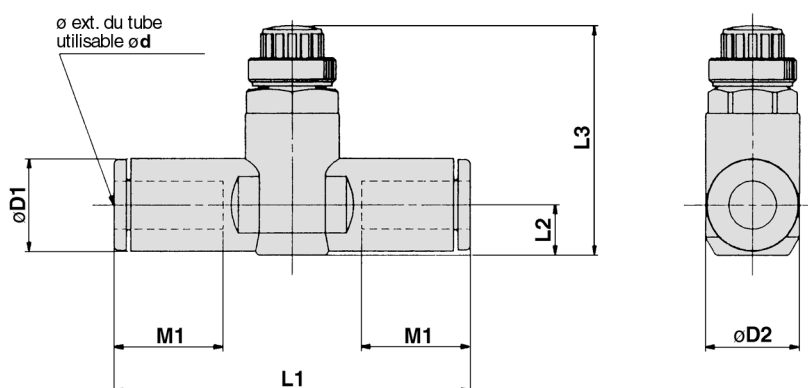


Parts list

No.	Description	Material	Note
1	Body A	PBT	
2	Handle	PBT ^{Note 1)}	Black
3	Body B	Brass	Electroless nickel plated
4	Needle	Brass	Electroless nickel plated
5	Needle guide	Brass	Electroless nickel plated
6	Lock nut	Steel	Zinc chromated
7	U-seal	NBR	
8	Spacer	POM	
9	Cassette	POM, Stainless	
10	Seal	NBR	
11	O-ring	NBR	

Note 1) The AS1001FM type is black zinc chromated brass.

Dimensions



Metric sizes

Model	d	D1	D2	L1	L2	L3		M1	Weight g
						Max.	Min.		
AS1001FM-23	3.2	8.4	10	38	4.5	27.7	24.9	12.7	6
AS1001FM-04	4	9.3		39.2	5.2	28.5	25.5		7
AS1001FM-06	6	11.6		40.7	6.2	29.8	26.6		13.7
AS2001FM-04	4	9.3	11.8	40.7	5.2	32.6	27.6	12.7	12
AS2001FM-06	6	11.6		44.8	6.3	33.7	28.7		13.7
AS2051FM-06	6	12.8	14.8	53.2	6.7	35.2	30.2	17	26
AS2051FM-08	8	15.2		59.8	8.1	36.5	31.5		18

Inch sizes

Model	d	D1	D2	L1	L2	L3		M1	Weight g	
						Max.	Min.			
AS1001FM-01	1/8"	8.4	10	38	4.5	27.7	24.9	12.7	6	
AS1001FM-03	5/32"	9.3		39.2	5.2	28.5	25.5		7	
AS1001FM-05	3/16"	11.4		48.7	6.2	27.7	24.7		16.5	8
AS1001FM-07	1/4"	12	11.8	40.7	5.2	32.6	29.6	12.7	12	
AS2001FM-03	5/32"	9.3		40.7	5.2	32.6	29.6		12.7	12
AS2001FM-05	3/16"	11.4	11.8	50	6.2	33.6	28.6	16.5	18	
AS2001FM-07	1/4"	13.2		52.2	7.1	34.5	29.5		17	21
AS2051FM-05	3/16"	11.4	14.8	52.2	6.2	34.6	29.6	16.5	24	
AS2051FM-07	1/4"	13.2		54.4	7.1	35.5	30.5		17	26
AS2051FM-09	5/16"	15.2		59.8	8.1	36.5	31.5		18	31

Dual Speed Controller for Low Speed Operation

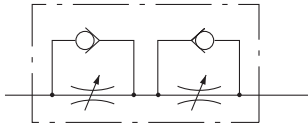
Series ASD-FM



Two flow control valves and check valves integrated.
 Prevention of lurching and speed control for single acting cylinders.
 Stable speed control possible even with fluctuating loads.
 Low speed control for small bore cylinders.



JIS symbol



Flow direction symbols on body

	Meter-out type	Meter-in type
Symbol		
JIS symbol		

Models

Model	Applicable tubing									
	Metric size				Inch size					
	4	6	8	10	1/8"	5/32"	3/16"	1/4"	5/16"	3/8"
ASD230FM-M5	●	●								
ASD330FM-01		●	●							
ASD430FM-02		●	●	●						
ASD230FM-U10/32					●	●	●	●		
ASD330FM-N01							●	●	●	
ASD430FM-N02								●	●	●

Specifications

Proof pressure	1.5MPa
Maximum operating pressure	1MPa
Minimum operating pressure	0.1MPa
Ambient and fluid temperature	0 to 60°C
Number of needle revolutions	10 revolutions (20 revolutions ^{Note 1)})
Applicable tubing materials ^{Note 2)}	Nylon, Soft nylon, Polyurethane, Soft polyurethane

Note 1) For type ASD230FM.

Note 2) Use caution regarding the maximum operating pressure with soft nylon, polyurethane and soft polyurethane.

Note 3) All brass parts are electroless nickel plated. The lock nut on the meter-out size is zinc chromate plated, then, the handle on all types and the lock nut on the meter-in type are black zinc chromate plated.

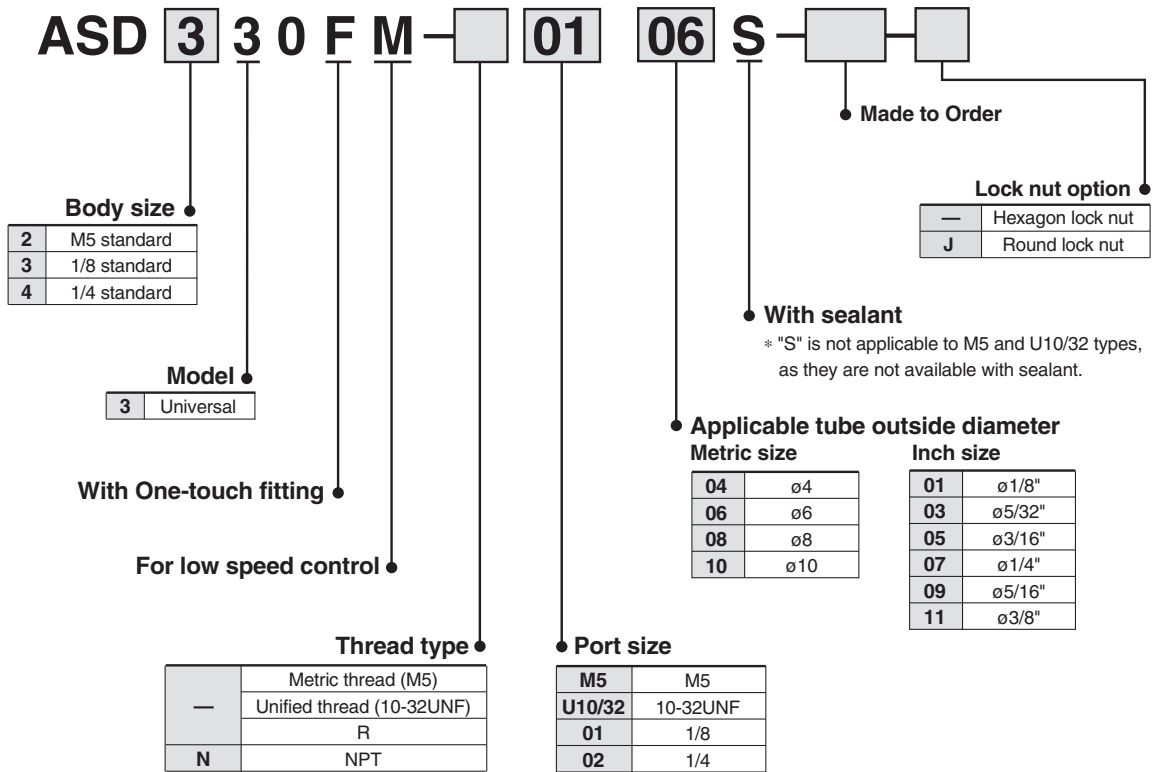
Flow Rate and Effective Area

Model	ASD230FM	ASD330FM	ASD430FM		
Tube O.D.	Metric size	ø4, ø6	ø6, ø8	ø6	ø8, ø10
	Inch size	ø1/8", ø5/32" ø3/16", ø1/4"	ø3/16", ø1/4"	-	ø1/4", ø5/16" ø3/8"
Controlled flow	Flow rate ℓ/min (ANR)	7	12	38	
	Effective area mm ²	0.1	0.2	0.6	
Free flow	Flow rate ℓ/min (ANR)	75	175	295	350
	Effective area mm ²	1.1	2.7	4.5	5.3

Note) The flow rate value is at a pressure of 0.5MPa and temperature of 20°C.

Series ASD-FM

How to Order



Made to Order

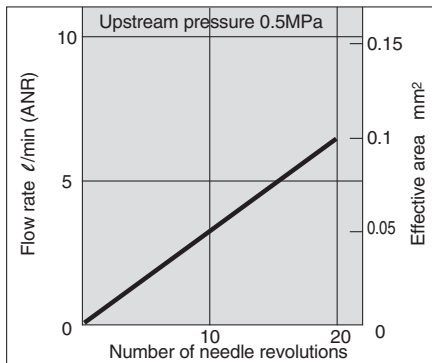
1 Lubricant: Vaseline

X12

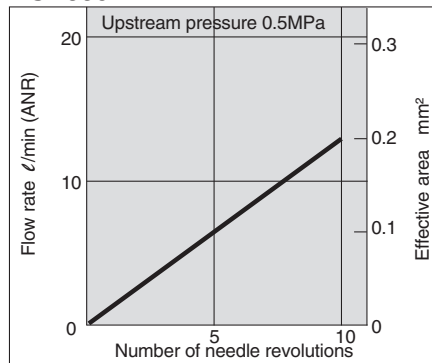
Ex.) ASD230FM-M5-X12

Needle Valve/Flow Rate Characteristics

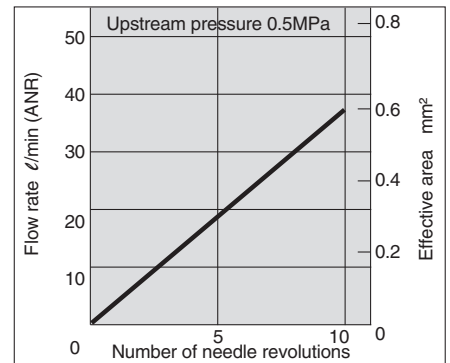
ASD230FM



ASD330FM

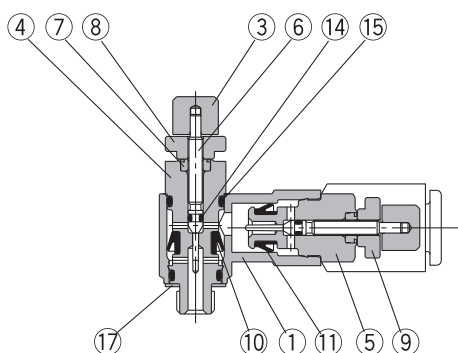


ASD430FM

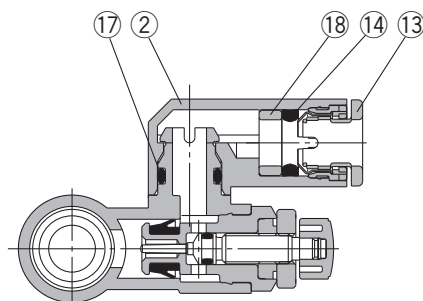
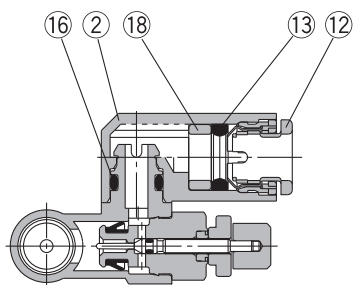
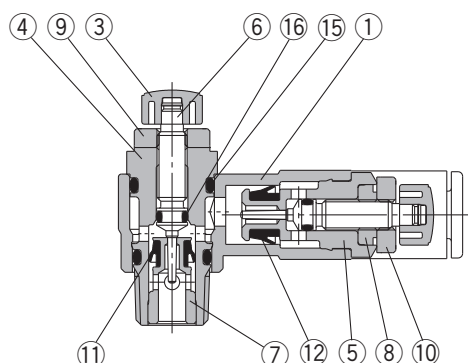


Construction

ASD230FM



ASD330FM, 430FM



Parts list

No.	Description	Material	Note
1	Body A	PBT	
2	Elbow body	PBT	
3	Handle	PBT (Note 1)	Black
4	Body B	Brass	Electroless nickel plated
5	Body B	Brass	Electroless nickel plated
6	Needle	Brass	Electroless nickel plated
7	Seat ring	Brass	Electroless nickel plated
8	Needle guide	Brass	Electroless nickel plated
9	Lock nut	Steel	Zinc chromated
10	Lock nut	Steel	Black zinc chromated

Parts list

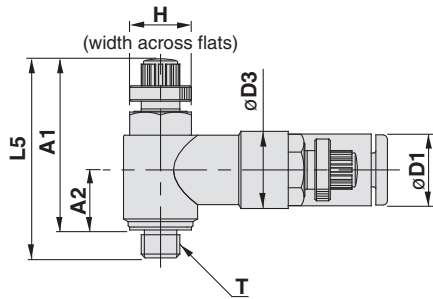
No.	Description	Material	Note
11	U seal	HNBR	
12	U seal	HNBR	
13	Cassette	—	
14	Seal	NBR	
15	O-ring	NBR	
16	O-ring	NBR	
17	O-ring	NBR	
18	Spacer	—	
19	Gasket	NBR, Stainless steel	M5 type only

Note 1) AS1001FM type is made of brass (black zinc chromate plated).

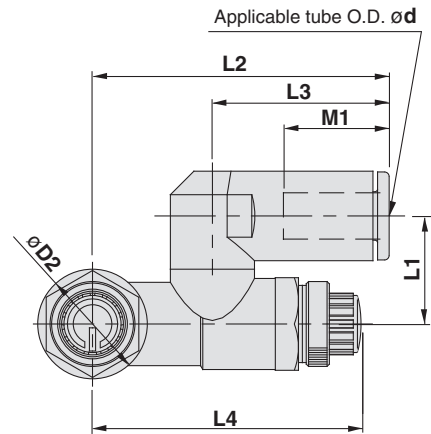
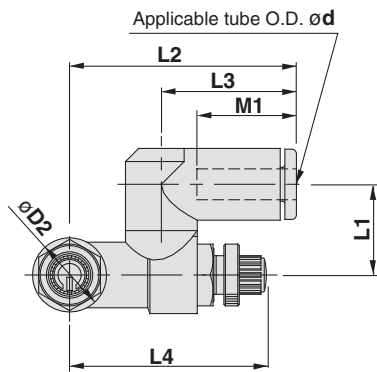
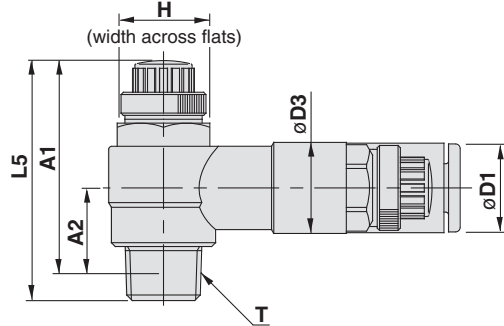
Series ASD-FM

Dimensions/Metric Sizes

ASD230FM



ASD330FM, 430FM



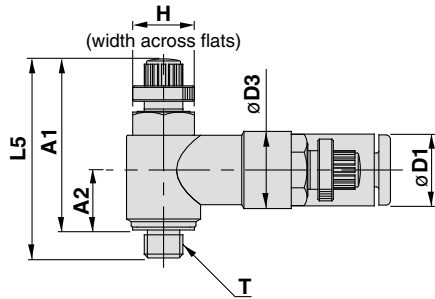
Metric sizes

Model	d	T	H	D1	D2	D3	L1	L2	L3	L4		L5		A1 *		A2 *	M1	Weight g	
										Max.	Min.	Max.	Min.	Max.	Min.				
ASD230FM-M5-04	4	M5	8	9.3	9.6	10	11.7	29.4	17.5	34.6	29.6	33.8	28.8	30.1	25.1	7.8	12.9	12	
ASD230FM-M5-06	6			11.6													20.6	13.7	13
ASD330FM-01-06S	6	R1/8	12	11.6	14.2	11.8	14	38.5	22.9	39.6	34.6	35.2	30.2	32.1	27.1	10.6	13.7	29	
ASD330FM-01-08S	8			15.2													38.9	33.9	18.5
ASD430FM-02-06S	6	R1/4	17	12.8	18.5	15	18	43.5	25.2	41.8	36.8	39.9	34.9	34.4	29.4	11	17	53	
ASD430FM-02-08S	8			15.2													28.2	18.5	55
ASD430FM-02-10S	10			18.5													31	21	58

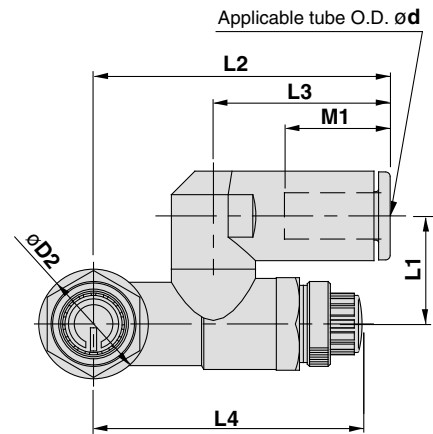
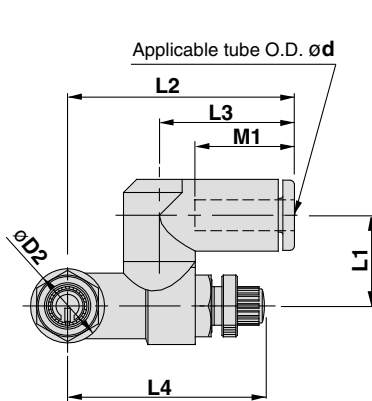
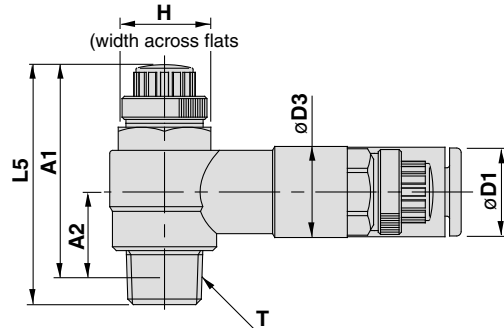
* Reference dimensions for M5 and R threads after installation

Dimensions/Inch Sizes

ASD230FM



ASD330FM, 430FM



Inch sizes

Model	d	T	H	D1	D2	D3	L1	L2	L3	L4		L5		A1 *		A2 *	M1	Weight g
										Max.	Min.	Max.	Min.	Max.	Min.			
ASD230FM-U10/32-01	1/8"	10-32 UNF	8	8.4	9.6	10	11.7	29.4	17.5	34.6	29.6	33.8	28.8	30.1	25.1	7.8	12.9	12
ASD230FM-U10/32-03	5/32"			9.3														13
ASD230FM-U10/32-05	3/16"			11.4														14
ASD230FM-U10/32-07	1/4"			12														15
ASD330FM-N01-05S	3/16"	NPT1/8	12.7	11.4	14.2	11.8	14	39.5	23.9	39.6	34.6	35.2	30.2	32	27	10.6	16.5	30
ASD330FM-N01-07S	1/4"			13.2			15.8	42.2	25.6	38.9	33.9						17	31
ASD330FM-N01-09S	5/16"			15.2			44.8	28.2	18.5									
ASD430FM-N02-07S	1/4"	NPT1/4	17.5	13.2	18.5	15	18	43.9	25.6	41.7	36.7	39.9	34.9	34.6	29.6	11	17	55
ASD430FM-N02-09S	5/16"			15.2			46.5	28.2	18.5									
ASD430FM-N02-11S	3/8"			18.5			49.3	32.6	21								62	

* Reference dimensions for 10-32UNF and NPT threads after installation

Speed Controller with Pilot Check Valve

Series ASP

RoHS

360° freedom for tube
mounting direction
Standard electroless nickel
plating specification



Model

Part No.	Port size	Pilot port	Applicable tube outside diameter										
			Millimeter size				Inch size						
			ø6	ø8	ø10	ø12	ø1/4"	ø5/16"	ø3/8"	ø1/2"			
ASP330F-01	R(PT)1/8	M5	●	●									
ASP430F-02	R(PT)1/4	Rc(PT)1/8	●	●									
ASP530F-03	R(PT)3/8	Rc(PT)1/8		●	●								
ASP630F-04	R(PT)1/2	Rc(PT)1/4			●	●							
ASP430F-F02	R(PT)1/4	G(PF)1/8	●	●									
ASP530F-F03	R(PT)3/8	G(PF)1/8		●	●								
ASP630F-F04	R(PT)1/2	G(PF)1/4			●	●							
ASP330F-N01	NPT1/8	10-32UNF						●	●				
ASP430F-N02	NPT1/4	NPT1/8						●	●				
ASP530F-N03	NPT3/8	NPT1/8							●	●			
ASP630F-N04	NPT1/2	NPT1/4								●	●		

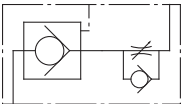
Note) All brass parts are electroless nickel plated.

Specifications

Proof pressure	1.5MPa{15.3kgf/cm ² }
Maximum operating pressure	1MPa{10.2kgf/cm ² }
Minimum operating pressure	0.1MPa{1kgf/cm ² }
Pilot check valve actuation pressure	50% or more of operating pressure
Ambient & fluid temperature	-5 to 60°C (Without freezing)
Number of needle revolutions	10 revolutions
Applicable tube material	Nylon, Soft nylon, Polyurethane

Note) Use caution with soft nylon or polyurethane at maximum operating pressures.

JIS Symbol



Flow Rate and Effective Sectional Area

Model		ASP330F	ASP430F		ASP530F		ASP630F	
Tube outside diameter	Millimeter size	ø6, ø8	ø6	ø8	ø8	ø10	ø10	ø12
	Inch size	ø1/4" ø5/16"	—	ø1/4" ø5/16"	ø5/16"	ø3/8"	—	ø3/8" ø1/2"
Controlled flow (Free flow)	Flow rate ℓ/min (ANR){N ℓ/min}	180	330	350	600	750	1100	1190
	Effective sectional area mm ²	2.9	5.2	5.4	9.3	11.6	17	18.4

Note) The indicated flow rate values are at a pressure of 0.5MPa and a temperature of 20°C.

Speed Controller with pilot Check Valve *Series ASP*

How to Order

ASP 3 30 F-01-06 S — **Made to Order**

• Pilot check valve
 • With seals
 • Applicable tube outside diameter
 • Port size
 • With One-touch fittings

Body size

3	1/8 standard
4	1/4 standard
5	3/8 standard
6	1/2 standard

Type

3	Universal
---	-----------

Lock nut option

—	Hexagon lock nut
J	Round lock nut

Applicable tube outside diameter

Millimeter size	Inch size
06	ø6
08	ø8
10	ø10
12	ø12
07	ø1/4"
09	ø5/16"
11	ø3/8"
13	ø1/2"

Port size

Symbol	Cylinder side	Pilot port
01	R(PT)1/8	M5
02	R(PT)1/4	Rc(PT)1/8
03	R(PT)3/8	Rc(PT)1/8
04	R(PT)1/2	Rc(PT)1/4
F02	R(PT)1/4	G(PF)1/8
F03	R(PT)3/8	G(PF)1/8
F04	R(PT)1/2	G(PF)1/4
N01	NPT1/8	10-32UNF
N02	NPT1/4	NPT1/8
N03	NPT3/8	NPT1/8
N04	NPT1/2	NPT1/4

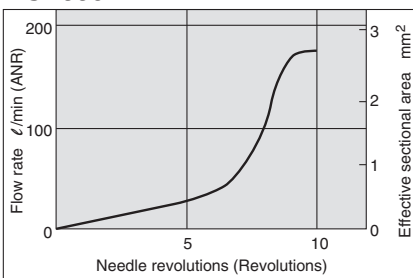
Made to Order

1 Lubricant: Vaseline

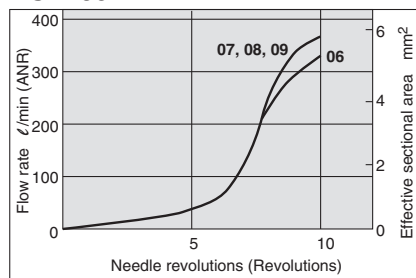
X12

Needle Valve/Flow Rate Characteristics

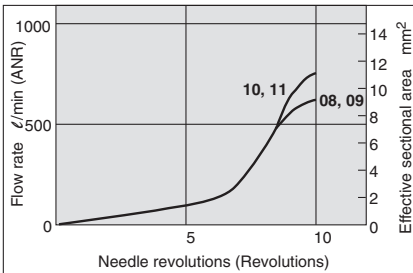
ASP330F



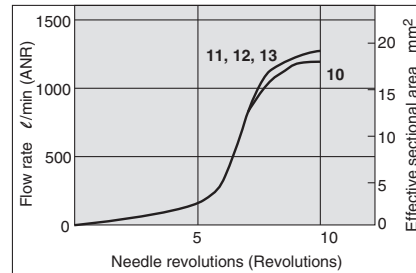
ASP430F



ASP530F



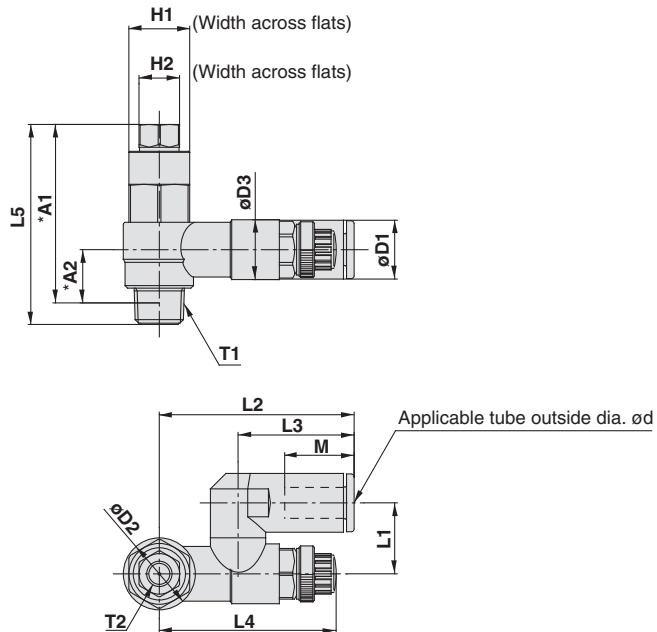
ASP630F



Series ASP

Dimensions

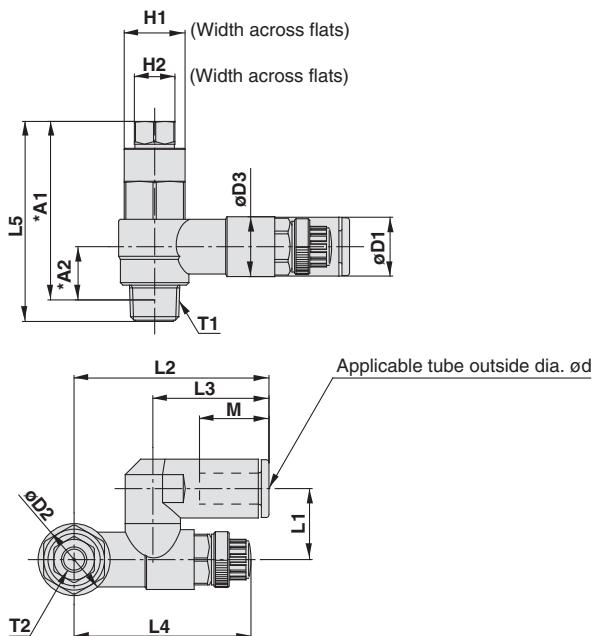
Millimeter size



Model	d	T1	T2	H1	H2	D1	D2	D3	L1	L2	L3	L4		L5	*A1	*A2	M	Weight g
												MAX.	MIN.					
ASP330F-01-06S	6	1/8	M5	12	8	11.6	14.2	11.8	14	38.4	22.9	39.6	34.6	39.5	35.2	10.5	13.7	32
ASP330F-01-08S	8					15.2						38.9	33.9					
ASP430F-02-06S	6	1/4	Rc(PT)1/8	17	12	12.8	18.5	15	18	43.4	25.2	41.7	36.7	48.7	42.4	10.9	16.8	65
ASP430F-02-08S	8					15.2						41.7	36.7					
ASP530F-03-08S	8	3/8	Rc(PT)1/8	19	12	15.2	23	19.8	20.3	51.3	28.2	46.9	41.9	56.2	50	14.4	18.7	107
ASP530F-03-10S	10					18.5						46.9	41.9					
ASP630F-04-10S	10	1/2	Rc(PT)1/4	24	17	18.5	28.6	26.5	25.9	64.2	32.6	64.8	57.3	70.3	61.8	18.3	20.8	212
ASP630F-04-12S	12					20.9						64.8	57.3					

* Reference dimensions for R(PT) threads after installation.

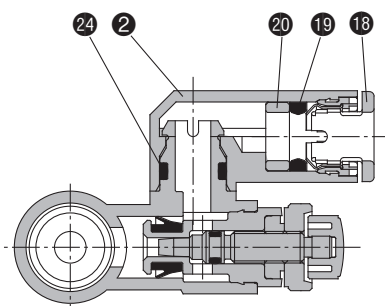
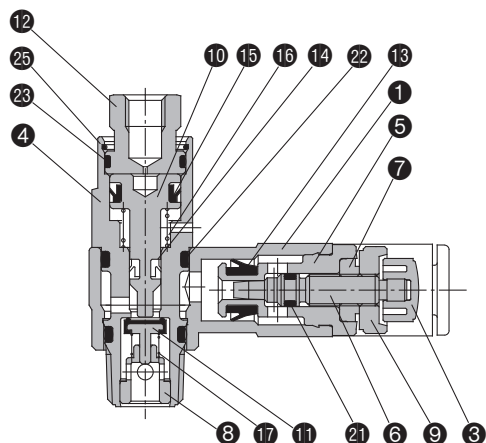
Inch size



Model	d	T1	T2	H1	H2	D1	D2	D3	L1	L2	L3	L4		L5	*A1	*A2	M	Weight g
												MAX.	MIN.					
ASP330F-N01-07S	1/4"	NPT1/8	10-32UNF	1/2"	8	13.2	14.2	11.8	15.8	42.2	25.6	38.9	33.9	39.5	35.1	10.5	17	35
ASP330F-N01-09S	5/16"					15.2						38.9	33.9					
ASP430F-N02-07S	1/4"	NPT1/4	NPT1/8	11/16"	1/2"	13.2	18.5	15	18	43.9	25.6	41.7	36.7	48.7	42.6	10.9	17	68
ASP430F-N02-09S	5/16"					15.2						41.7	36.7					
ASP530F-N03-09S	5/16"	NPT3/8	NPT1/8	19	1/2"	15.2	23	19.8	20.3	51.3	28.2	46.9	41.9	56.2	50.3	14.4	18.7	107
ASP530F-N03-11S	3/8"					18.5						46.9	41.9					
ASP630F-N04-11S	3/8"	NPT1/2	NPT1/4	15/16"	11/16"	18.5	28.6	26.5	25.9	64.2	32.6	64.8	57.3	70.3	61.8	18.3	20.8	220
ASP630F-N04-13S	1/2"					21.7						64.8	57.3					

* Reference dimensions for NPT threads after installation.

Construction



Parts list

No.	Description	Material	Note
①	Body A	PBT	
②	Elbow body	PBT	
③	Knob	PBT	
④	Pilot body	Brass	Electroless nickel plated
⑤	Body B	Brass	Electroless nickel plated
⑥	Needle	Brass	Electroless nickel plated
⑦	Needle guide	Brass	Electroless nickel plated
⑧	Guide	Brass	Electroless nickel plated
⑨	Lock nut	Steel	Zinc chromated
⑩	Piston	Brass	Electroless nickel plated
⑪	Valve	Stainless steel, NBR	
⑫	Cover	Brass	Electroless nickel plated
⑬	U seal	HNBR	

Parts list

No.	Description	Material	Note
⑭	DY seal	NBR	
⑮	DY seal	NBR	
⑯	Spring	Stainless steel	
⑰	Spring	Stainless steel	
⑱	Cassette	—	
⑲	Seal	NBR	
⑳	Spacer	—	
㉑	O-ring	NBR	
㉒	O-ring	NBR	
㉓	O-ring	NBR	
㉔	O-ring	NBR	
㉕	Ring	Stainless steel	

