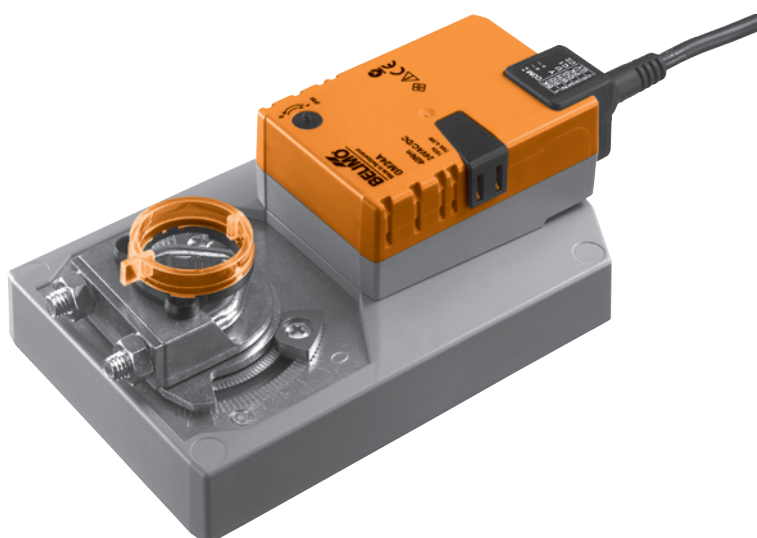


Damper actuator for operating air control dampers in ventilation and air-conditioning systems for building services installations

- For air control dampers up to approx. 8 m²
- Torque 40 Nm
- Nominal voltage AC/DC 24 V
- Control: Open-close (not made for 3-point applications)



Technical data

Electrical data	Nominal voltage	AC 24 V, 50/60 Hz DC 24 V
	Nominal voltage range	AC/DC 19.2 ... 28.8 V
	Power consumption	In operation 4 W @ nominal torque At rest 2 W For wire sizing 6 VA
	Connection	Cable 1 m, 3 x 0.75 mm ²
Functional data	Torque (nominal torque)	Min. 40 Nm @ nominal voltage
	Direction of rotation	Reversible with switch 0 ↺ or 1 ↻
	Manual override	Gearing latch disengaged with pushbutton, detentable
	Angle of rotation	Max. 95°↔, limited on both sides by means of adjustable, mechanical end stops
	Running time	150 s / 90°↔
	Sound power level	Max. 45 dB (A)
Safety	Position indication	Mechanical, pluggable
	Protection class	III Safety extra-low voltage
	Degree of protection	IP54 in any mounting position
	EMC	CE according to 89/336/EEC
	Mode of operation	Type 1 (EN 60730-1)
	Rated impulse voltage	0.8 kV (EN 60730-1)
	Control pollution degree	3 (EN 60730-1)
	Ambient temperature range	-30 ... +50 °C
	Non-operating temperature	-40 ... +80 °C
	Ambient humidity range	95% r.H., non-condensating (EN 60730-1)
	Maintenance	Maintenance-free
Dimensions / Weight	Dimensions	See «Dimensions» on page 2
	Weight	Approx. 1'700 g

Safety notes



- The damper actuator is not allowed to be used outside the specified field of application, especially in aircraft or any other form of air transport.
- Assembly must be carried out by trained personnel. Any legal regulations or regulations issued by authorities must be observed during assembly.
- The device may only be opened at the manufacturer's site. It does not contain any parts that can be replaced or repaired by the user.
- The cable must not be removed from the device.
- When calculating the required torque, the specifications supplied by the damper manufacturers (cross section, design, installation site), and the air flow conditions must be observed.
- The device contains electrical and electronic components and is not allowed to be disposed of as household refuse. All locally valid regulations and requirements must be observed.

Product features

- Simple direct mounting** Simple direct mounting on the damper spindle with a universal spindle clamp, supplied with an anti-rotation strap to prevent the actuator from rotating.
- Manual override** Manual operation is possible with the pushbutton (the gearing latch remains disengaged as long as the pushbutton is pressed or detented).
- Adjustable angle of rotation** Adjustable angle of rotation with mechanical end stops.
- High functional reliability** The actuator is overload-proof, requires no limit switches and automatically stops when the end stop is reached.

Accessories

	Description	Data sheet
Electrical accessories	Auxiliary switch, type S..A..	T2 - S..A..
	Feedback potentiometer, type P..A..	T2 - P..A..
Mechanical accessories	Various accessories (Damper and actuator crank arms, anti-rotation strap etc.)	T2 - Z-GM..A..

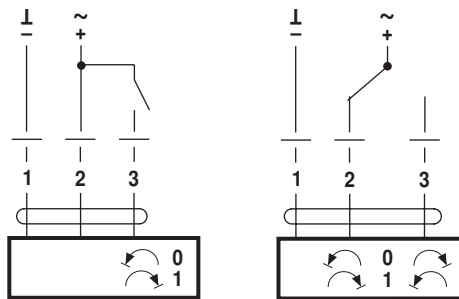
Electrical installation

Wiring diagrams

Notes

- Connection via safety isolating transformer.
- Other actuators can be connected in parallel. Please note the performance data.

Direction of rotation



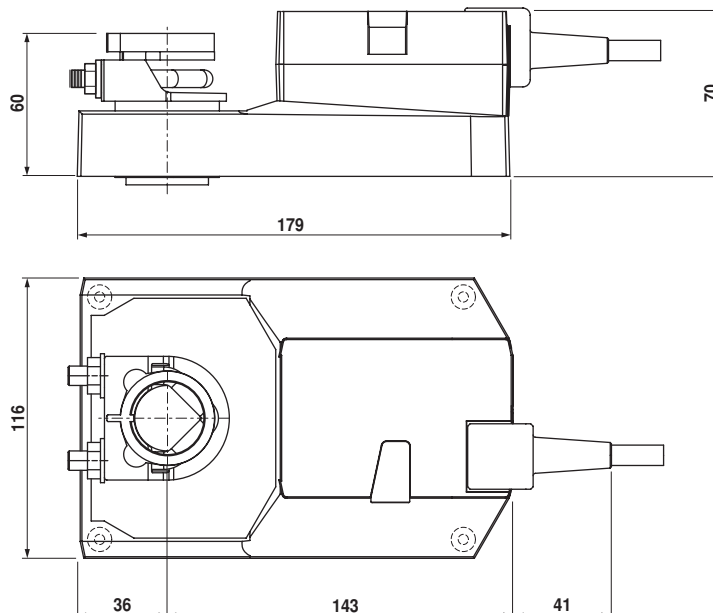
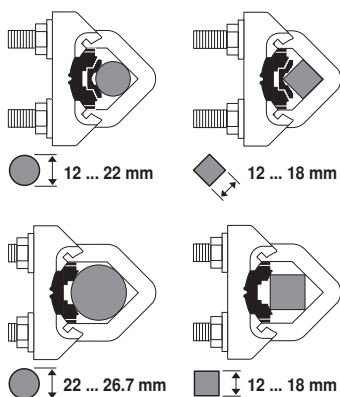
Cable colours:

- 1 = black
- 2 = red
- 3 = white

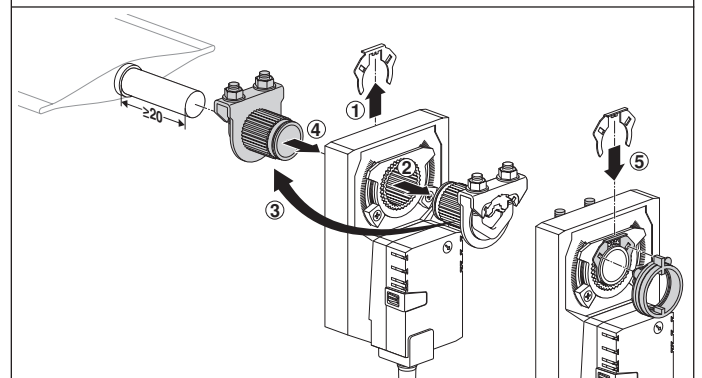
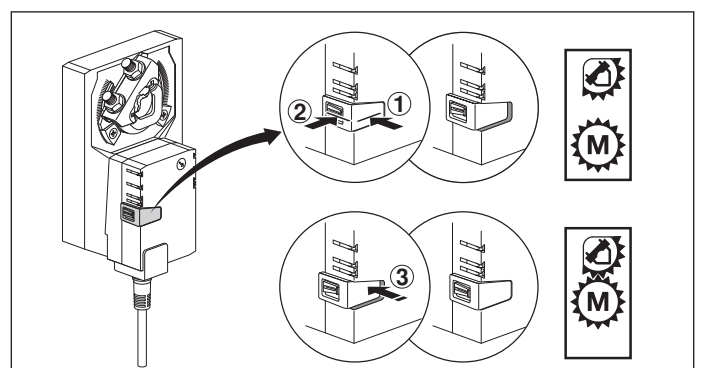
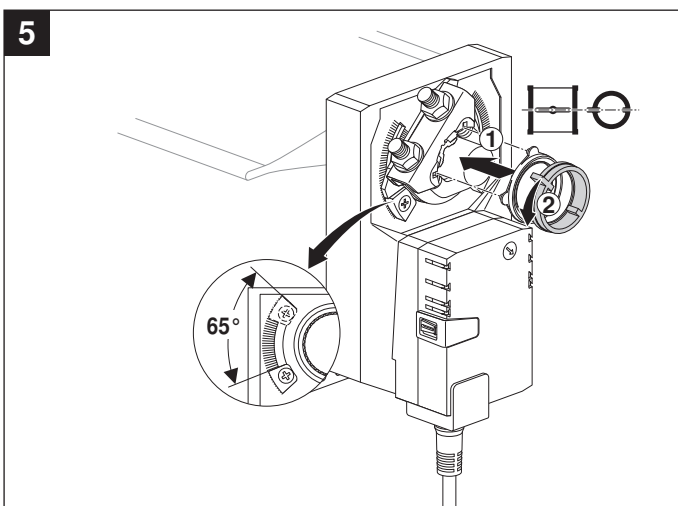
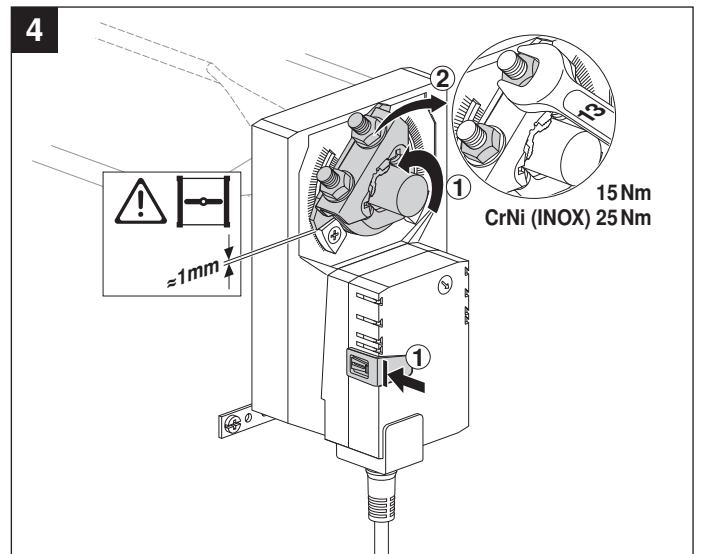
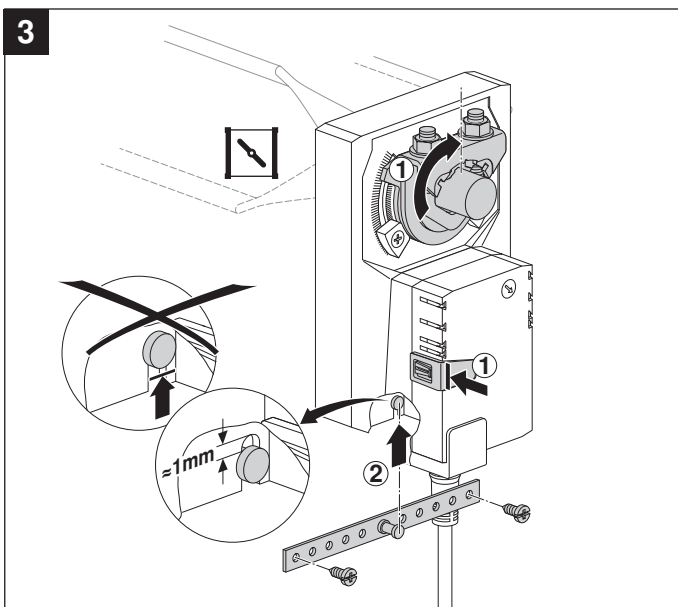
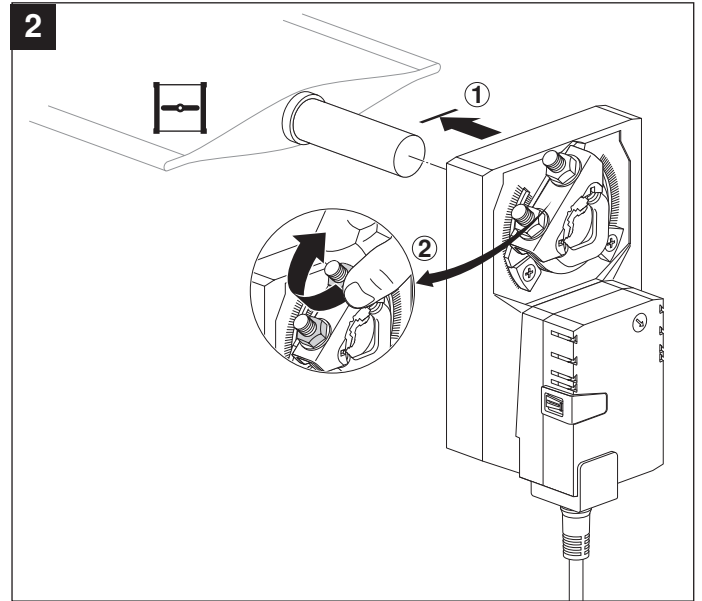
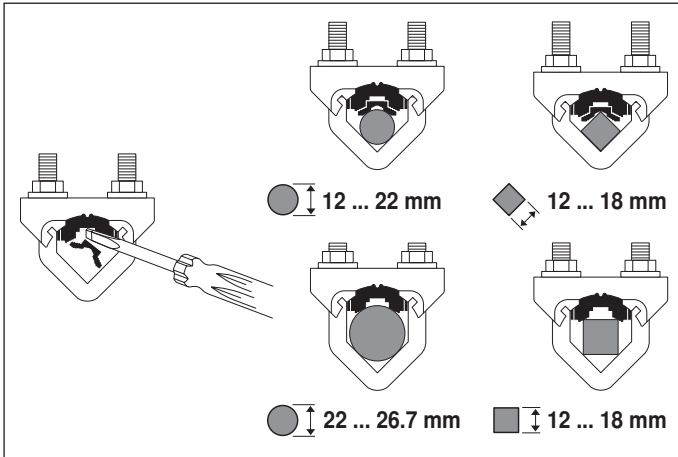
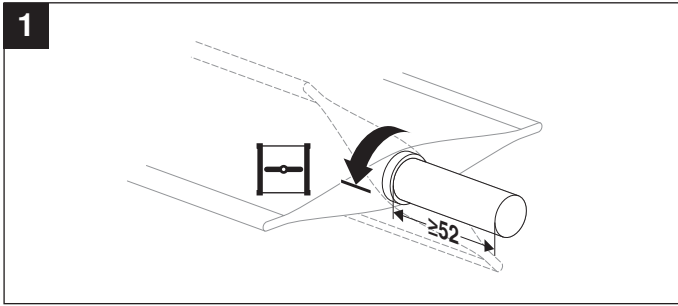
Dimensions [mm]

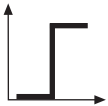
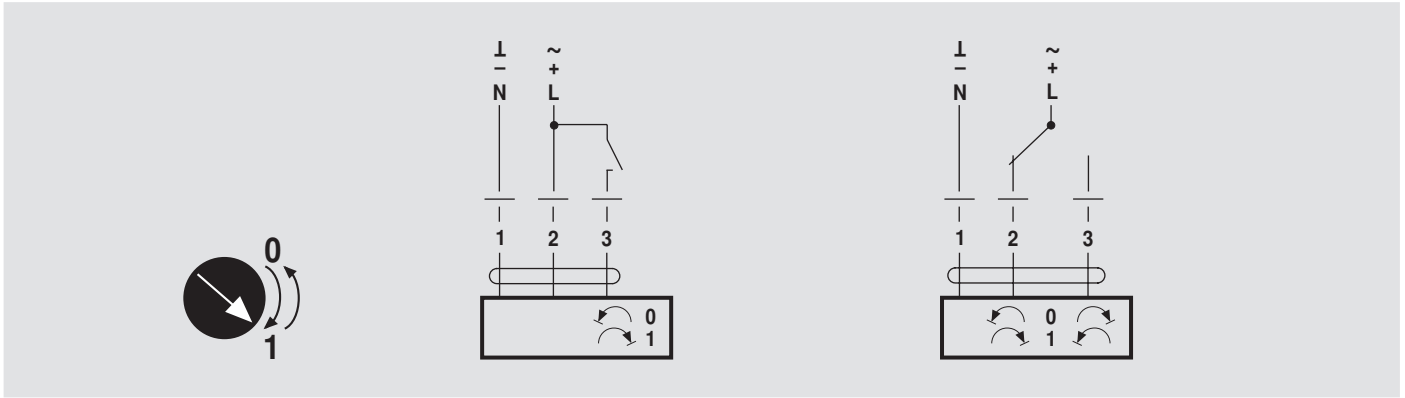
Dimensional drawings

Damper spindle	Length			
	>52	12 ... 26.7	>12	<25.2
	>20	12 ... 26.7	>12	<25.2

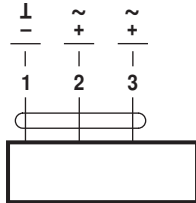


70214-00007.H



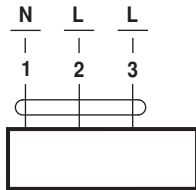


AC 24 V / DC 24 V

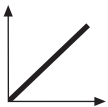


GM24A..

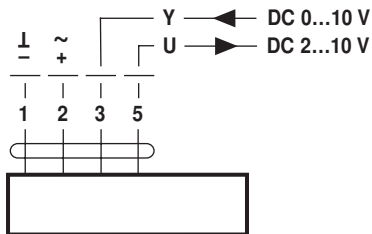
AC 100 ... 240 V



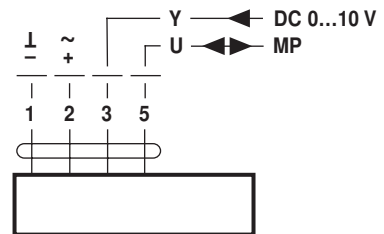
GM230A..



AC 24 V / DC 24 V



GM24A-SR..
GM24A-MF..



GM24A-MP..