

TYPE 2	AVAILABLE	—H—	1.8V (DDR2)	17.55	2.4	2.7	200	1717254-4
TYPE 1	AVAILABLE	—H—	2.5V (DDR1)	18.45	1.5	1.8	200	1717254-1
TAB TYPE	TOOLING STATUS	REMARK	POWER SUPPLY (TYPE)	D5	D4	D3	POS	PART NO.

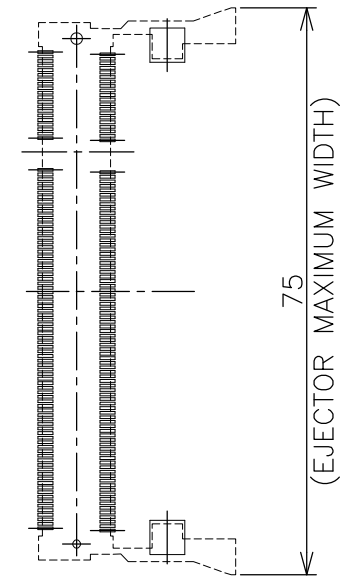
  

THIS DRAWING IS A CONTROLLED DOCUMENT.		DWN	16JUL10	 TE Connectivity
		CHK	16JUL10	
		APVD	16JUL10	
		NAME	S.YAO	
DIMENSIONS: MM		TOLERANCES UNLESS OTHERWISE SPECIFIED:		PRODUCT SPEC
0 PLC ±		1 PLC ±		108-5701
2 PLC ±		3 PLC ±		APPLICATION SPEC
4 PLC ±		ANGLES ±		SIZE
FINISH				CAGE CODE
MATERIAL		WEIGHT		DRAWING NO
		4.7g		RESTRICTED TO
		CUSTOMER DRAWING		SCALE
				2:1
				SHEET
				1 OF 4
				REV
				D2

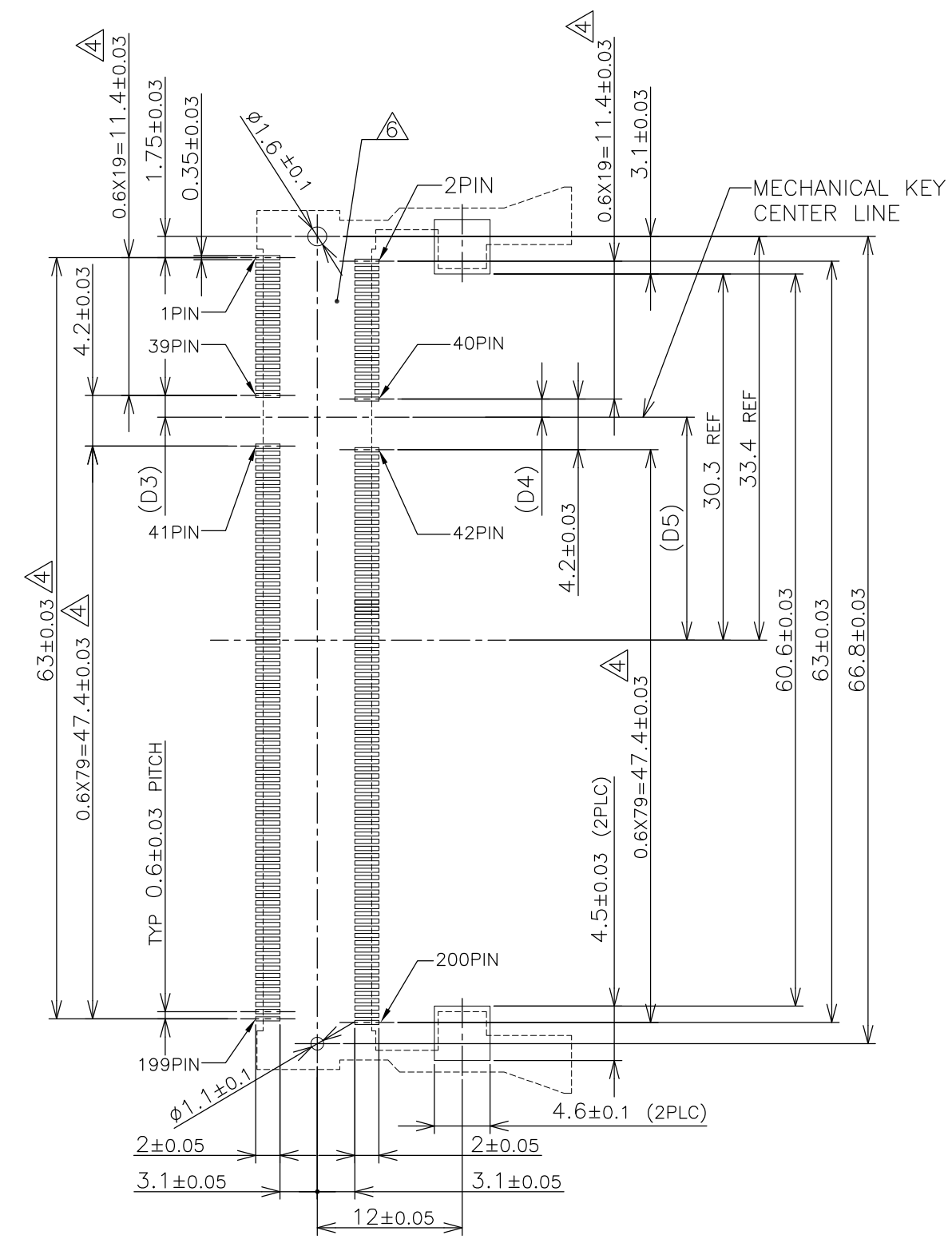
THIS DRAWING IS UNPUBLISHED. RELEASED FOR PUBLICATION NOV ,2001.  
 © COPYRIGHT 2001 By - ALL RIGHTS RESERVED.

LOC	DIST	REVISIONS			
P	LTR	DESCRIPTION	DATE	DWN	APVD
J		SEE SHEET 1	-	-	-

# REFERENCE P.C. BOARD PATTERN LAYOUT (CONNECTOR MOUNTING SIDE)



REAL SIZE (SCALE 1:1)



1.8V	17.55	2.4	2.7
2.5V	18.45	1.5	1.8
POWER SUPPLY	D5	D4	D3

THIS DRAWING IS A CONTROLLED DOCUMENT.		DWN		<b>STE</b> TE Connectivity	
DIMENSIONS: MM		CHK			
TOLERANCES UNLESS OTHERWISE SPECIFIED:		APVD		NAME	
0 PLC ±		PRODUCT SPEC		DDR1 & DDR2 SODIMM SOCKET	
1 PLC ±		APPLICATION SPEC		0.6mm PITCH 200POS	
2 PLC ±		WEIGHT		STANDARD PROFILE STANDARD TYPE	
3 PLC ±		SIZE		A3	
4 PLC ±		CAGE CODE		00779	
ANGLES ±		DRAWING NO		C-1717254	
FINISH		RESTRICTED TO		-	
MATERIAL		CUSTOMER DRAWING		SCALE 2:1	
		SHEET 2 OF 4		REV D2	

4

3

2

1

THIS DRAWING IS UNPUBLISHED.

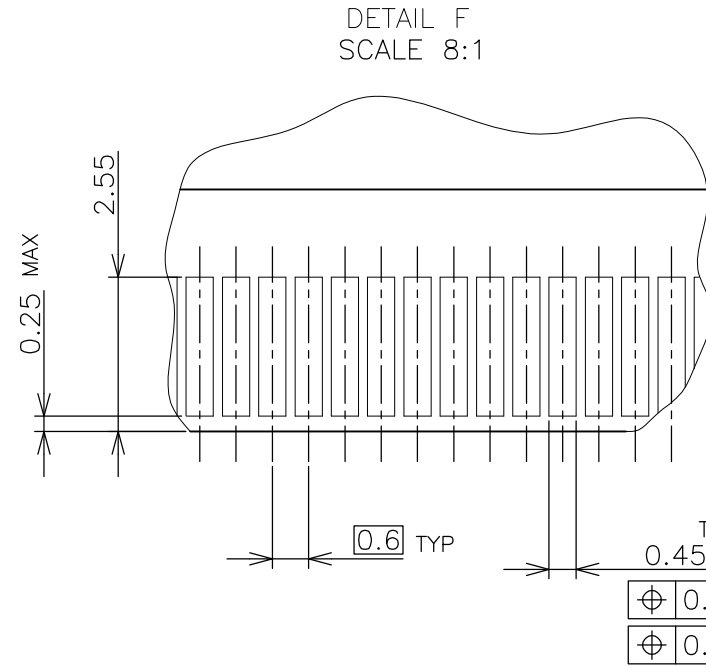
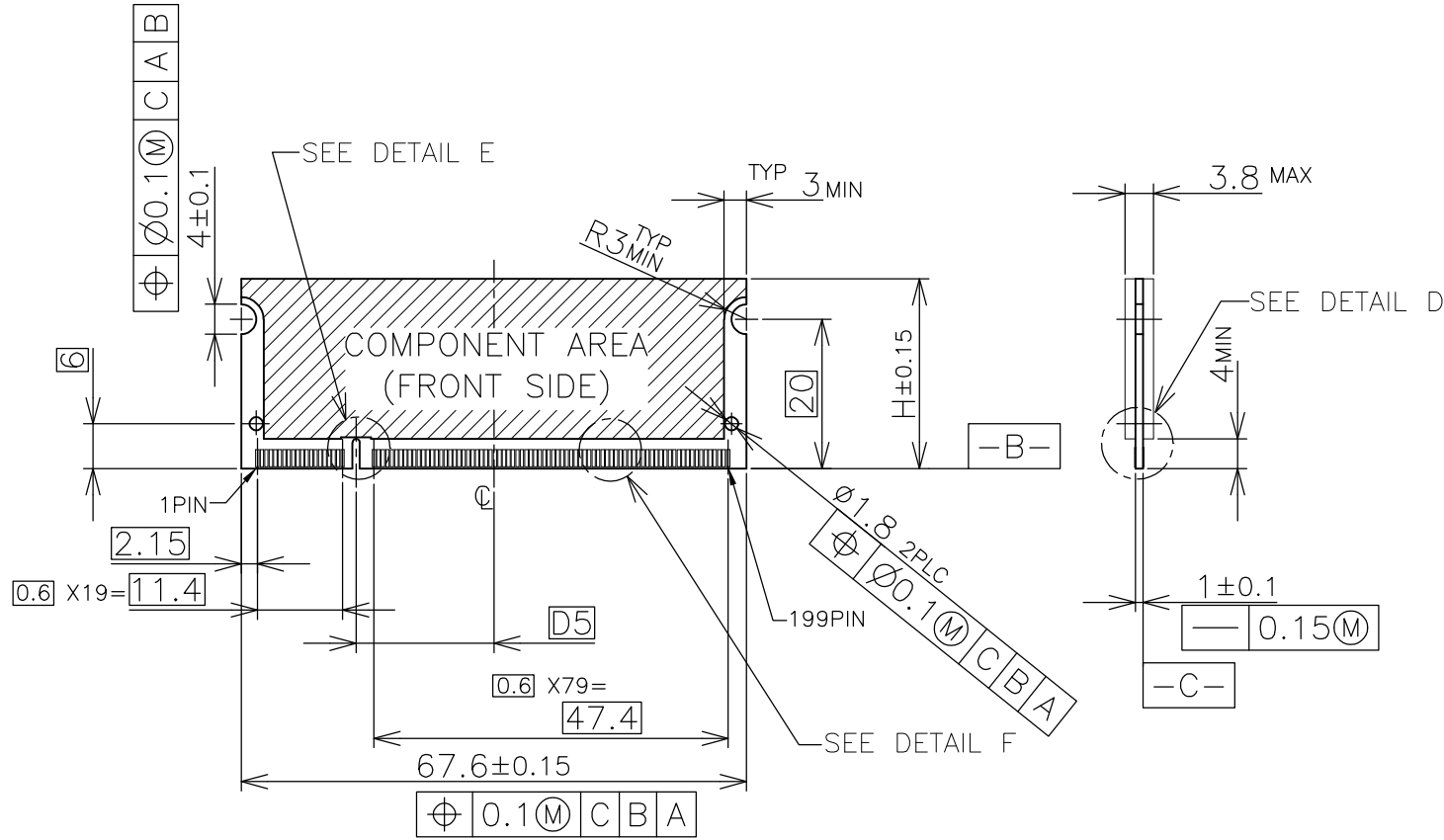
RELEASED FOR PUBLICATION NOV ,2001.

ALL RIGHTS RESERVED.

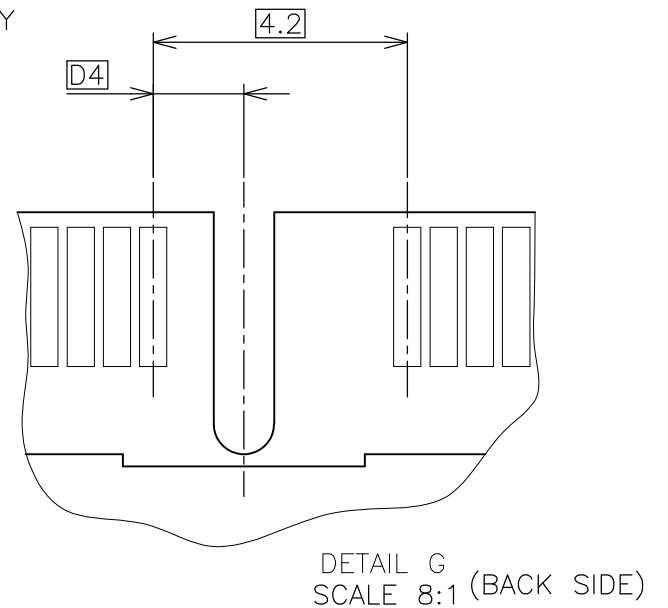
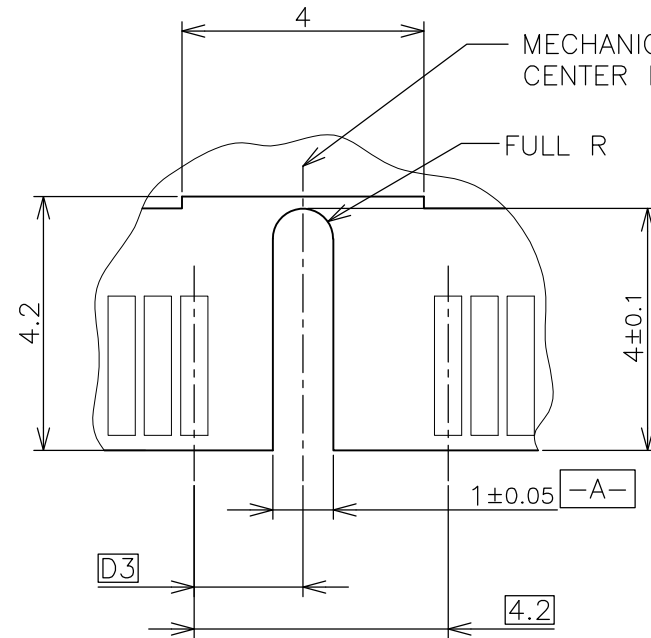
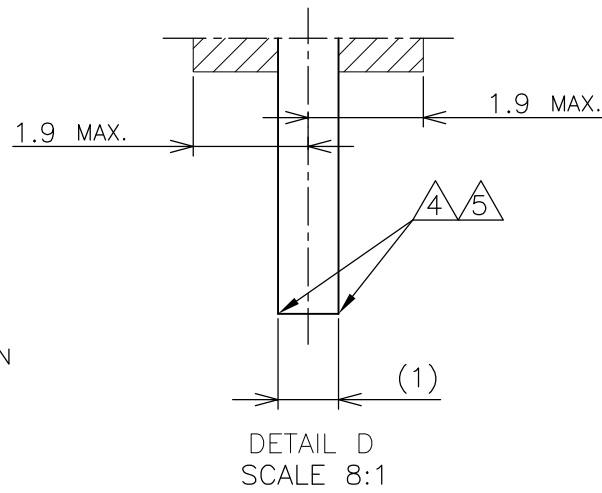
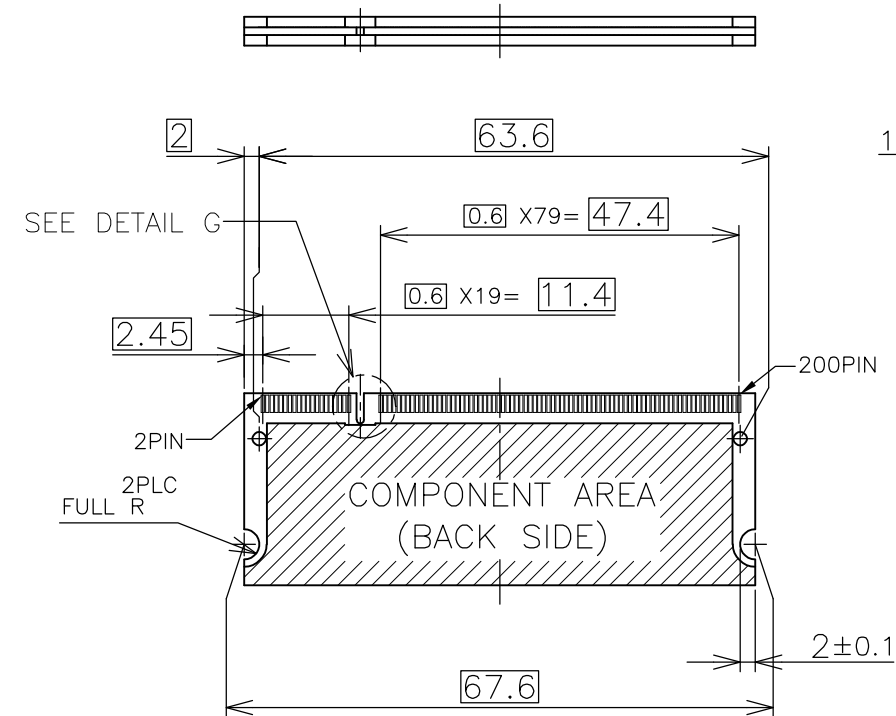
LOC	DIST
J	

REVISIONS

P	LTR	DESCRIPTION	DATE	DWN	APVD
-	-	SEE SHEET 1	-	-	-



- (APPLIED TO SHEET 3)
1. TOLERANCES ON ALL DIMENSIONS  $\pm 0.15$  UNLESS OTHERWISE SPECIFIED.
  2. P.C. BOARD THICKNESS APPLIES ACROSS TABS AND INCLUDES PLATING AND/OR METALIZATION.
  3. FINISH OF PAD : GOLD PLATING 0.00076 MIN. OVER Ni PLATING 0.002MIN.
- $\triangle$  NO BURR
  - $\triangle$  CHAMFER 0.25 MAX x 45° IF EXIST.



DETAIL E SCALE 8:1 (FRONT SIDE)

DETAIL G SCALE 8:1 (BACK SIDE)

31.75	1.8V	17.55	2.4	2.7
25.4	2.5V	18.45	1.5	1.8
H	POWER SUPPLY	D5	D4	D3

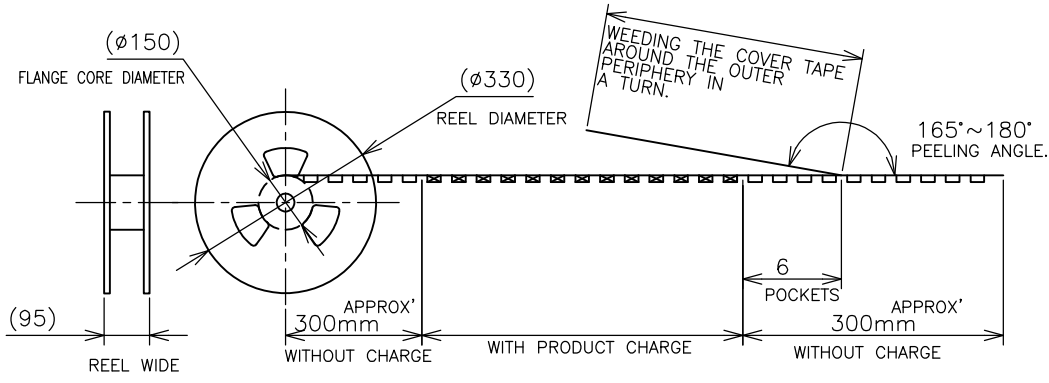
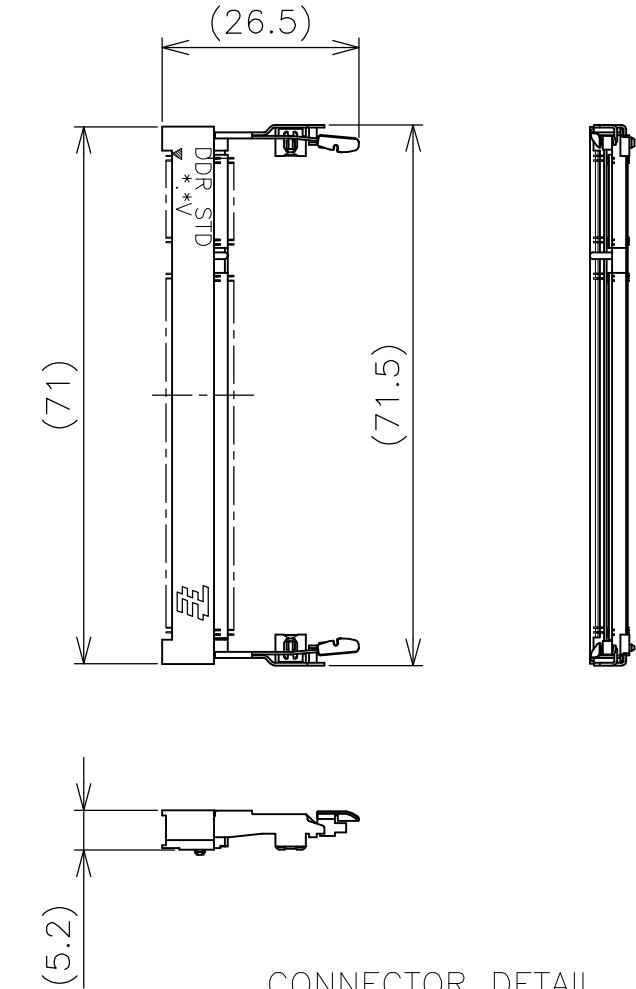
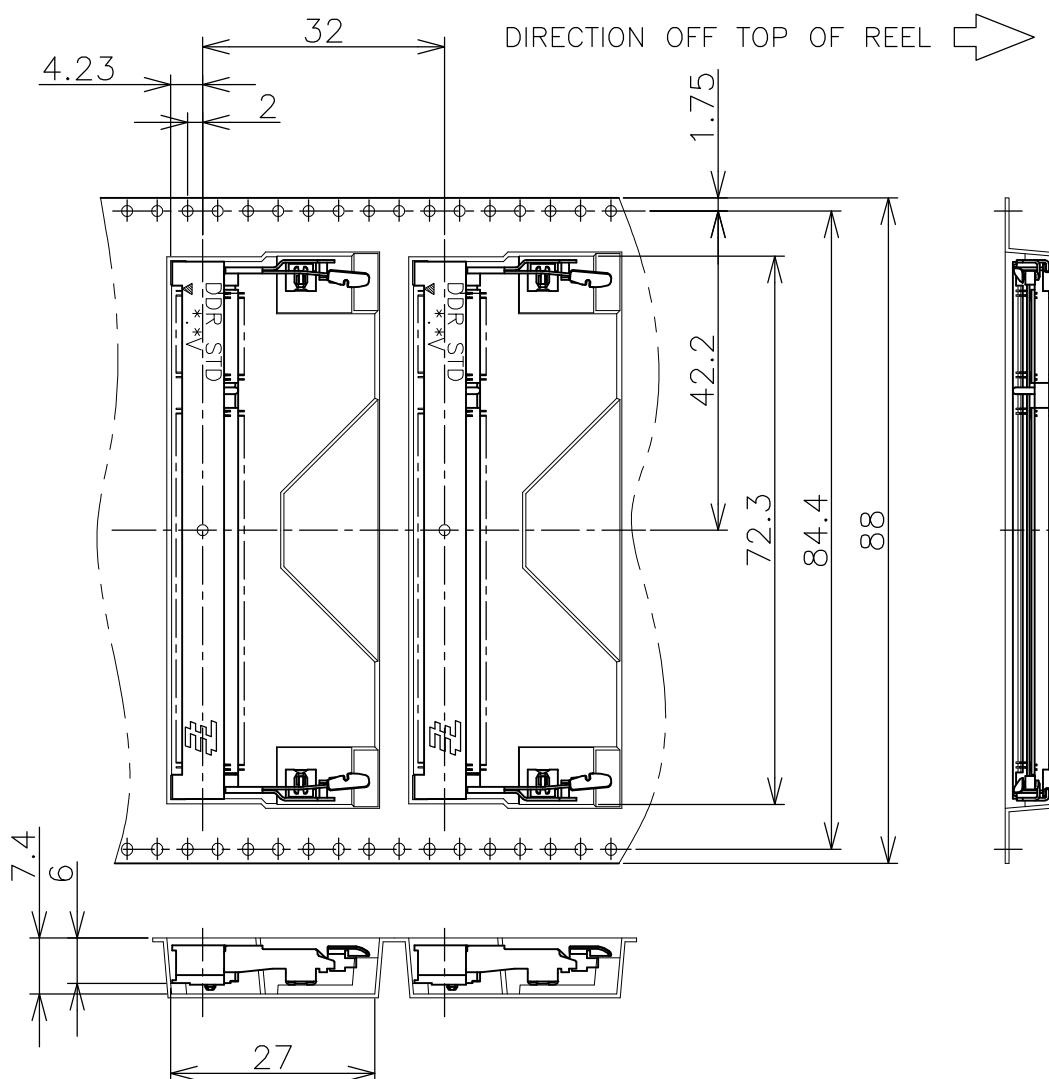
RECOMMENDED MATING P.C.B CONFIGURATION

THIS DRAWING IS A CONTROLLED DOCUMENT.		DWN	
DIMENSIONS: MM		CHK	
TOLERANCES UNLESS OTHERWISE SPECIFIED:		APVD	
0 PLC	±	PRODUCT SPEC	
1 PLC	±	APPLICATION SPEC	
2 PLC	±	WEIGHT	
3 PLC	±	CUSTOMER DRAWING	
4 PLC	±		
ANGLES	±		
FINISH	±		

**STE** TE Connectivity

NAME				
DDR1 & DDR2 SODIMM SOCKET				
0.6mm PITCH 200POS				
STANDARD PROFILE STANDARD TYPE				
SIZE	CAGE CODE	DRAWING NO	RESTRICTED TO	
A3	00779	C-1717254	-	
SCALE		SHEET	REV	
2:1		3 OF 4	D2	

P	LTR	DESCRIPTION	DATE	DWN	APVD
-	-	SEE SHEET 1	-	-	-



1.8V (DDR2)	150EA/REEL	1717254-4
2.5V (DDR1)	150EA/REEL	1717254-1
POWER SUPPLY (TYPE)	QTY	P/N

THIS DRAWING IS A CONTROLLED DOCUMENT.		DWN	TE Connectivity NAME DDR1 & DDR2 SODIMM SOCKET 0.6mm PITCH 200POS STANDARD PROFILE STANDARD TYPE			
DIMENSIONS: MM		CHK				PRODUCT SPEC
TOLERANCES UNLESS OTHERWISE SPECIFIED: 0 PLC ± 1 PLC ± 2 PLC ± 3 PLC ± 4 PLC ± ANGLES ± FINISH ±		APVD				APPLICATION SPEC
MATERIAL		APVD				WEIGHT
		SIZE CAGE CODE DRAWING NO RESTRICTED TO A3 00779 C-1717254 -				
CUSTOMER DRAWING		SCALE 1:1	SHEET 4 OF 4	REV D2		

# Mouser Electronics

Authorized Distributor

Click to View Pricing, Inventory, Delivery & Lifecycle Information:

[TE Connectivity:](#)

[1717254-1](#)