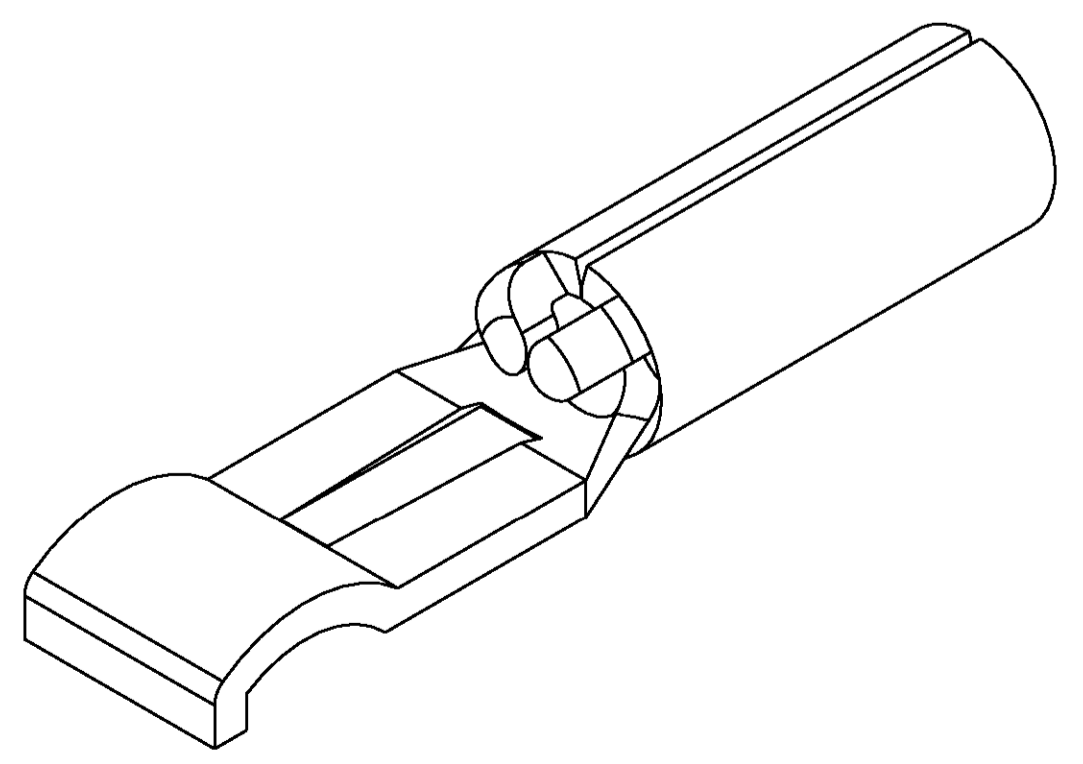
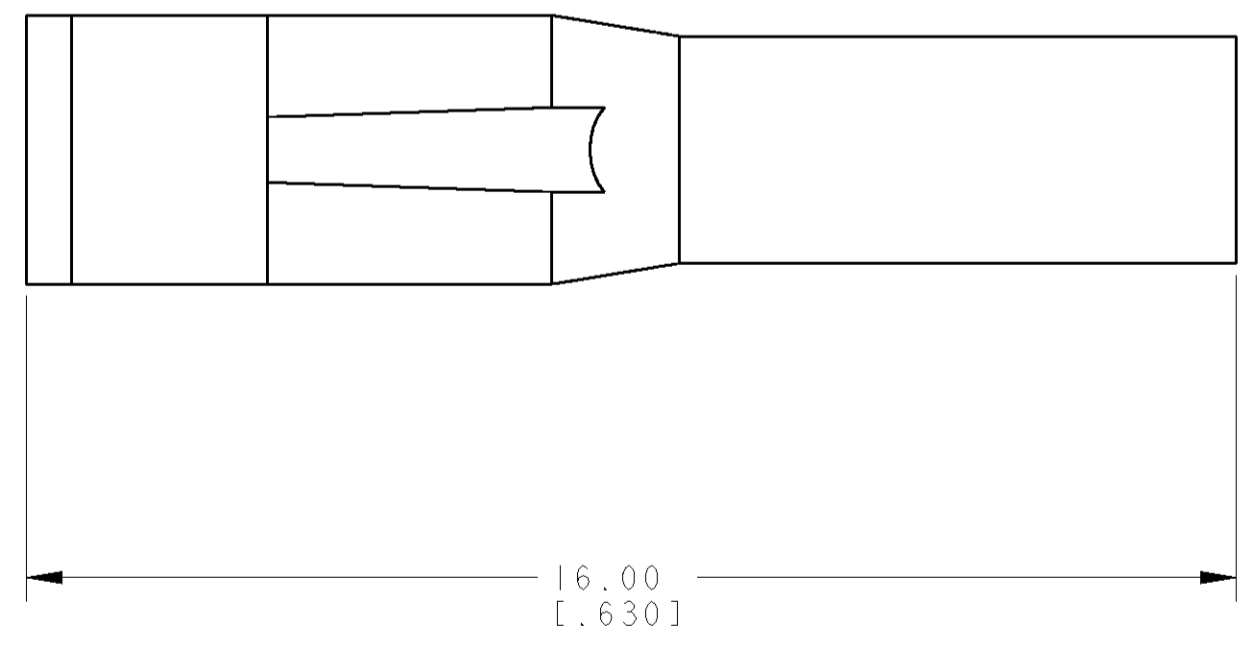
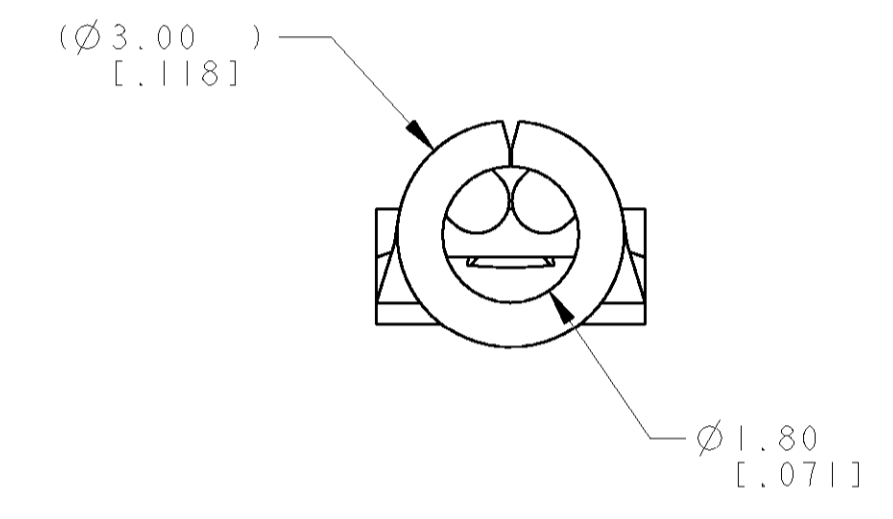
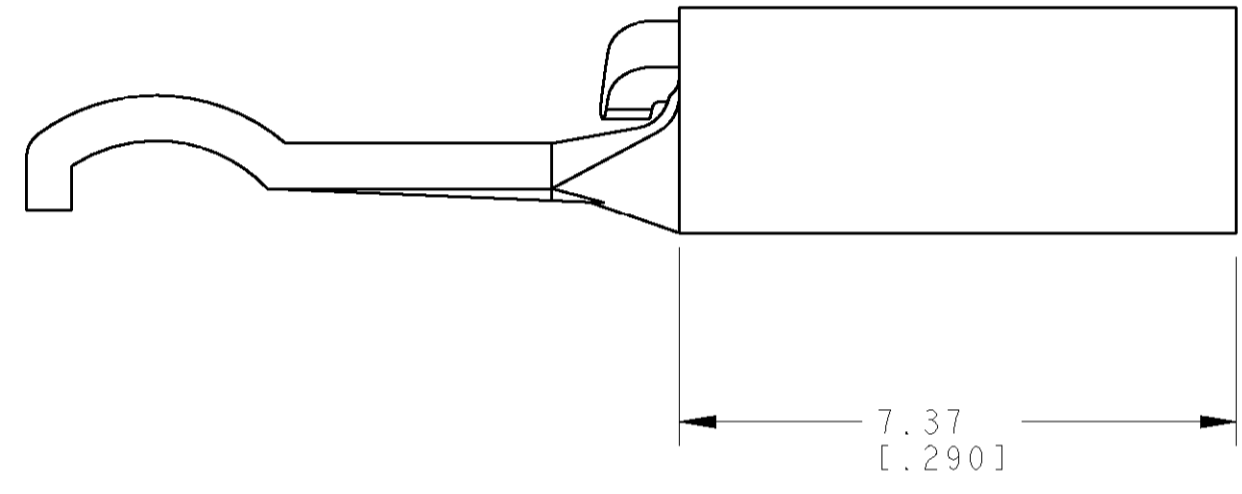
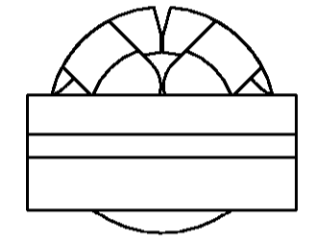
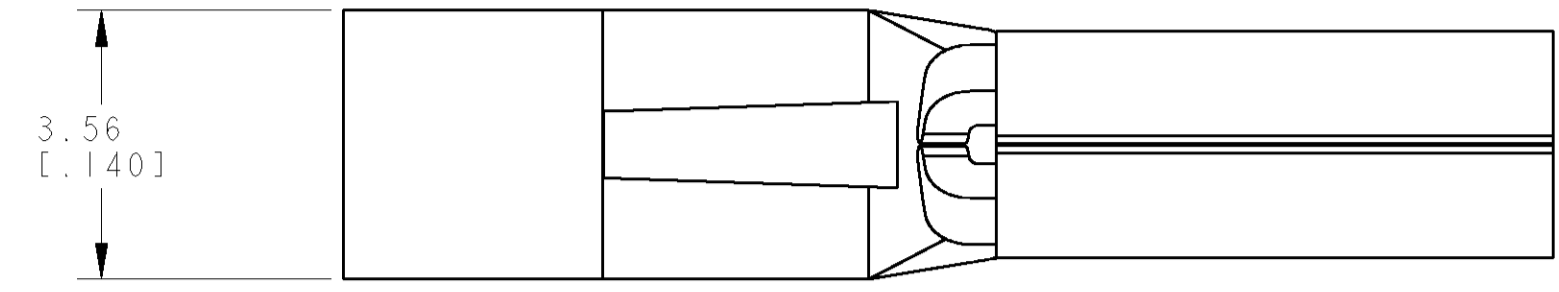


LOC		DIST		REVISIONS			
CM	00	P	LTR	DESCRIPTION	DATE	DWN	APVD
		0		REVISED PER 0638-1032-04	10NOV04	KW	JE



1744042-1  
PART NUMBER

METRIC

<small>THE DIMENSIONS IN THIS DRAWING ARE UNLESS OTHERWISE SPECIFIED IN MILLIMETERS OR INCHES. DIMENSIONS ARE TO BE TAKEN TO THE CENTER OF THE PART UNLESS OTHERWISE SPECIFIED.</small>		DWN B. WHITAKER 10NOV2004	Tyco Electronics Harrisburg, PA 17105-3608
DIMENSIONS: mm [INCHES]	TOLERANCES UNLESS OTHERWISE SPECIFIED:	ENR J. ELLIS 10NOV2004	NAME LOOSE PIECE CONTACT, 16 - 20 AWG, AMP POWER SERIES 15
0 PLC ± 1 PLC ±0.5 [0.02] 2 PLC ±0.13 [0.005] 3 PLC ± 4 PLC ±	ANGLE ±40° 30'	APVD J. ELLIS 10NOV2004	PRODUCT SPEC APPLICATION SPEC
MATERIAL COPPER	FINISH SILVER	WEIGHT -	SIZE CAGE CODE DRAWING NO A100779C=1744042
CUSTOMER DRAWING		SCALE 10:1	SHEET 1 OF 1 REV 0

# Mouser Electronics

Authorized Distributor

Click to View Pricing, Inventory, Delivery & Lifecycle Information:

[TE Connectivity:](#)

[1744042-1](#)