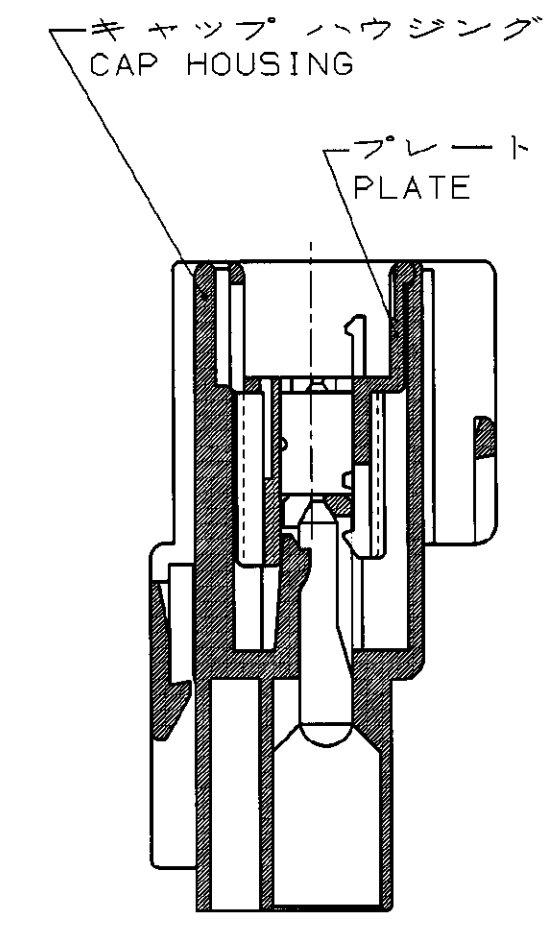
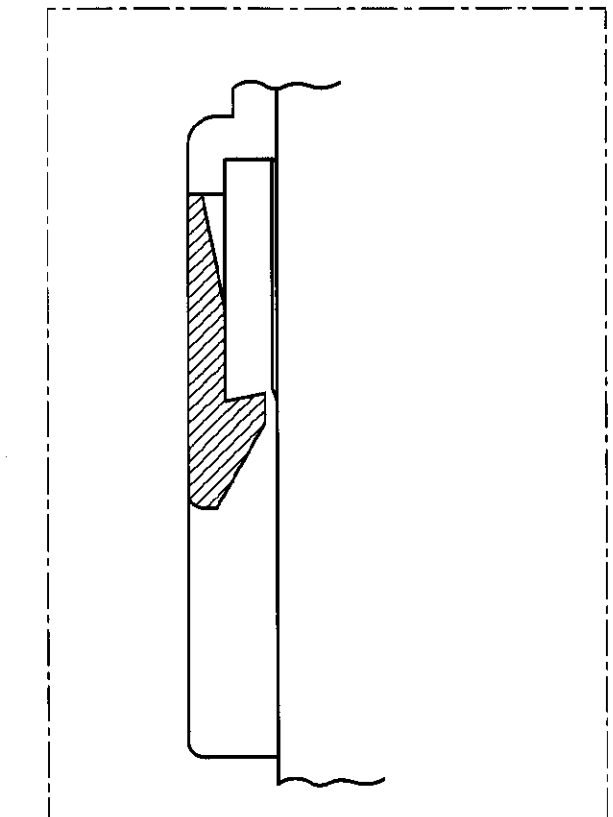
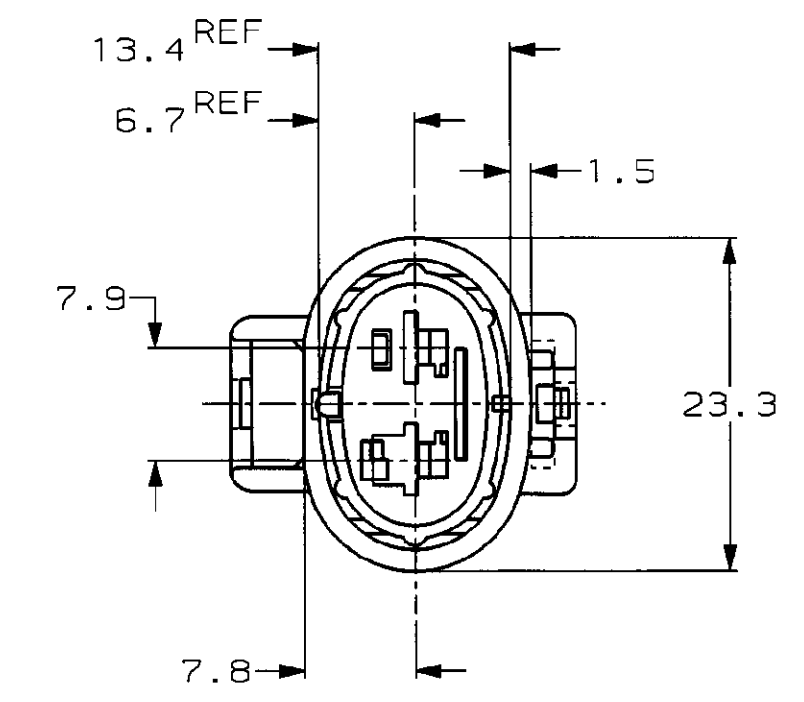
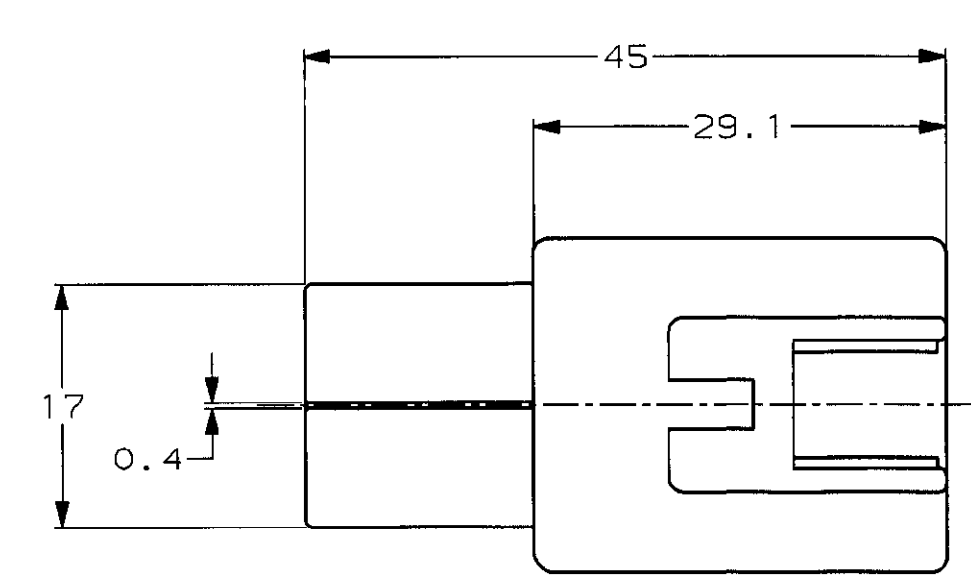
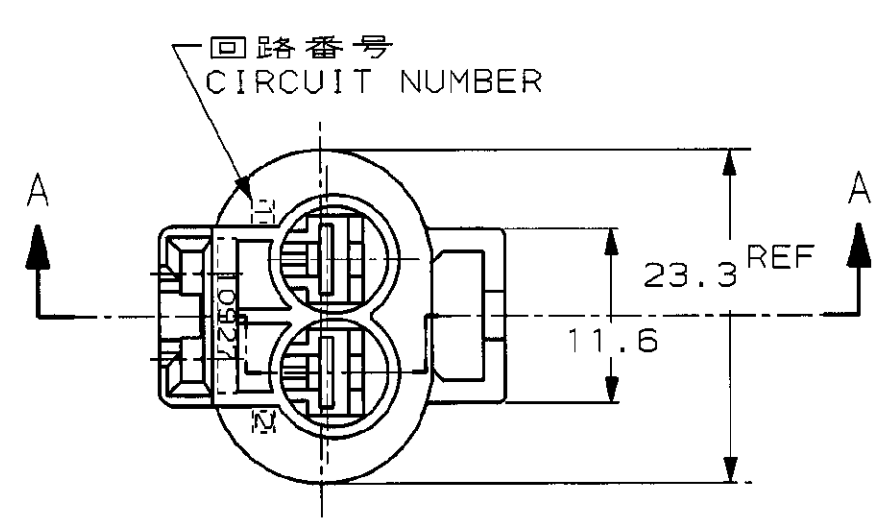
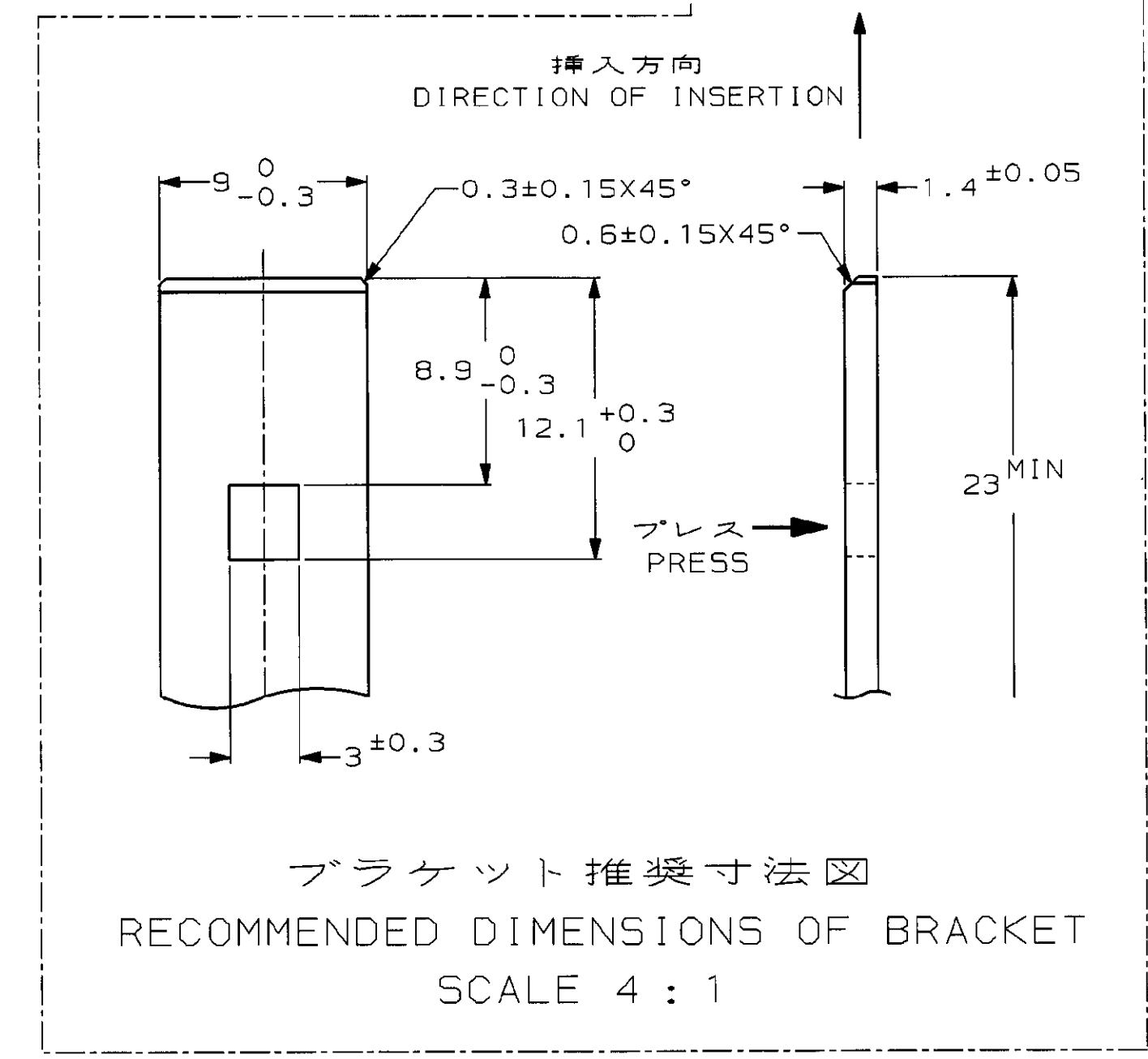
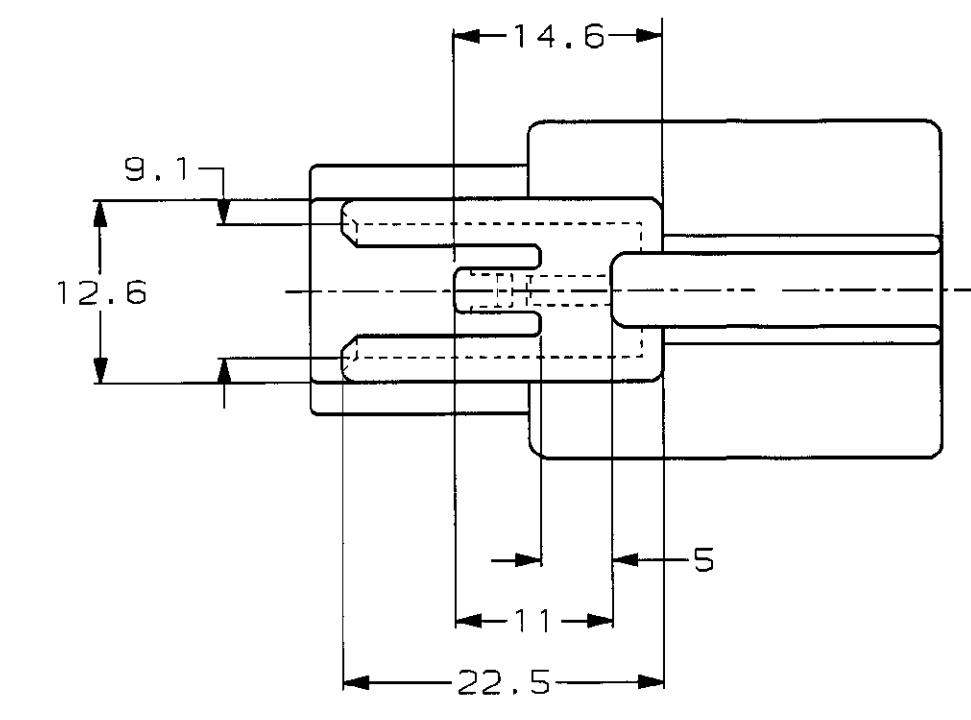
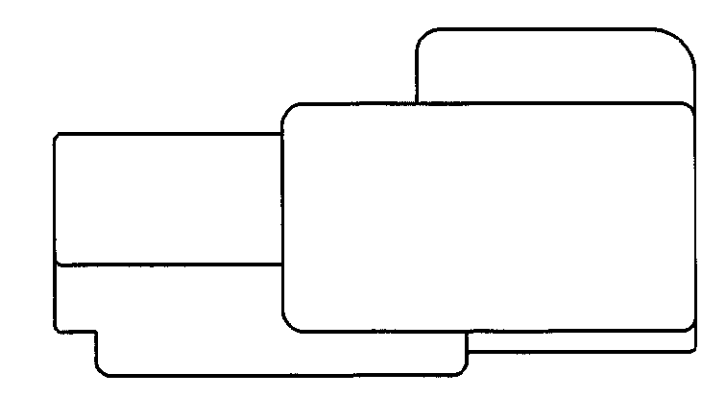


NUMBER 176143
METRIC
3RD ANGLE PROJECTION



A-A



- 1. 嵌合相手品番 : 176146
 - 2. 製品規格 : 108-5294
-
- 1. MATING PART NUMBER : 176146
 - 2. PRODUCT SPECIFICATION : 108-5294

LIGHT GRAY	6-176143-6
DARK GRAY	176143-6
BLACK	176143-2
色 (COLOR)	項番 (P/N)

				AMP Kawasaki, Japan		AMP AMP (JAPAN), LTD. Tokyo, Japan			
				WIRE RANGE		INSULATION DIA		NAME	
				mm (AWG)		mm		.187 SERIES SEALED CONNECTOR 2Pos. CAP HOUSING ASSY	
B	変更 (REVISED)	FJ00-1278-89	TS	KB	21JUL 91	MATERIAL	PBT	COLOR	表参照 (SEE TABLE)
A	変更 (REVISED)	J-1668	TK	MT	10/21 92	GENERAL TOLERANCE		SIZE	LOC
O	作成 (RELEASED)	J-483	YK	KO	11/12 91	0\times10 : ± 0.2		C	J
				DR. <i>G. Kinoshita</i>		11/12 91		NUMBER	
				CHK. <i>K. Oda</i>		11/12 91		C-176143	
LTR	REVISION RECORD	DR	CHK	DATE	APP. <i>S. Oshita</i>		SCALE		REV.
						30\times100 : ± 0.3		2-1	B
						ANGLES : $\pm 3^\circ$		SHEET	
								1 OF 1	

CUSTOMER DRAWING

DIMENSIONS IN MILLIMETERS. DO NOT SCALE PRINT

Mouser Electronics

Authorized Distributor

Click to View Pricing, Inventory, Delivery & Lifecycle Information:

[TE Connectivity:](#)

[176143-6](#)