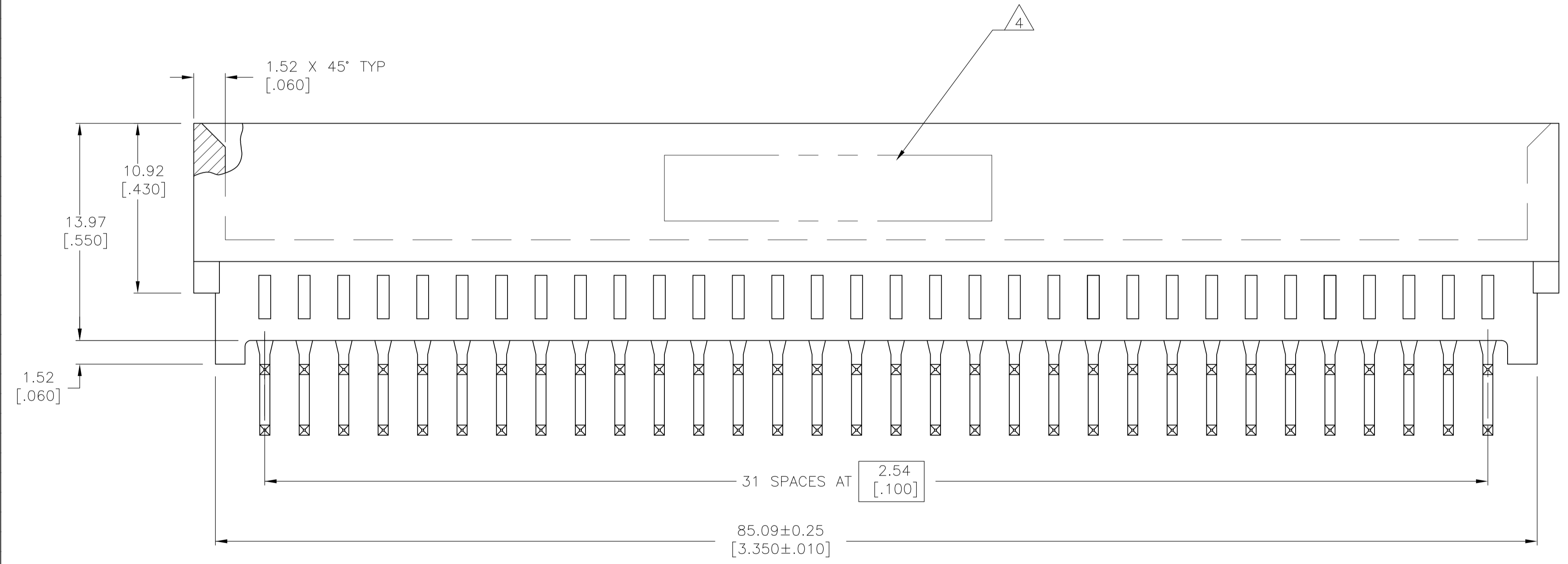
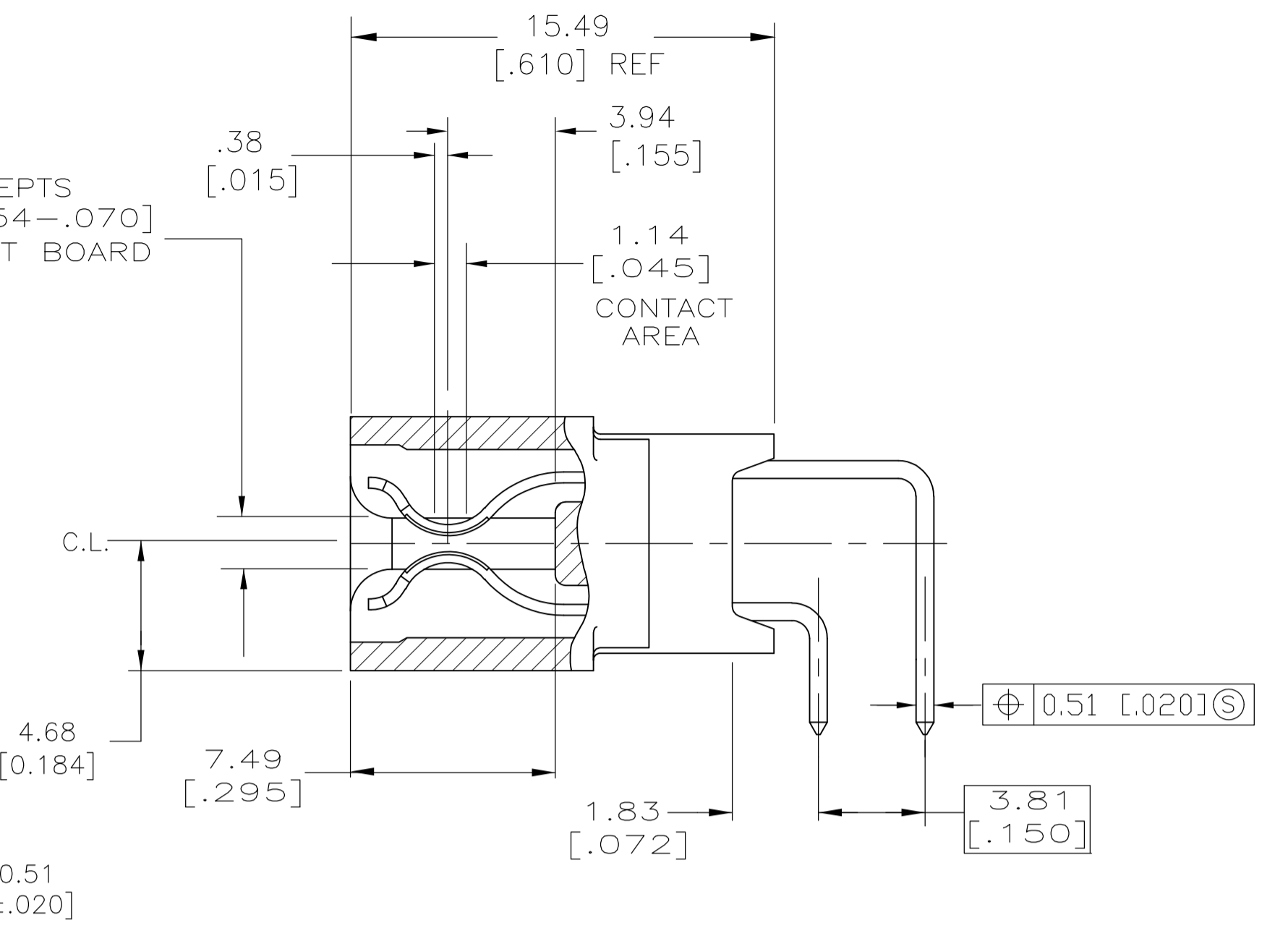


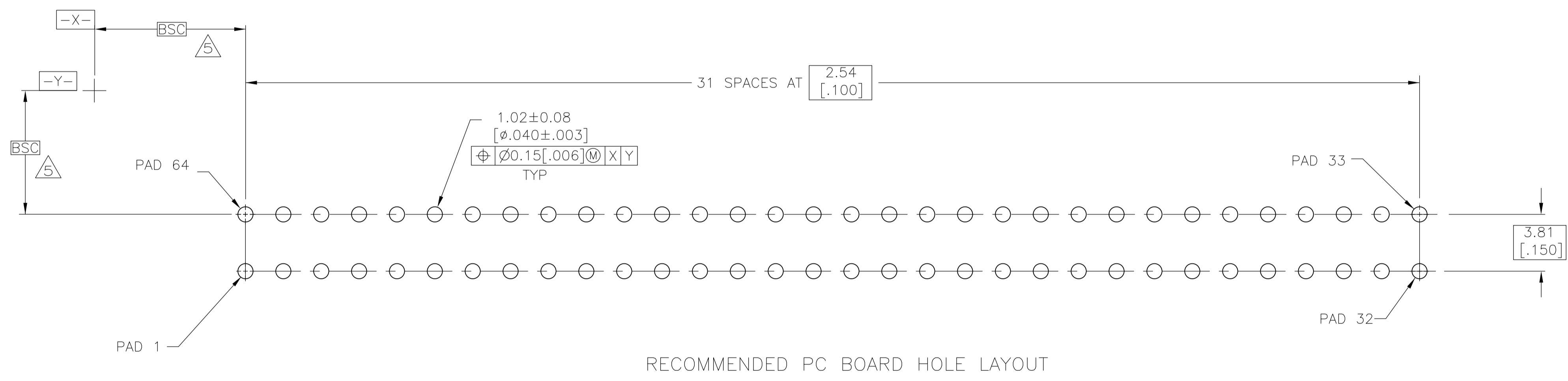
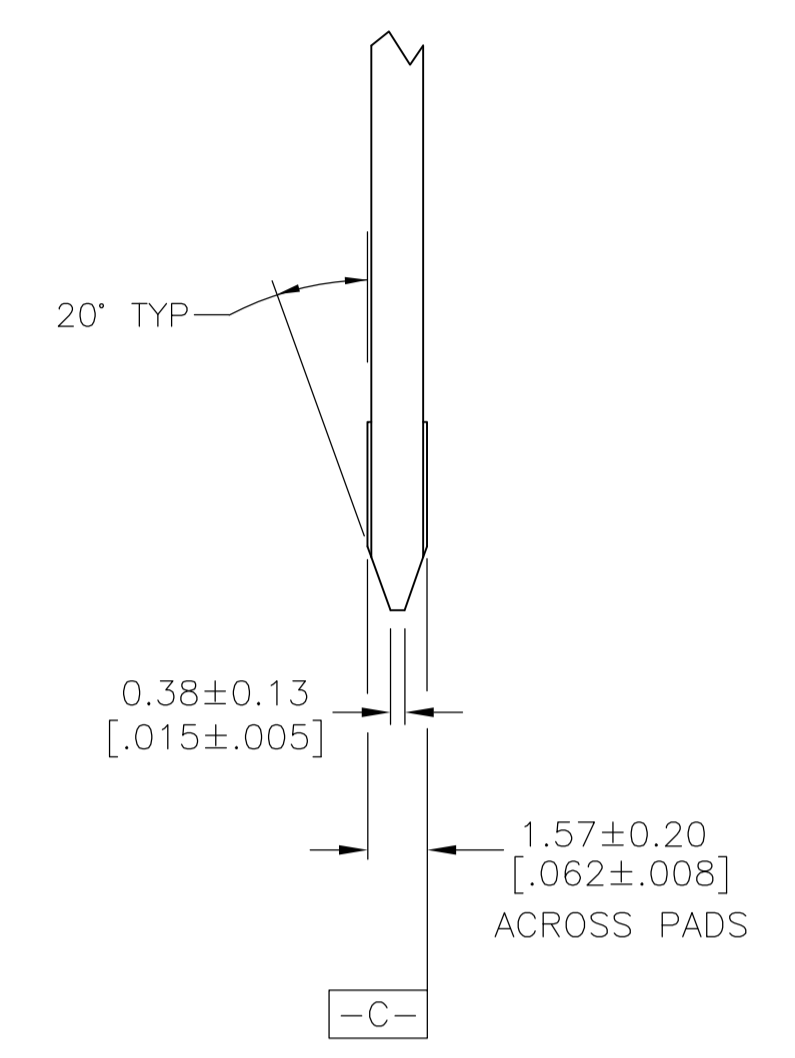
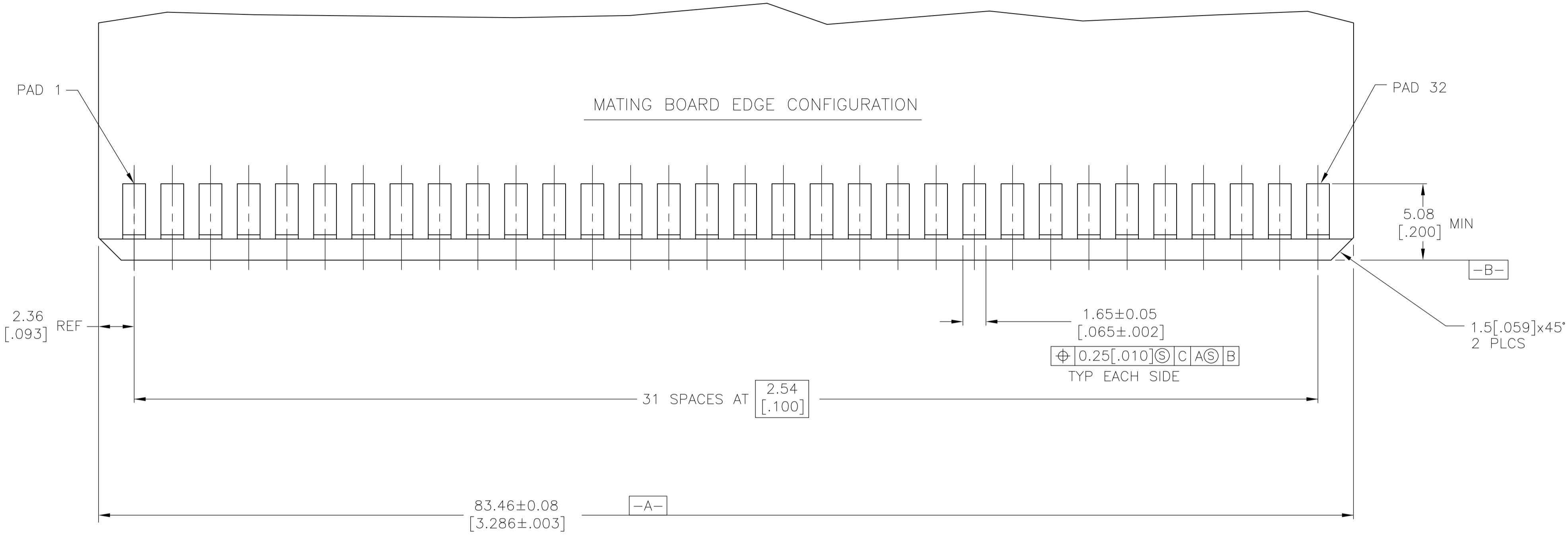
CARD SLOT ACCEPTS
 1.37-1.78 [.054-.070]
 PRINTED CIRCUIT BOARD



- HOUSING: GLASS FILLED POLYESTER, BLACK.
 - CONTACT: HIGH CONDUCTIVITY COPPER ALLOY.
 NICKEL PLATE .00127 [.000050] MIN - ALL OVER.
 MATTE TIN PLATE .00254 [.000100] MIN - SOLDER POSTS.
 GOLD PLATE .00038 [.000015] MIN - MATING AREA.
 - NICKEL PLATE PER MIL-G-45204
 GOLD PLATE PER QQ-N-290
- △ 4 TYCO PART NUMBER AND DATE CODE MAY BE MARKED IN APPROXIMATE AREA SHOWN, EITHER SIDE.
 △ 5 DATUMS PLUS BASIC DIMENSIONS ESTABLISHED BY CUSTOMER.

1761468-1
 PART NUMBER

THIS DRAWING IS A CONTROLLED DOCUMENT.		DIN R GRZYBOWSKI 21SEPT04	Tyco Electronics Corporation Harrisburg, PA, 17105-3608	
DIMENSIONS: mm [INCHES]		CHK A FRANTUM 21SEPT04	NAME	
TOLERANCES UNLESS OTHERWISE SPECIFIED:		APVD A FRANTUM 21SEPT04	PRODUCT SPEC	
0. PLC ± -	1. PLC ± -	108-9039		
2. PLC ± .13[.005]	3. PLC ± -	APPLICATION SPEC		
4. PLC ± -	ANGLES ± °	114-13018		
MATERIAL SEE NOTE 1 & 2	FINISH SEE NOTE 2 & 3	WEIGHT	SIZE CAGE CODE DRAWING NO. RESTRICTED TO	
			A1 00779 C=1761468	
CUSTOMER DRAWING		SCALE 5:1	SHEET 1 OF 2	REV C2



THIS DRAWING IS A CONTROLLED DOCUMENT.		DIN R GRZYBOWSKI 21SEPT04	Tyco Electronics Corporation Harrisburg, PA, 17105-3608	
DIMENSIONS: mm [INCHES]		CHK A FRANTUM 21SEPT04	NAME	
TOLERANCES UNLESS OTHERWISE SPECIFIED:		APVD A FRANTUM 21SEPT04	PRODUCT SPEC	
0 PLC ± -	1 PLC ± -	108-9039		
2 PLC ± .13[.005]	3 PLC ± -	APPLICATION SPEC		
4 PLC ± -	ANGLES ± ± °	114-13018	SIZE	CAGE CODE DRAWING NO
MATERIAL SEE SHEET 1	FINISH SEE SHEET 1	WEIGHT -	A1 00779	1761468
		CUSTOMER DRAWING		RESTRICTED TO
		SCALE 5:1	SHEET 2 OF 2	REV C2

Mouser Electronics

Authorized Distributor

Click to View Pricing, Inventory, Delivery & Lifecycle Information:

[TE Connectivity:](#)

[1761468-1](#)