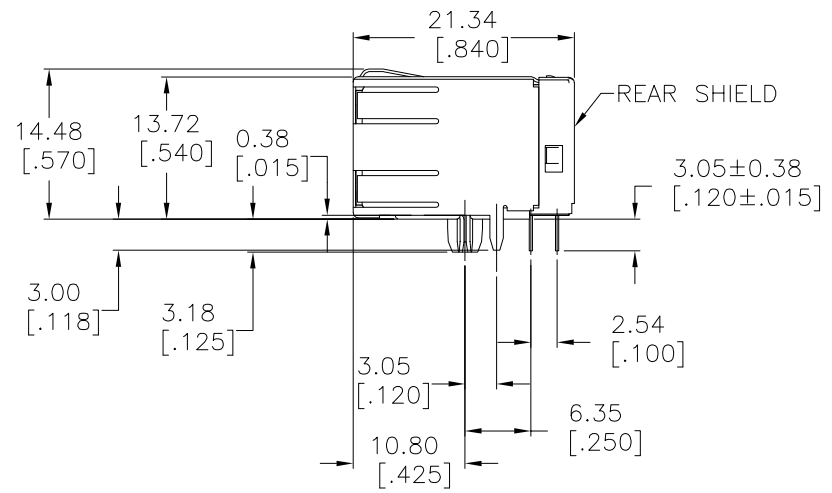
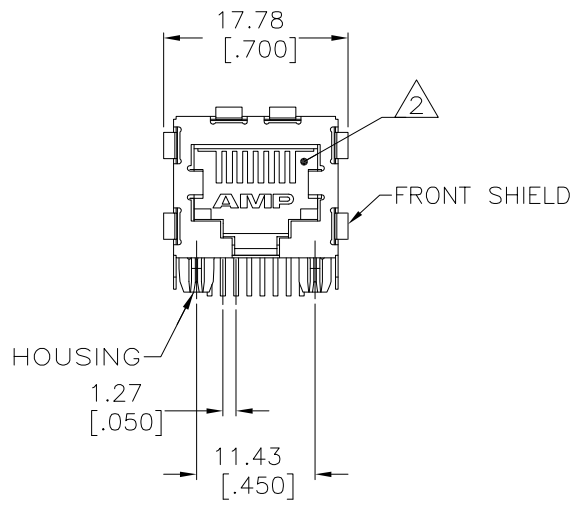
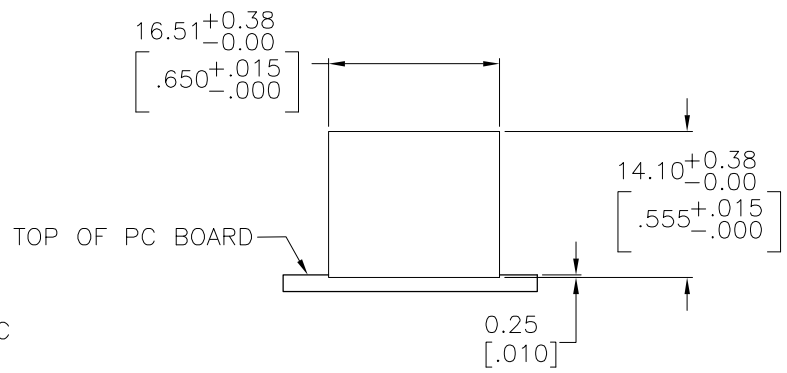
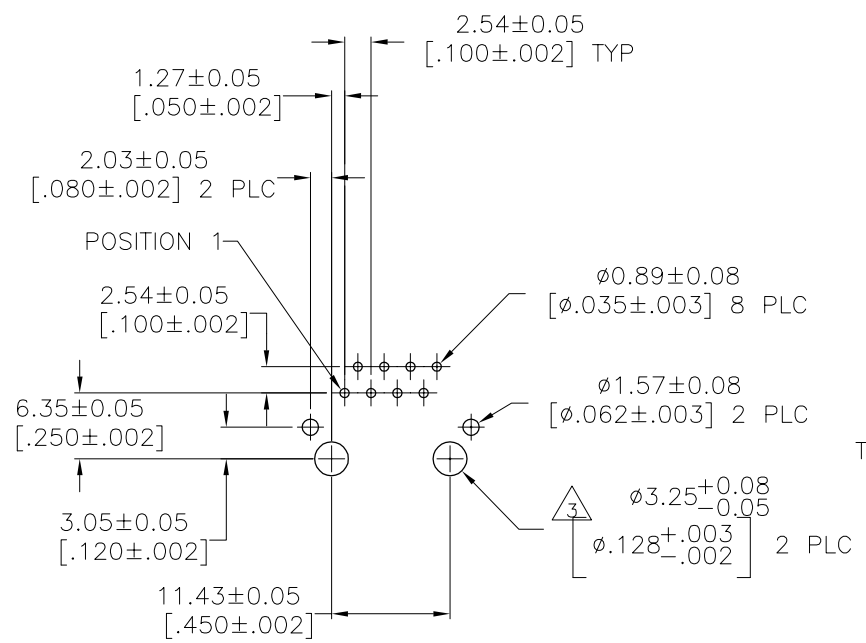


LOC	DIST	REV	DESCRIPTION	DATE	BY	APP
AA	00					
C1			ECR-09-004284	16APR2009	TY	SY



- MATERIAL: HOUSING - NYLON, COLOR: BLACK, UL 94V-0.
 OVERMOLDED TERMINAL ARRAY - PBT, COLOR: BROWN.
 TERMINALS - 0.33[.013] THICK PHOS BRONZE PLATED WITH 1.27μm[.000050] MINIMUM THICK HARD GOLD IN LOCALIZED AREA AND 3.81μm[.000150] MINIMUM THICK TIN IN SOLDER AREA OVER 1.27μm[.000050] MINIMUM THICK NICKEL UNDERPLATE.
 SHIELDS - 0.25[.010] THICK COPPER ALLOY PLATED WITH 1.27μm[.000050] MINIMUM NICKEL AND 2.03μm[.000080] MINIMUM HOT TIN DIP ON PCB GROUND TABS.
- JACK CAVITY CONFORMS TO FCC RULES AND REGULATIONS, PART 68 SUBPART F.
- USE #30 DRILL BIT OR 3.25mm DRILL BIT WHEN PRODUCING THESE PCB HOLES.
- DIELECTRIC WITHSTANDING VOLTAGE BETWEEN SHIELD AND TERMINAL IS 1500 VAC



RECOMMENDED PC BOARD LAYOUT
 COMPONENT SIDE

RECOMMENDED PC BOARD LAYOUT
 COMPONENT SIDE

1888068-1
 PART NUMBER

THIS DRAWING IS A CONTROLLED DOCUMENT.		DATE: 27JUL05	BY: E. GRZYBOWSKI	DATE: 27JUL05	APP: J. WESTMAN	DATE: 27JUL05	NAME: J. WESTMAN	TYCO ELECTRONICS	Tyco Electronics Corporation Harrisburg, PA 17105-3608
DIMENSIONS:	mm (INCHES)	0 PLC ± -	1 PLC ± -	2 PLC ± 0.25(.01)	3 PLC ± 0.13(.005)	4 PLC ± -	APPROXIMATE WEIGHT	114-2048	SIZE: A1
MATERIAL:		SEE NOTE 1		SEE NOTE 1		WEIGHT:		RESTRICTED TO	
CUSTOMER DRAWING		SCALE: 4:1		SHEET: 1 of 1		REV: C1		100779	

Mouser Electronics

Authorized Distributor

Click to View Pricing, Inventory, Delivery & Lifecycle Information:

[TE Connectivity:](#)

[1888068-1](#)