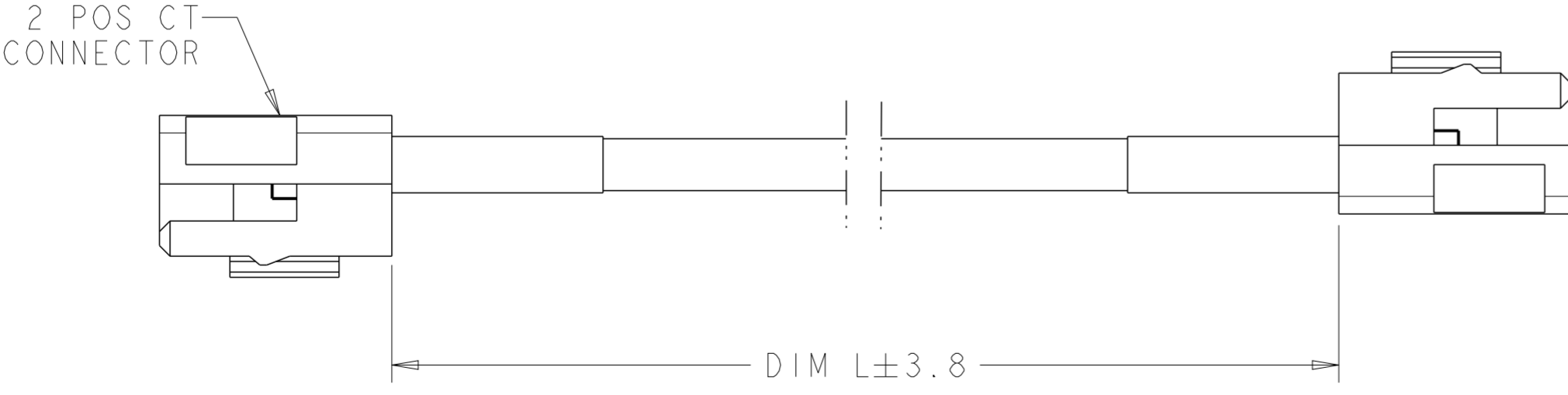
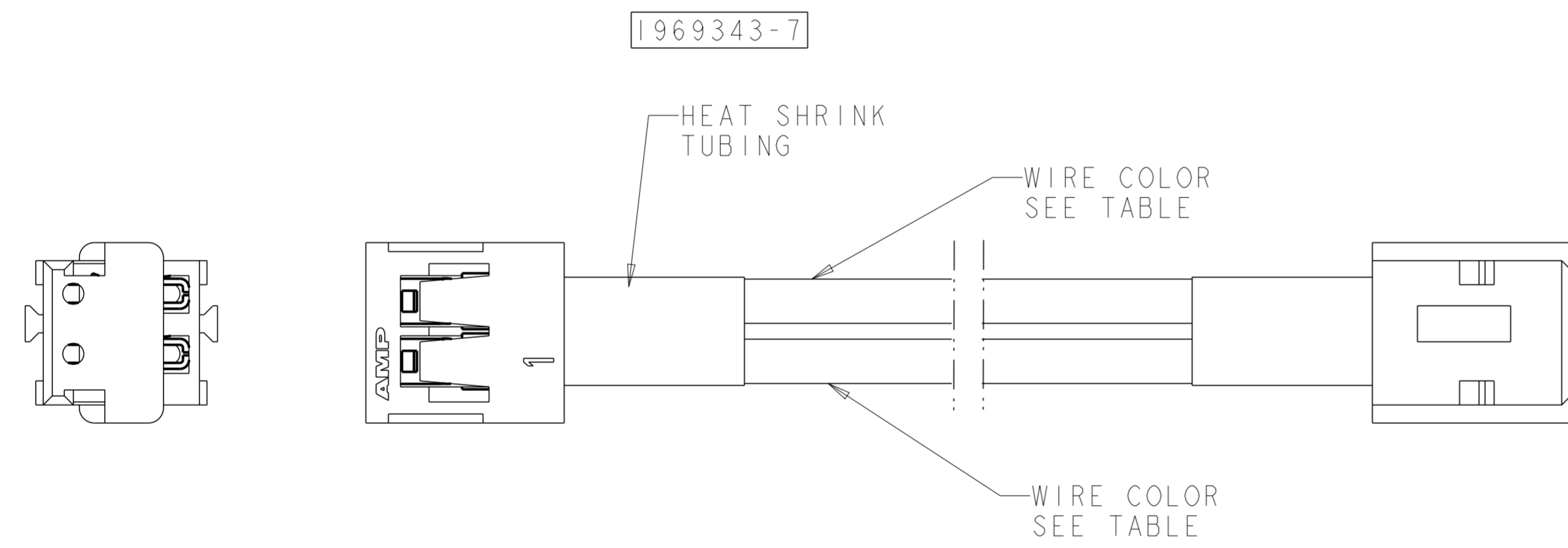
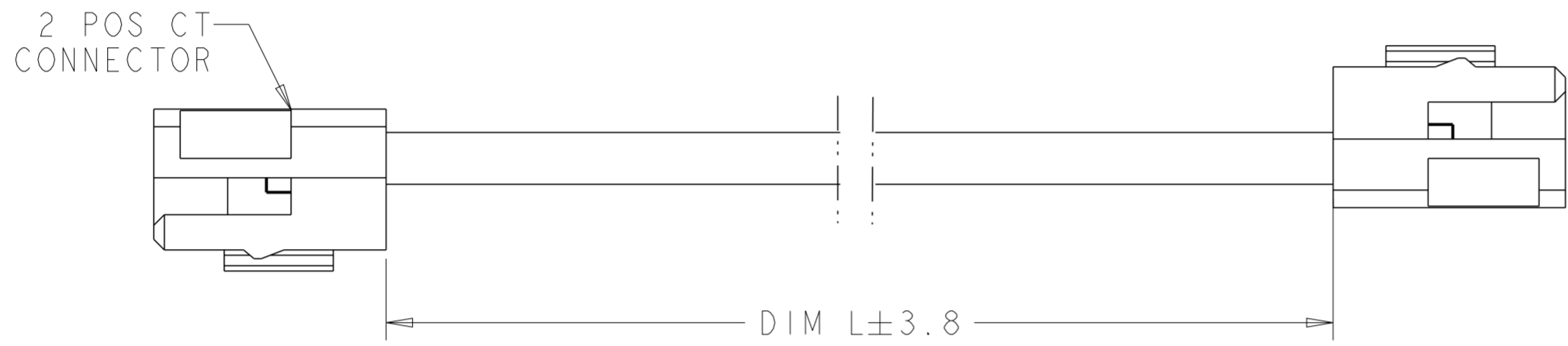
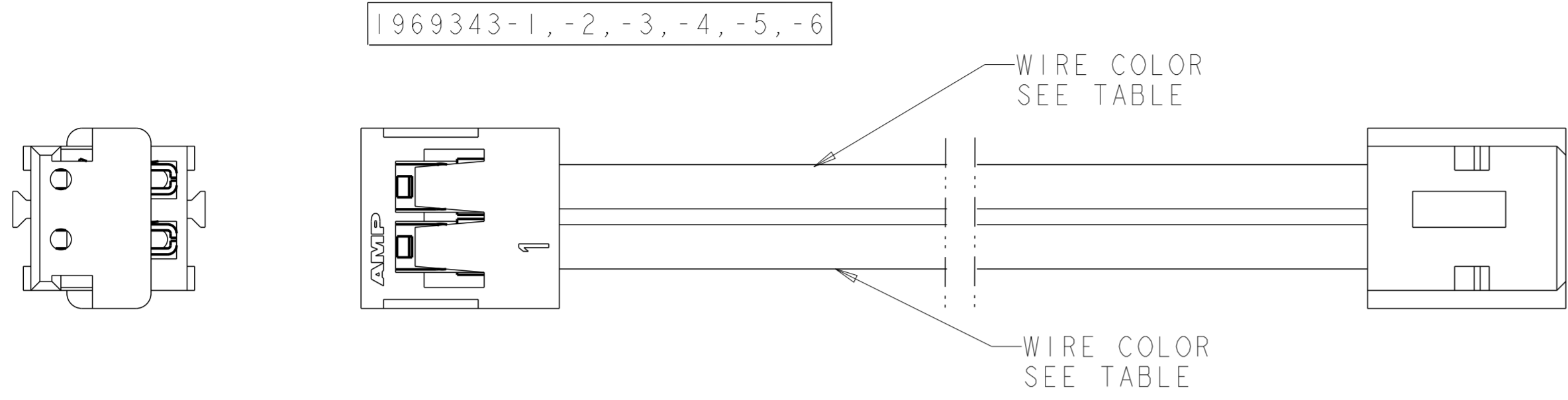
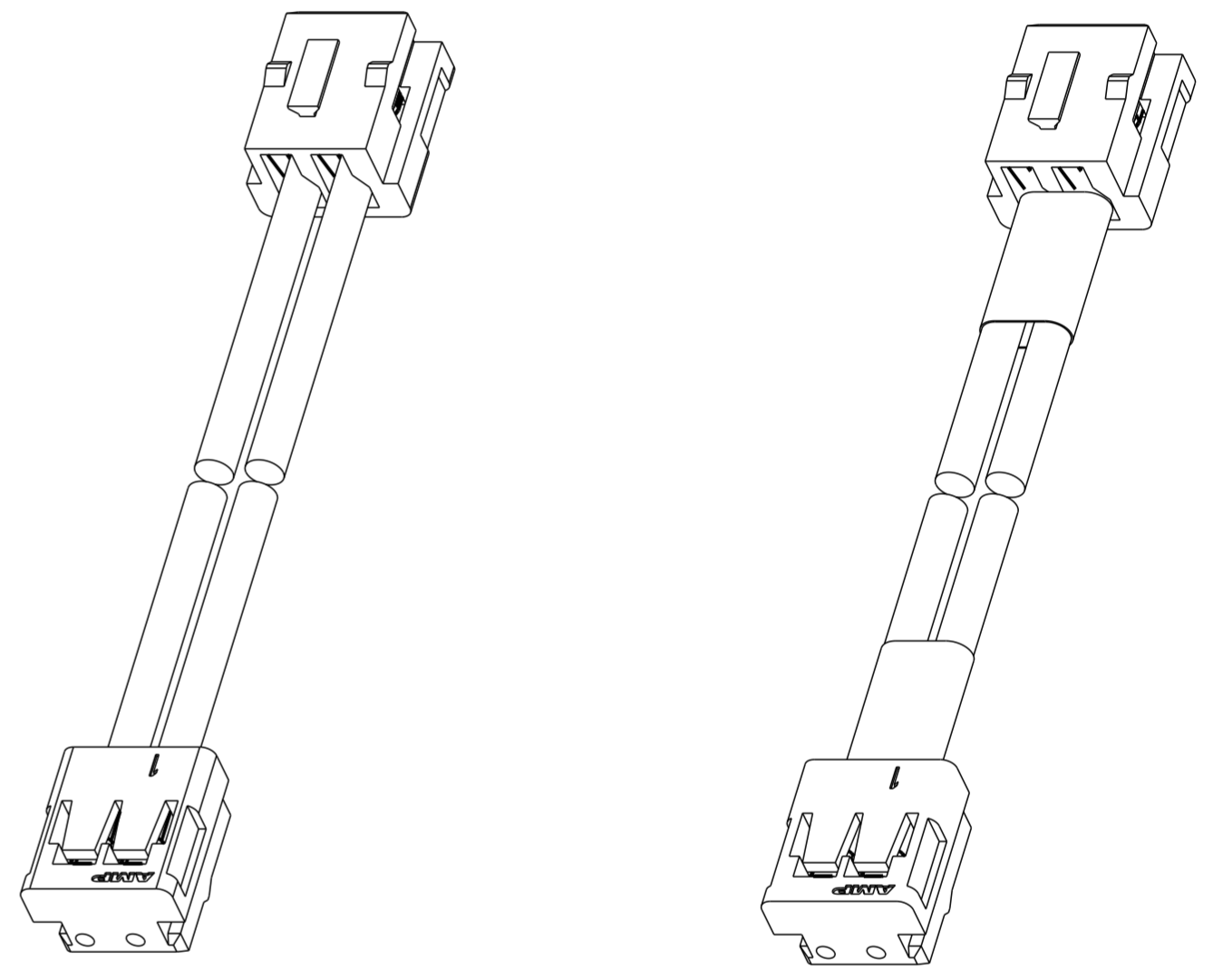


THIS DRAWING IS UNPUBLISHED. RELEASED FOR PUBLICATION 20
 © COPYRIGHT 20 BY - ALL RIGHTS RESERVED.

LOC	DIST	REVISIONS			
P	LTR	DESCRIPTION	DATE	DWN	APVD
B		PER ECR-11-017710	28MAR2012	PB	PB
C		ECR-13-004256	11MAR2013	TB	DM
E		ECR-13-013625	29AUG2013	TB	DM



⚠ MATERIALS AND FINISH:
 HOUSING: NYLON, COLOR: BLACK
 CONTACTS: COPPER ALLOY, FINISH: Ag OVER Sn
 WIRE: 24 AWG, UL 1007
 2. MUST COMPLY WITH DIRECTIVE 2002/95/EC (ROHS)



1969343-1, -2, -3, -4, -5, -6
 SCALE 4:1

1969343-7
 SCALE 4:1

WHITE	WHITE	150.0	1969343-7
WHITE	WHITE	300.0	1969343-6
WHITE	WHITE	150.0	1969343-5
WHITE	WHITE	50.0	1969343-4
BLACK	RED	300.0	1969343-3
BLACK	RED	150.0	1969343-2
BLACK	RED	50.0	1969343-1
WIRE COLOR POSITION #2	WIRE COLOR POSITION #1	DIM L	PART NO.

THIS DRAWING IS A CONTROLLED DOCUMENT.

DIMENSIONS: mm	TOLERANCES UNLESS OTHERWISE SPECIFIED: 0 PLC ± 1 PLC ± 2 PLC ± 3 PLC ± 4 PLC ± ANGLES ± FINISH	DWN JR RUTH 10DEC09 CHK D DECKER 10DEC09 APVD D DECKER 10DEC09 PRODUCT SPEC APPLICATION SPEC WEIGHT	TE Connectivity NAME CABLE ASSEMBLY CT, 2 POSITION		RESTRICTED TO
MATERIAL		SIZE A2 CAGE CODE 00779 DRAWING NO. C-1969343	SCALE NTS	SHEET 1 OF 1	REV E

CUSTOMER DRAWING

Mouser Electronics

Authorized Distributor

Click to View Pricing, Inventory, Delivery & Lifecycle Information:

[TE Connectivity:](#)

[1969343-5](#)