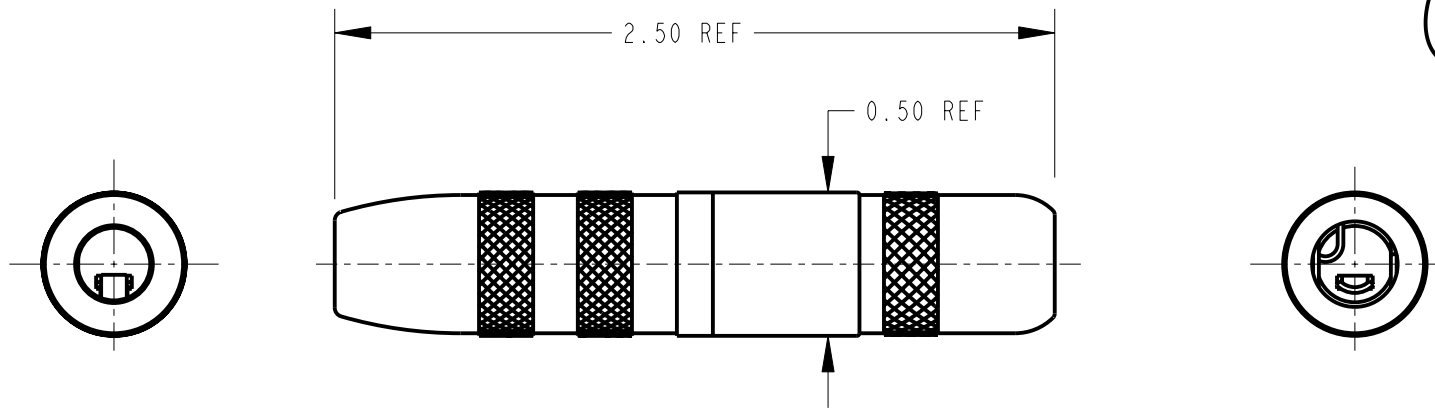
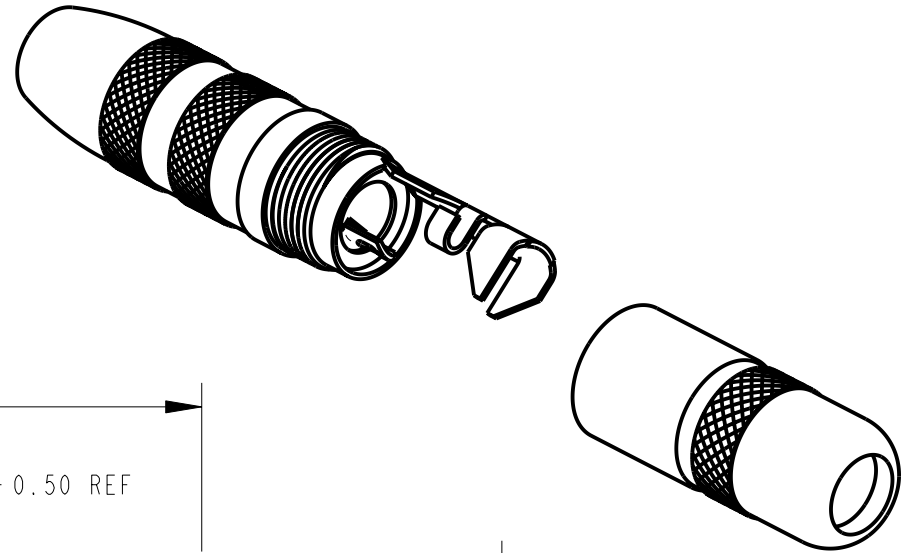


MATERIALS

- BODY, SLEEVE AND SHIELDED HANDLE - NICKEL PLATED COPPER ALLOY
- SPRINGS - SPECIAL COPPER ALLOY
- INSULATION - THERMOPLASTIC
- CLAMP TERMINAL - TIN PLATED COPPER ALLOY



CUSTOMER DRAWING

					★ STAR SYMBOL DENOTES CRITICAL DIMENSION	THIS DRAWING DESCRIBES A DESIGN CONSIDERED PROPRIETARY IN NATURE, DEVELOPED AND MANUFACTURED BY SWITCHCRAFT INC. AND IS RELEASED ON A CONFIDENTIAL BASIS FOR IDENTIFICATION PURPOSES ONLY.					
					UNLESS OTHERWISE SPECIFIED	SIZE	WIDTH	MULT	LBS/M	TEMPER	
					1. ALL DIMENSIONS IN INCHES - TWO PLACE DECIMALS ±0.01 - THREE PLACE DECIMALS ±0.005 - ANGLES ±1° - ALL DIA. CONCENTRIC WITHIN 0.005 T.I.R.	FINISH			MATERIAL		
					2. FEATURES ON THE SAME CENTERLINE MUST BE ALIGNED WITHIN ±0.002	SPEC No.			SPEC No.		
					3. REMOVE ALL BURRS	FIRST USED ON			SCALE		
						3:2			Switchcraft®		
F	23647	10-28-02	JL	JF	DATE DRAWN	BY	CHKD	APVD			
REVISIONS					DO NOT SCALE DRAWING	28-Oct-02	JL	JF 10-28-02	JF 10-28-02	SHEET	OF
						NAME			PART No.		
						EXTENSION JAX (2 COND.)			121		
									REV F		

Mouser Electronics

Authorized Distributor

Click to View Pricing, Inventory, Delivery & Lifecycle Information:

[Switchcraft:](#)

[121](#) [121PKG](#)