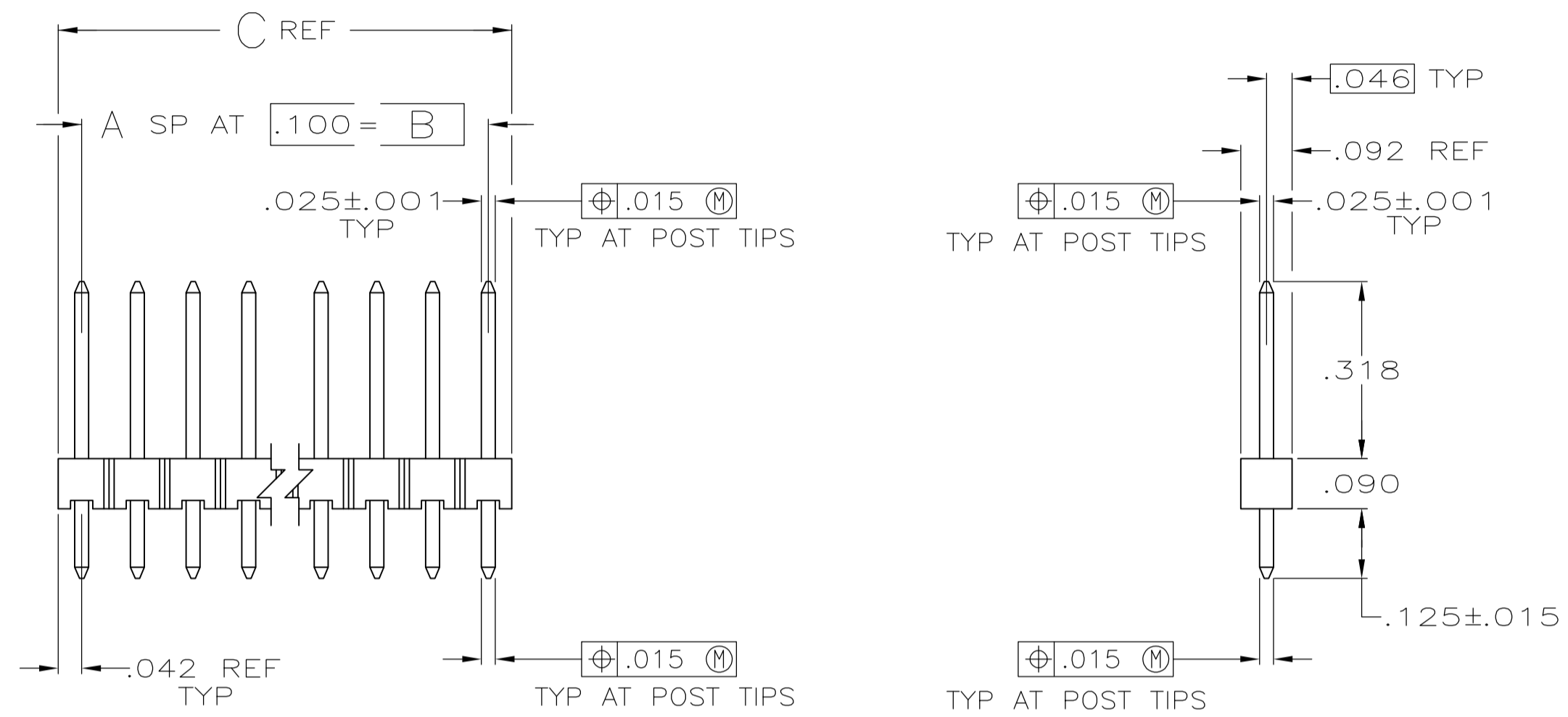
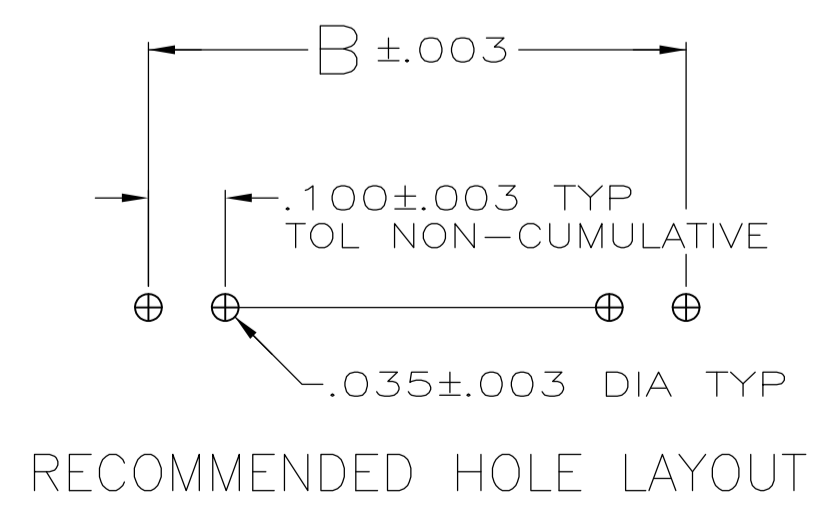


LOC		DIST		REVISIONS				
AD	39	P	LTR	DESCRIPTION	DATE	DWN	APVD	
R	REVISED	PER	ECO-14-000068		26APR2014	NK	MM	



- TRUE POSITION TOLERANCE OF THE POST TIPS APPLIES WHEN THE HEADERS ARE HELD FLAT AGAINST THE PRINTED CIRCUIT BOARD
- ASSEMBLY MAY BE BROKEN TO THE DESIRED NUMBER OF POSITIONS
- PACKAGE IN SINGLE TUBES
- .000100-.000200 MATTE TIN-LEAD OVER .000050 NICKEL.
- .000100-.000200 BRIGHT TIN OVER .000050 NICKEL.
- PRELIMINARY PART - NOT RELEASED FOR PRODUCTION.
- HOUSING MATERIAL: FLAME RETARDANT THERMOPLASTIC; COLOR-BLACK.
- OBSOLETE PARTS: OBSOLETE CIS STREAMLINING PER D.RENAUD/D.SINISI



OBSOLETE			.484	.400	4	5	5-103321-3
	5	6	1.384	1.300	13	14	5-103321-2
	5	6	1.184	1.100	11	12	5-103321-1
	5	6	1.084	1.000	10	11	5-103321-0
	5	6	.884	.800	8	9	4-103321-9
	5		3.984	3.900	39	40	4-103321-8
	5		1.584	1.500	15	16	4-103321-7
	5		.784	.700	7	8	4-103321-6
	5		.284	.200	2	3	4-103321-5
	5		.184	.100	1	2	4-103321-4
	5	6	.084	-	-	1	4-103321-3
		3	1.384	1.300	13	14	4-103321-2
SUPERSEDED BY 1-103321-4		3	.284	.200	2	3	4-103321-1
SUPERSEDED BY 103321-3		3	.284	.200	2	3	4-103321-1
	4		3.984	3.900	39	40	4-103321-0
	4		3.884	3.800	38	39	3-103321-9
	4		3.784	3.700	37	38	3-103321-8
	4		3.684	3.600	36	37	3-103321-7
	4		3.584	3.500	35	36	3-103321-6
	4		3.484	3.400	34	35	3-103321-5
	4		3.384	3.300	33	34	3-103321-4
	4		3.284	3.200	32	33	3-103321-3
	4		3.184	3.100	31	32	3-103321-2
	4		3.084	3.000	30	31	3-103321-1
	4		2.984	2.900	29	30	3-103321-0
	4		2.884	2.800	28	29	2-103321-9
	4		2.784	2.700	27	28	2-103321-8
	4		2.684	2.600	26	27	2-103321-7
	4		2.584	2.500	25	26	2-103321-6
	4		2.484	2.400	24	25	2-103321-5
	4		2.384	2.300	23	24	2-103321-4
	4		2.284	2.200	22	23	2-103321-3
	4		2.184	2.100	21	22	2-103321-2
	4		2.084	2.000	20	21	2-103321-1
SUPERSEDED BY 7-146274-0	4		1.984	1.900	19	20	2-103321-0
	4		1.884	1.800	18	19	1-103321-9
	4		1.784	1.700	17	18	1-103321-8
	4		1.684	1.600	16	17	1-103321-7
	4		1.584	1.500	15	16	1-103321-6
	4		1.484	1.400	14	15	1-103321-5
	4		1.384	1.300	13	14	1-103321-4
	4		1.284	1.200	12	13	1-103321-3
	4		1.184	1.100	11	12	1-103321-2
	4		1.084	1.000	10	11	1-103321-1
	4		.984	.900	9	10	1-103321-0
	4		.884	.800	8	9	103321-9
	4		.784	.700	7	8	103321-8
	4		.684	.600	6	7	103321-7
	4		.584	.500	5	6	103321-6
	4		.484	.400	4	5	103321-5
	4		.384	.300	3	4	103321-4
	4		.284	.200	2	3	103321-3
	4		.184	.100	1	2	103321-2
	4		.084	-	-	1	103321-1

THIS DRAWING IS A CONTROLLED DOCUMENT.		DIN J. MARTINELLI 15OCT92	STE TE Connectivity			
DIMENSIONS: INCHES: TOLERANCES UNLESS OTHERWISE SPECIFIED:		CHK JOHN KNITTLE 23NOV92				
0 PLC ± -	1 PLC ± -	APVD B. FLINCHBAUGH 23NOV92	ASSEMBLY, HEADER, BREAKAWAY, MOD II, SINGLE ROW, .100 C/L, VERTICAL, WITH .025 SQUARE POSTS			
2 PLC ± -	3 PLC ± .005	NAME	APPLICATION SPEC	SIZE	CAGE CODE	DRAWING NO
4 PLC ± -	ANGLES ± -	WEIGHT		A1	00779	103321
MATERIAL: POST: COPPER ALLOY	FINISH: SEE TABLE	CUSTOMER DRAWING	SCALE 4:1	SHEET 1 OF 1	REV	R

Mouser Electronics

Authorized Distributor

Click to View Pricing, Inventory, Delivery & Lifecycle Information:

[TE Connectivity:](#)

[4-103321-8](#)