



Precision Devices, Inc.

8840 N. Greenview Dr.
Middleton, WI 53562
Phone: 608-831-4445
1-800-274-XTAL
Fax: 608-831-3343



Visit our web site at www.pdixtal.com

Sales Information sales@pdixtal.com

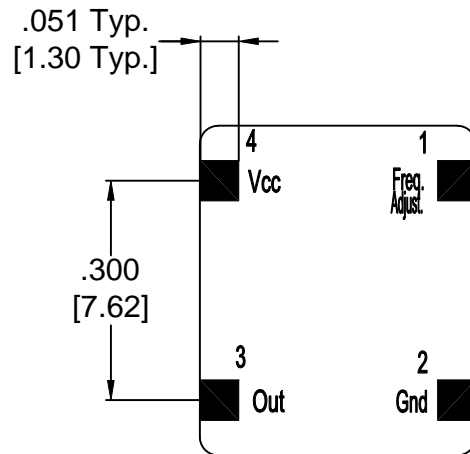
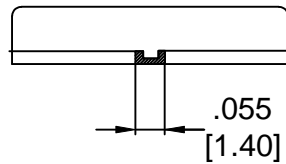
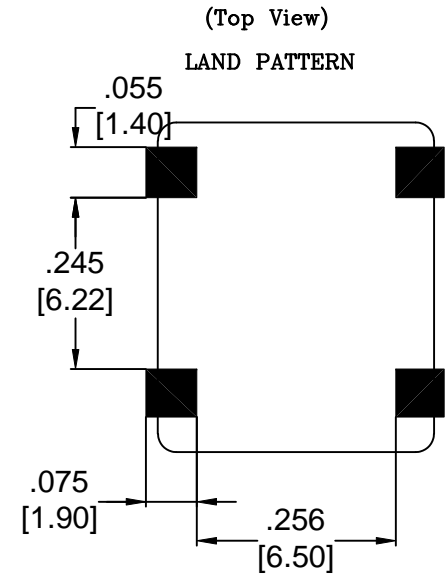
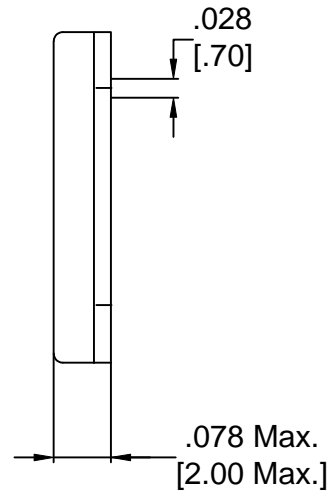
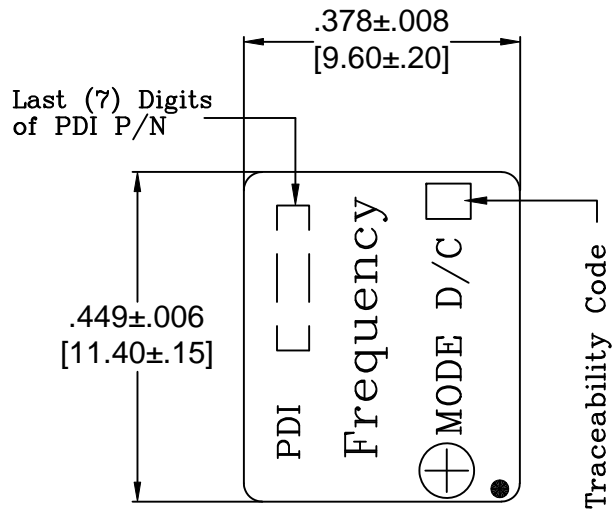
Electrical Specifications

1. Center Frequency: 10.000000MHz
2. Preset Frequency: $\pm 2.0\text{ppm}/+25^\circ\text{C} \pm 2.0^\circ\text{C}$
3. Operating Temperature Range: -30°C to $+75^\circ\text{C}$
4. Temperature Stability: $\pm 2.5\text{ppm}$
5. Frequency Stability:
 - vs Supply Voltage: $\pm 0.3\text{ppm}$ Maximum
 - vs Aging: $\pm 1.0\text{ppm}/\text{year}$ Maximum
6. Supply Voltage: $+5.0\text{Vdc} \pm 5\%$
7. Supply Current: 2.0mA Maximum
8. Frequency vs Load: $\pm 0.3\text{ppm}$ (10K//10pF) $\pm 10\%$
9. Output Waveform: Clipped Sinewave, 0.8Vpk-pk Typical
10. Test Load: 10K Ohms//10pF
11. Storage Temperature Range: -40°C to $+85^\circ\text{C}$
12. Frequency Adjustment: $\pm 8.0\text{ppm} \sim \pm 14.0\text{ppm}$
13. Control Voltage Range: $+2.5\text{V} \pm 2.0\text{V}$ (+5.0V Supply)
14. Phase Noise Offset:
 - 100.0Hz: 95.0dbc Minimum
 - 1.0KHz: 120.0dbc Minimum
 - 10.0KHz: 130.0dbc Minimum
 - 100.0KHz: 130.0dbc Minimum

Notes:

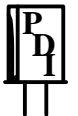
Frequency compensation over temperature must be done using analog circuitry. No digital compensation can be used.

REV.	DATE	PAGE	DESCRIPTION	ECN	Originator	Date	Engineering	Date	
					D.B.	12/7/06	M.B.	12/7/06	
					TITLE SMD Temperature Controlled Oscillator		FKA	17499	
					PART NUMBER SM3210000XWMNXA				
B	12/7/06	1	Added Note for Frequency Compensation	EO748	DATE	12/7/06	SCALE	ECN	REV.
A	2/23/04	1	Adding Phase Noise Spec.	EO309	SIZE	A	N.T.S.	EO748	B
					CAGE	0S4G1			Page 1 of 2



Precision Devices Inc.

8840 N. Greenview Dr.
Middleton WI 53562
608-831-4445
1-800-274-XTAL



Manufacturer of Quartz Crystal Products

DECIMAL XX=±.020 XXX=±.008	DWG FILE 17499	PART NUMBER SM321000XWMNXA	
METRIC XX=±.50 XXX=±.20	SCALE N.T.S.	FREQUENCY 10.000MHz	DRAWN BY D. Baumgarten
ANGULAR XX=±2°	REV. LEVEL B	ECN NO. EO748	DATE 12/7/06
		CAGE CODE 0S4G1	Page 2 of 2