

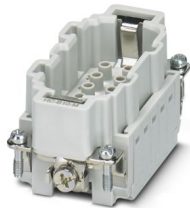
HC-B 10-I-CT-M - Contact insert



1648212

<https://www.phoenixcontact.com/us/products/1648212>

Please be informed that the data shown in this PDF document is generated from our online catalog. Please find the complete data in the user documentation. Our general terms of use for downloads are valid.



Contact insert, number of positions: 10+PE, size: B10, number of connections per position: 1, Pin, Crimp connection, 500 V, 16 A, 0.5 mm² ... 4 mm², application: Power

Your advantages

- For fast coding with plastic profile

Commercial data

Item number	1648212
Packing unit	1 pc
Minimum order quantity	1 pc
Sales key	BF61
Product key	BF7ABC
Catalog page	Page 543 (C-2-2019)
GTIN	4046356092340
Weight per piece (including packing)	43.8 g
Weight per piece (excluding packing)	43.8 g
Customs tariff number	85366990
Country of origin	CN

HC-B 10-I-CT-M - Contact insert



1648212

<https://www.phoenixcontact.com/us/products/1648212>

Technical data

Notes

General	For HEAVYCON ADVANCE and HEAVYCON housing of B10 type, crimp contacts CK 2,5-ED (crimp contacts not included in the scope of supply).
General	Connectors may be operated only when there is no load/voltage.

Mounting

Assembly instructions	To ensure correct use, installation in housing with IP54 protection or better is required Remove the crimp contact using a screwdriver. The opening for the screwdriver is next to the opening where the conductor is inserted.
-----------------------	--

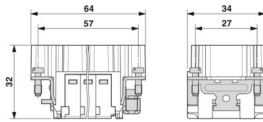
Product properties

Product type	Contact insert with a fixed no. of positions
Series	HC-B
Application	Power
Type	B10
Number of positions	10
Connection profile	10+PE
Contact numbering	1 - 10
Number of connections per position	1
Contact material type	turned

Insulation characteristics

Overvoltage category	III
Degree of pollution	3

Dimensions

Dimensional drawing	
Width	34 mm
Height	32 mm
Length	64 mm
Drill hole distance, horizontal	57 mm

Mechanical characteristics

Contact diameter	2.5 mm
------------------	--------

Connection data

HC-B 10-I-CT-M - Contact insert



1648212

<https://www.phoenixcontact.com/us/products/1648212>

Connection technology

Connection technology	Crimp connection
Number of connections per position	1
Connection in acc. with standard	IEC / EN

Conductor connection

Conductor cross section	0.5 mm ² ... 4 mm ²
Connection cross section AWG	20 ... 12
Tightening torque	0.8 Nm ... 1.2 Nm (PE connection) 0.5 Nm ... 0.8 Nm (Mounting screws for mounting in the HEAVYCON housing)
Stripping length of the individual wire	7.5 mm

Electrical properties

Rated voltage (III/3)	500 V
Rated surge voltage	6 kV
Rated current	16 A
SCCR	5 kA (UL 2237)

Mechanical properties

Mechanical data

Insertion/withdrawal cycles	≥ 500
-----------------------------	-------

Material specifications

Flammability rating according to UL 94	V0
Contact material	Copper alloy
Contact surface material	Ag (alternatively Au)
Contact carrier material	PC
Standards/regulations	PC: Fire protection in rail vehicles - requirement sets R22, R23, and R24 acc. to DIN EN 45545-2 (Risk level HL1 - HL3)

Environmental and real-life conditions

Ambient conditions

Degree of protection	IP20
Ambient temperature (operation)	-40 °C ... 125 °C (including heating up of contacts)

Standards and regulations

Constructional and testing regulations	DIN EN 61984
	DIN EN 60664
	IEC 60352
Tests	DIN EN 61984
	DIN EN 60664
	IEC 60352

Testing

HC-B 10-I-CT-M - Contact insert



1648212

<https://www.phoenixcontact.com/us/products/1648212>

Standards/regulations

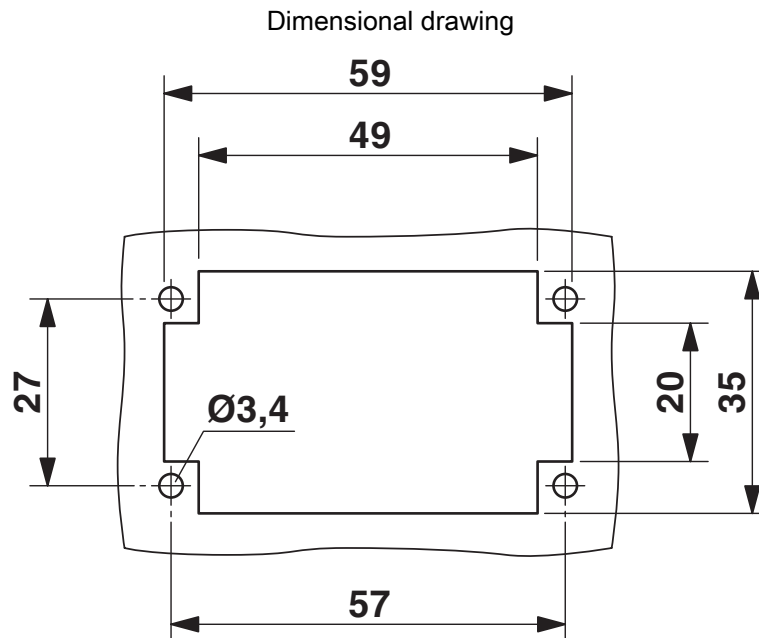
PC: Fire protection in rail vehicles - requirement sets R22, R23, and R24 acc. to DIN EN 45545-2 (Risk level HL1 - HL3)

HC-B 10-I-CT-M - Contact insert

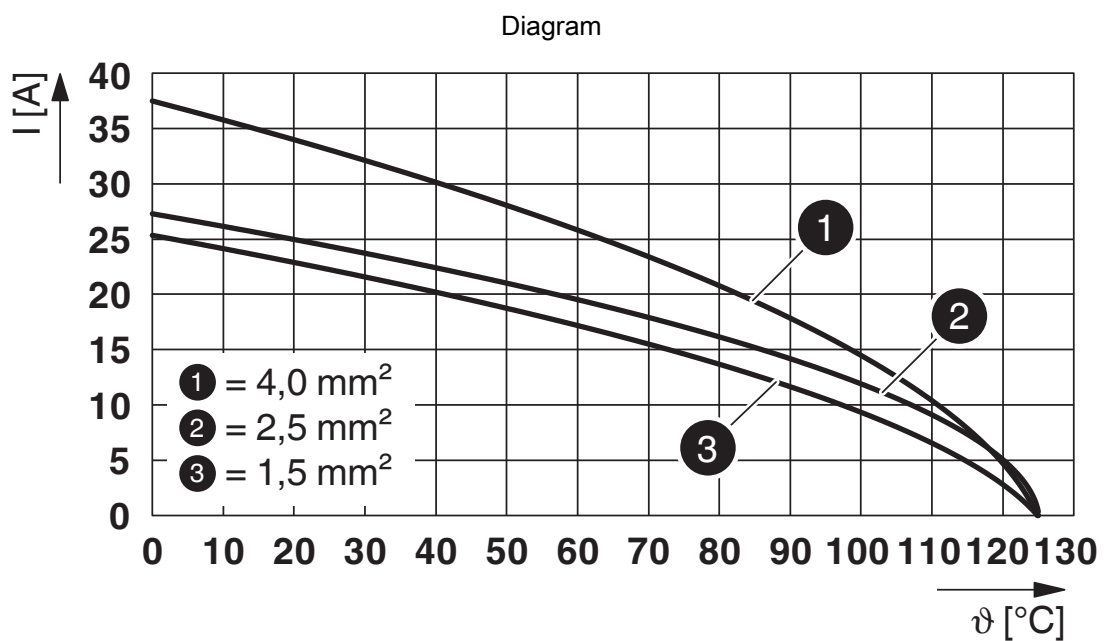
1648212

<https://www.phoenixcontact.com/us/products/1648212>

Drawings



Mounting cutout when used without housing



Derating diagram

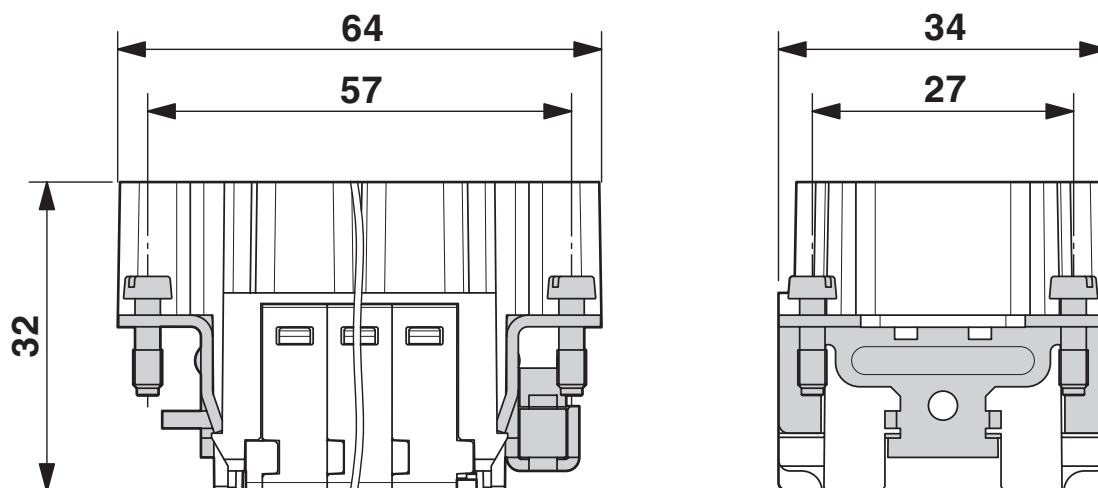
HC-B 10-I-CT-M - Contact insert



1648212

<https://www.phoenixcontact.com/us/products/1648212>

Dimensional drawing



Male insert

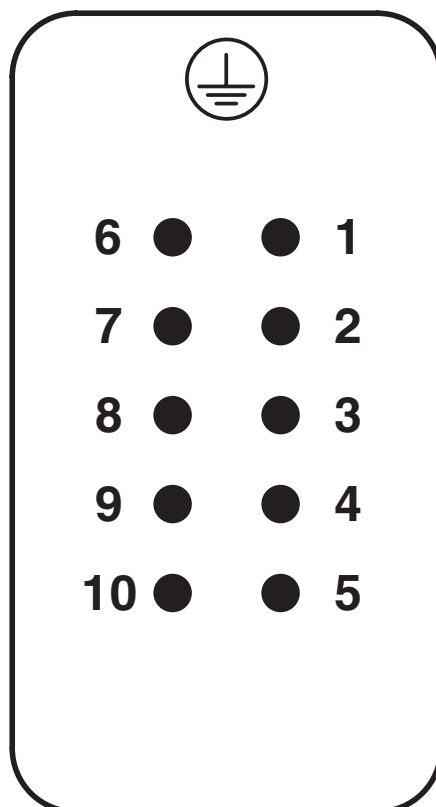
HC-B 10-I-CT-M - Contact insert

1648212

<https://www.phoenixcontact.com/us/products/1648212>



Schematic diagram



Connector pin assignment, connection side

HC-B 10-I-CT-M - Contact insert



1648212

<https://www.phoenixcontact.com/us/products/1648212>

Approvals

To download certificates, visit the product detail page: <https://www.phoenixcontact.com/us/products/1648212>

DNV

Approval ID: TAE000037S



CSA

Approval ID: 013631_6233_01

	Nominal voltage U_N	Nominal current I_N	Cross section AWG	Cross section mm^2
	600 V	20 A	20 - 12	-



EAC

Approval ID: RU C-DE.BL08.B.00511



cULus Recognized

Approval ID: E468743

	Nominal voltage U_N	Nominal current I_N	Cross section AWG	Cross section mm^2
	600 V	13 A	-	-



cULus Recognized

Approval ID: E468743

	Nominal voltage U_N	Nominal current I_N	Cross section AWG	Cross section mm^2
	600 V	14 A	-	-

HC-B 10-I-CT-M - Contact insert



1648212

<https://www.phoenixcontact.com/us/products/1648212>

Classifications

ECLASS

ECLASS-11.0	27440205
ECLASS-12.0	27440205
ECLASS-13.0	27440205

ETIM

ETIM 9.0	EC000438
----------	----------

UNSPSC

UNSPSC 21.0	39121500
-------------	----------

HC-B 10-I-CT-M - Contact insert



1648212

<https://www.phoenixcontact.com/us/products/1648212>

Environmental product compliance

China RoHS

Environment friendly use period (EFUP)	EFUP-E
	No hazardous substances above the limits

EU REACH SVHC

REACH candidate substance (CAS No.)	No substance above 0.1 wt%
-------------------------------------	----------------------------

HC-B 10-I-CT-M - Contact insert

1648212

<https://www.phoenixcontact.com/us/products/1648212>

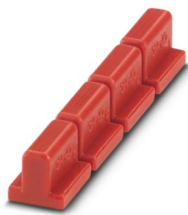


Accessories

CP-HC - Coding profile

1686478

<https://www.phoenixcontact.com/us/products/1686478>



Coding profile, 4 coding profiles per strip, for insertion in coding keyways

HC-CB - Coding bolt

1772722

<https://www.phoenixcontact.com/us/products/1772722>



Coding pin, prevents mismatching of up to six connectors with an identical number of positions

HC-B 10-I-CT-M - Contact insert

1648212

<https://www.phoenixcontact.com/us/products/1648212>



HC-CST - Coding element

1676857

<https://www.phoenixcontact.com/us/products/1676857>



Coding peg for coding up to 16 connectors

HC-CBU - Coding element

1676860

<https://www.phoenixcontact.com/us/products/1676860>



Coding socket for coding up to 16 connectors

HC-B 10-I-CT-M - Contact insert

1648212

<https://www.phoenixcontact.com/us/products/1648212>



HC-B-PE-PT - Adapter

1054672

<https://www.phoenixcontact.com/us/products/1054672>



PE adapter with PT connection, for 1 PE connection, for HC-B / HC-BB / HC-DD / HC-D40 / HC-D64 contact inserts

HC-B-2PE-PT - PE multiplier

1054675

<https://www.phoenixcontact.com/us/products/1054675>



PE adapter with PT connection, for 2 PE connections, for HC-B / HC-BB / HC-DD / HC-D40 / HC-D64 contact inserts

HC-B 10-I-CT-M - Contact insert

1648212

<https://www.phoenixcontact.com/us/products/1648212>



HC-B-3PE - PE multiplier

1644326

<https://www.phoenixcontact.com/us/products/1644326>



PE multiplier, for 3 PE connections, for HC-B / HC-BB / HC-DD / HC-D40 / HC-D64 contact inserts

HC-B-PES - Screw

1604997

<https://www.phoenixcontact.com/us/products/1604997>



PE screw, for contact inserts HC-B / HC-BB / HC-DD / HC-D40 / HC-D64

HC-B 10-I-CT-M - Contact insert

1648212

<https://www.phoenixcontact.com/us/products/1648212>



HC-B-ZG - Strain relief clamp

1685327

<https://www.phoenixcontact.com/us/products/1685327>



Strain relief clamps contact inserts of series: B-, BB-, D 40, D 64, DD and HV, straight cable exit

HC-B-ZS - Strain relief clamp

1685330

<https://www.phoenixcontact.com/us/products/1685330>



Strain relief clamps contact inserts of series: B-, BB-, D 40, D 64, DD and HV, lateral cable exit

HC-B 10-I-CT-M - Contact insert

1648212

<https://www.phoenixcontact.com/us/products/1648212>



HC-CIF-B10-HFWL-PL - DIN rail mounting frame

1424335

<https://www.phoenixcontact.com/us/products/1424335>



DIN rail mounting frame, design: B10, for contact inserts, Top frame

HC-B 10-ANDOCK - Docking frame

1586125

<https://www.phoenixcontact.com/us/products/1586125>



Docking frame for racks, for contact inserts of B10 type, with four M5 flat headed screws, rack balance x/y axis ± 1.5 mm

HC-B 10-I-CT-M - Contact insert

1648212

<https://www.phoenixcontact.com/us/products/1648212>



HC-CIF-B06-24-BFAFL-PL - DIN rail mounting frame

1424338

<https://www.phoenixcontact.com/us/products/1424338>



DIN rail mounting frame, design: B6 - B24, for contact inserts, Base frame

HC-B24/10-ADP-SS - Adapter plate

1034213

<https://www.phoenixcontact.com/us/products/1034213>



Adapter plate, design: B24 to B10

HC-B 10-I-CT-M - Contact insert

1648212

<https://www.phoenixcontact.com/us/products/1648212>



CK2,5-ED-0,50ST AG - Crimp contact

1663572

<https://www.phoenixcontact.com/us/products/1663572>



Crimp contact, contact diameter: 2.5 mm, turned, Pin, contact material: Copper alloy, contact surface: silver-plated, connection cross section: 0.5 mm² ... 0.5 mm², AWG 20

CK2,5-ED-0,75ST AG - Crimp contact

1663585

<https://www.phoenixcontact.com/us/products/1663585>



Crimp contact, contact diameter: 2.5 mm, turned, Pin, contact material: Copper alloy, contact surface: silver-plated, connection cross section: 0.75 mm² ... 0.75 mm², AWG 18

HC-B 10-I-CT-M - Contact insert

1648212

<https://www.phoenixcontact.com/us/products/1648212>



CK2,5-ED-1,00ST AG - Crimp contact

1663598

<https://www.phoenixcontact.com/us/products/1663598>



Crimp contact, contact diameter: 2.5 mm, turned, Pin, contact material: Copper alloy, contact surface: silver-plated, connection cross section: 0.75 mm² ... 1 mm², AWG 18

CK2,5-ED-1,50ST AG - Crimp contact

1663608

<https://www.phoenixcontact.com/us/products/1663608>



Crimp contact, contact diameter: 2.5 mm, turned, Pin, contact material: Copper alloy, contact surface: silver-plated, connection cross section: 1.5 mm² ... 1.5 mm², AWG 16

HC-B 10-I-CT-M - Contact insert

1648212

<https://www.phoenixcontact.com/us/products/1648212>



CK2,5-ED-2,50ST AG - Crimp contact

1663611

<https://www.phoenixcontact.com/us/products/1663611>



Crimp contact, contact diameter: 2.5 mm, turned, Pin, contact material: Copper alloy, contact surface: silver-plated, connection cross section: 2.5 mm² ... 2.5 mm², AWG 14

CK2,5-ED-3,00ST AG - Crimp contact

1663624

<https://www.phoenixcontact.com/us/products/1663624>



Crimp contact, contact diameter: 2.5 mm, turned, Pin, contact material: Copper alloy, contact surface: silver-plated, connection cross section: 3 mm² ... 3 mm², AWG 12

HC-B 10-I-CT-M - Contact insert

1648212

<https://www.phoenixcontact.com/us/products/1648212>



CK2,5-ED-4,00ST AG - Crimp contact

1663637

<https://www.phoenixcontact.com/us/products/1663637>



Crimp contact, contact diameter: 2.5 mm, turned, Pin, contact material: Copper alloy, contact surface: silver-plated, connection cross section: 4 mm² ... 4 mm², AWG 12

CK2,5-ED-0,50M AG - Crimp contact

1273667

<https://www.phoenixcontact.com/us/products/1273667>



Crimp contact, contact diameter: 2.5 mm, turned, Pin, contact material: Copper alloy, lead-free, contact surface: silver-plated, connection cross section: 0.5 mm² ... 0.5 mm², AWG 20

HC-B 10-I-CT-M - Contact insert

1648212

<https://www.phoenixcontact.com/us/products/1648212>



CK2,5-ED-0,75M AG - Crimp contact

1273666

<https://www.phoenixcontact.com/us/products/1273666>



Crimp contact, contact diameter: 2.5 mm, turned, Pin, contact material: Copper alloy, lead-free, contact surface: silver-plated, connection cross section: 0.75 mm² ... 0.75 mm², AWG 18

CK2,5-ED-1,00M AG - Crimp contact

1273665

<https://www.phoenixcontact.com/us/products/1273665>



Crimp contact, contact diameter: 2.5 mm, turned, Pin, contact material: Copper alloy, lead-free, contact surface: silver-plated, connection cross section: 1 mm² ... 1 mm², AWG 18

HC-B 10-I-CT-M - Contact insert

1648212

<https://www.phoenixcontact.com/us/products/1648212>



CK2,5-ED-1,50M AG - Crimp contact

1273664

<https://www.phoenixcontact.com/us/products/1273664>



Crimp contact, contact diameter: 2.5 mm, turned, Pin, contact material: Copper alloy, lead-free, contact surface: silver-plated, connection cross section: 1.5 mm² ... 1.5 mm², AWG 16

CK2,5-ED-2,50M AG - Crimp contact

1273663

<https://www.phoenixcontact.com/us/products/1273663>



Crimp contact, contact diameter: 2.5 mm, turned, Pin, contact material: Copper alloy, lead-free, contact surface: silver-plated, connection cross section: 2.5 mm² ... 2.5 mm², AWG 14

HC-B 10-I-CT-M - Contact insert

1648212

<https://www.phoenixcontact.com/us/products/1648212>



CK2,5-ED-3,00M AG - Crimp contact

1273648

<https://www.phoenixcontact.com/us/products/1273648>



Crimp contact, contact diameter: 2.5 mm, turned, Pin, contact material: Copper alloy, lead-free, contact surface: silver-plated, connection cross section: 3 mm² ... 3 mm², AWG 12

CK2,5-ED-4,00M AG - Crimp contact

1273620

<https://www.phoenixcontact.com/us/products/1273620>



Crimp contact, contact diameter: 2.5 mm, turned, Pin, contact material: Copper alloy, lead-free, contact surface: silver-plated, connection cross section: 4 mm² ... 4 mm², AWG 12

HC-B 10-I-CT-M - Contact insert

1648212

<https://www.phoenixcontact.com/us/products/1648212>



CK2,5-ED-0,37ST AU - Crimp contact

1585663

<https://www.phoenixcontact.com/us/products/1585663>



Crimp contact, contact diameter: 2.5 mm, turned, Pin, contact material: Copper alloy, contact surface: gold-plated, connection cross section: 0.14 mm² ... 0.37 mm², AWG 22 ... 26

CK2,5-ED-0,50ST AU - Crimp contact

1674804

<https://www.phoenixcontact.com/us/products/1674804>



Crimp contact, contact diameter: 2.5 mm, turned, Pin, contact material: Copper alloy, contact surface: gold-plated, connection cross section: 0.5 mm² ... 0.5 mm², AWG 20

HC-B 10-I-CT-M - Contact insert

1648212

<https://www.phoenixcontact.com/us/products/1648212>



CK2,5-ED-1,00ST AU - Crimp contact

1674781

<https://www.phoenixcontact.com/us/products/1674781>



Crimp contact, contact diameter: 2.5 mm, turned, Pin, contact material: Copper alloy, contact surface: gold-plated, connection cross section: 0.75 mm² ... 1 mm², AWG 18

CK2,5-ED-1,50ST AU - Crimp contact

1674778

<https://www.phoenixcontact.com/us/products/1674778>



Crimp contact, contact diameter: 2.5 mm, turned, Pin, contact material: Copper alloy, contact surface: gold-plated, connection cross section: 1.5 mm² ... 1.5 mm², AWG 16

HC-B 10-I-CT-M - Contact insert

1648212

<https://www.phoenixcontact.com/us/products/1648212>



CK2,5-ED-2,50ST AU - Crimp contact

1674817

<https://www.phoenixcontact.com/us/products/1674817>



Crimp contact, contact diameter: 2.5 mm, turned, Pin, contact material: Copper alloy, contact surface: gold-plated, connection cross section: 2.5 mm² ... 2.5 mm², AWG 14

CK2,5-ED-4,00ST AU - Crimp contact

1674794

<https://www.phoenixcontact.com/us/products/1674794>



Crimp contact, contact diameter: 2.5 mm, turned, Pin, contact material: Copper alloy, contact surface: gold-plated, connection cross section: 4 mm² ... 4 mm², AWG 12

HC-B 10-I-CT-M - Contact insert

1648212

<https://www.phoenixcontact.com/us/products/1648212>



CK2,5-ED-0,37M AU - Crimp contact

1273603

<https://www.phoenixcontact.com/us/products/1273603>



Crimp contact, contact diameter: 2.5 mm, turned, Pin, contact material: Copper alloy, lead-free, contact surface: gold-plated, connection cross section: 0.14 mm² ... 0.37 mm², AWG 22 ... 26

CK2,5-ED-0,50M AU - Crimp contact

1273601

<https://www.phoenixcontact.com/us/products/1273601>



Crimp contact, contact diameter: 2.5 mm, turned, Pin, contact material: Copper alloy, lead-free, contact surface: gold-plated, connection cross section: 0.5 mm² ... 0.5 mm², AWG 20

HC-B 10-I-CT-M - Contact insert

1648212

<https://www.phoenixcontact.com/us/products/1648212>



CK2,5-ED-1,00M AU - Crimp contact

1273582

<https://www.phoenixcontact.com/us/products/1273582>



Crimp contact, contact diameter: 2.5 mm, turned, Pin, contact material: Copper alloy, lead-free, contact surface: gold-plated, connection cross section: 1 mm² ... 1 mm², AWG 18

CK2,5-ED-1,50M AU - Crimp contact

1273581

<https://www.phoenixcontact.com/us/products/1273581>



Crimp contact, contact diameter: 2.5 mm, turned, Pin, contact material: Copper alloy, lead-free, contact surface: gold-plated, connection cross section: 1.5 mm² ... 1.5 mm², AWG 16

HC-B 10-I-CT-M - Contact insert

1648212

<https://www.phoenixcontact.com/us/products/1648212>



CK2,5-ED-2,50M AU - Crimp contact

1273572

<https://www.phoenixcontact.com/us/products/1273572>



Crimp contact, contact diameter: 2.5 mm, turned, Pin, contact material: Copper alloy, lead-free, contact surface: gold-plated, connection cross section: 2.5 mm² ... 2.5 mm², AWG 14

CK2,5-ED-4,00M AU - Crimp contact

1273568

<https://www.phoenixcontact.com/us/products/1273568>



Crimp contact, contact diameter: 2.5 mm, turned, Pin, contact material: Copper alloy, lead-free, contact surface: gold-plated, connection cross section: 4 mm² ... 4 mm², AWG 12

HC-B 10-I-CT-M - Contact insert

1648212

<https://www.phoenixcontact.com/us/products/1648212>



HC-B 10-I-CT-F - Contact insert

1648225

<https://www.phoenixcontact.com/us/products/1648225>



Contact insert, number of positions: 10+PE, size: B10, number of connections per position: 1, Socket, Crimp connection, 500 V, 16 A, 0.5 mm² ... 4 mm², application: Power

UNIFOX MT-CK 1.6/2.5 - Assembly tool

1089092

<https://www.phoenixcontact.com/us/products/1089092>



Assembly tool, for CK 1.6... crimp contacts for small conductor cross sections

HC-B 10-I-CT-M - Contact insert

1648212

<https://www.phoenixcontact.com/us/products/1648212>



UNIFOX RT-CK 2.5 - Contact removal tool

1072067

<https://www.phoenixcontact.com/us/products/1072067>

Contact removal tool, for turned CK 2,5... contacts



Phoenix Contact 2024 © - all rights reserved

<https://www.phoenixcontact.com>

Phoenix Contact USA
586 Fulling Mill Road
Middletown, PA 17057, United States
(+717) 944-1300
info@phoenixcon.com