

4 mm dia. SAFETY SERIES

BANANA PLUGS

BDR-SR/BDR-PR BANANA PLUGS NFC 93440 standard

Compatible with all 4 mm dia. sockets

Connection can be made onto : – cable (max. 2.5 mm² cross section)
– 4 mm dia. banana

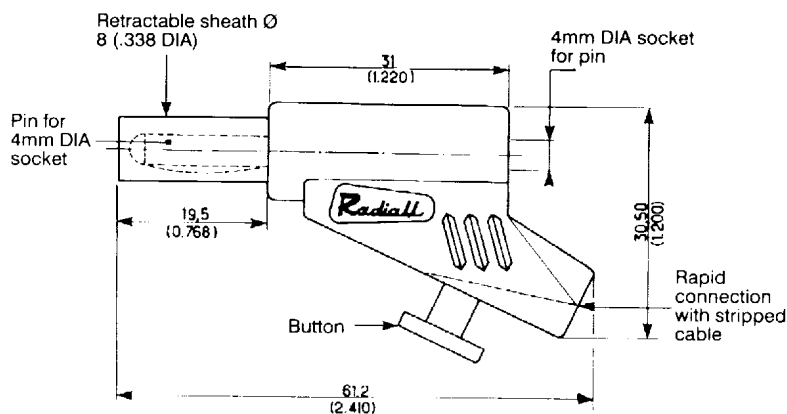
CHARACTERISTICS

| | |
|-----------------------------------|---------------------------------|
| – Current rating max | : 30 A (at 20°C) |
| – Dielectric withstanding voltage | : 2 500 V rms 50 Hz |
| – Operating voltage | : 750 V rms 50 Hz |
| – Insulation resistance | : $\geq 5\,000\ \text{M}\Omega$ |
| – Contact resistance | : $\leq 0,5\ \text{m}\Omega$ |
| – Mechanical endurance | : $\geq 10\,000$ matings |
| – Average insertion force | : 25 N |
| – Operating temperature | : - 40°C + 85°C |
| – Insulation | : thermoplastic |

► Packaging : 10 pieces of the same part number.

• BDR-SR BANANA PLUGS

| Part number | Standard |
|------------------------|------------------------------------|
| R 941 460 600 / Black | NFC 93440 – KT12R |
| R 941 461 600 / Red | |
| R 941 462 600 / Green | |
| R 941 463 600 / Blue | |
| R 941 464 600 / Yellow | |



• BDR-PR BANANA PLUGS

These plugs are fitted with a **NON THERMO-FUSIBLE retractable sheath in PTFE (withstands a 350°C ± 10°C temperature during 10 seconds without deformation).**

| Part number | Standard |
|------------------------|------------------------------------|
| R 941 480 600 / Black | NFC 93440 – KT12R |
| R 941 481 600 / Red | |
| R 941 482 600 / Green | DCN |
| R 941 483 600 / Blue | 5935 BA |
| R 941 484 600 / Yellow | |

