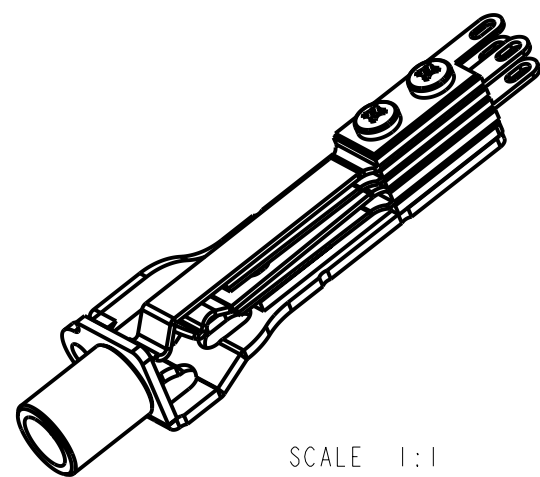
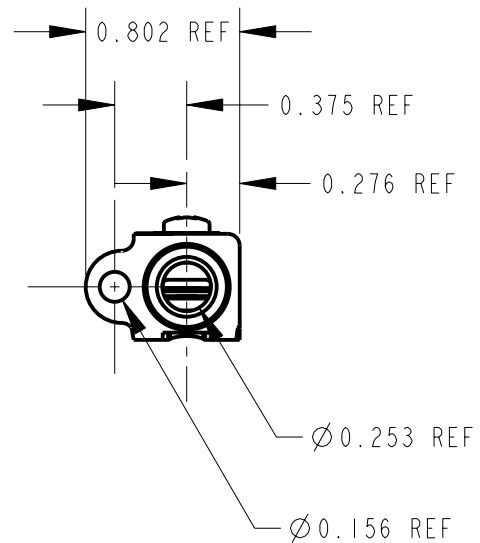
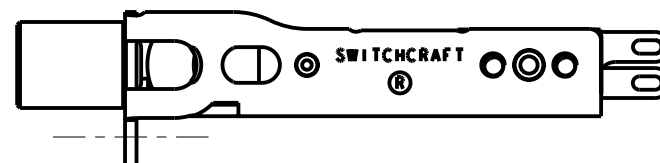
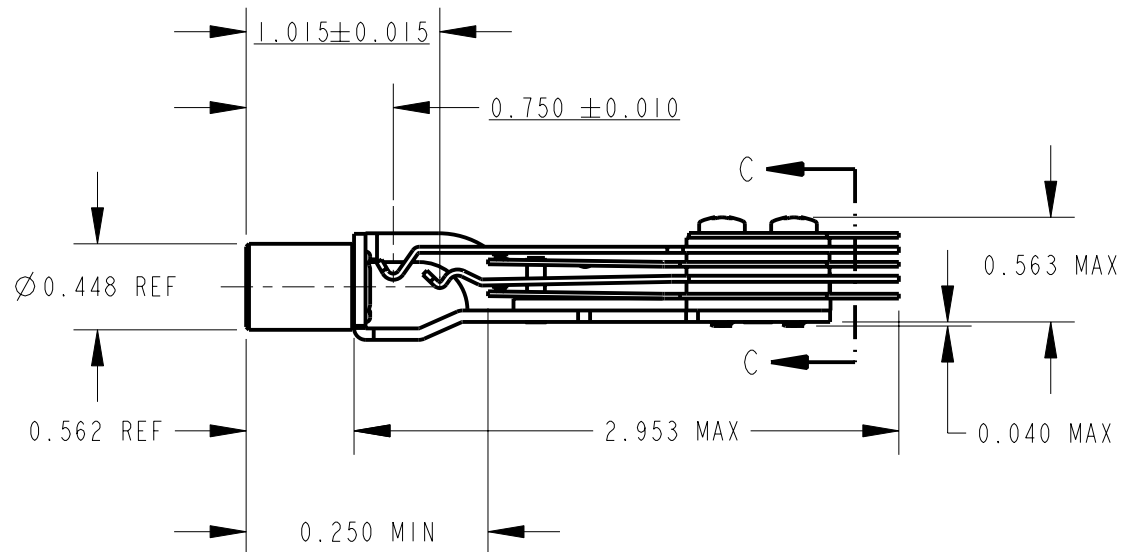
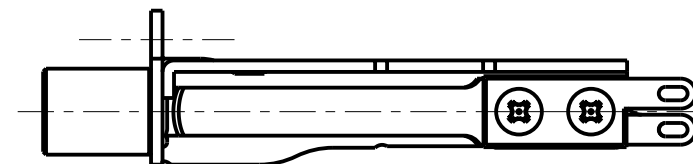
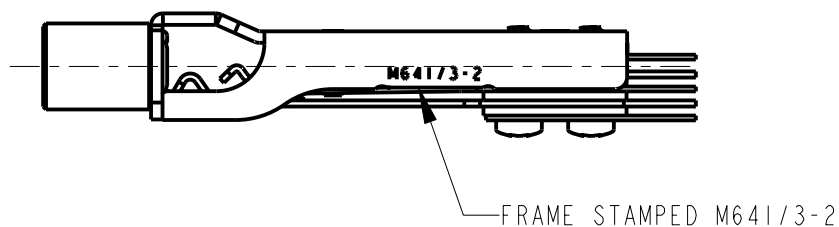


NOTES:

1. MATES WITH PJ-051 PLUG

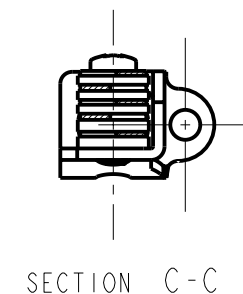


SCALE 1:1



MATERIALS:

- FRAME - STEEL IRIDESCENT IRIDITE FINISH
- BUSHING - BRASS, NICKEL PLATED
- SPRINGS - NICKEL SILVER, SPRING TEMPERED
- CONTACTS - WELDED CROSS BAR, PALLADIUM
- SPACERS - PHENOLIC, TYPE PBE-P
- LIFTER/SPACER - THERMOPLASTIC
- TERMINALS - HOT TIN DIPPED
- SCREWS - STEEL, IRIDESCENT IRIDITE FINISH



CUSTOMER DRAWING

					★ STAR SYMBOL DENOTES CRITICAL DIMENSION	THIS DRAWING DESCRIBES A DESIGN CONSIDERED PROPRIETARY IN NATURE, DEVELOPED AND MANUFACTURED BY SWITCHCRAFT INC. AND IS RELEASED ON A CONFIDENTIAL BASIS FOR IDENTIFICATION PURPOSES ONLY.				
					UNLESS OTHERWISE SPECIFIED	SIZE	WIDTH	MULT	LBS/M	TEMPER
					1. ALL DIMENSIONS IN INCHES - TWO PLACE DECIMALS ±0.01 - THREE PLACE DECIMALS ±0.005 - ANGLES ± - ALL DIA. CONCENTRIC WITHIN 0.005 T.I.R.	FINISH		MATERIAL		
					2. FEATURES ON THE SAME CENTERLINE MUST BE ALIGNED WITHIN ±0.002	SPEC No.		SPEC No.		
					3. REMOVE ALL BURRS	FIRST USED ON		SCALE		
						1:1		Switchcraft®		
REV	ECO NUMBER	DATE	BY	APVD	DATE DRAWN	BY	CHKD	APVD	SHEET OF	
					7-15-52	LD	LH 7-15-52	EB 9-14-99	PART No. REV	
REVISIONS					DO NOT SCALE DRAWING		TELEPHONE JACK		MT334B E	

Mouser Electronics

Authorized Distributor

Click to View Pricing, Inventory, Delivery & Lifecycle Information:

[Switchcraft:](#)

[MT334BX](#) [MT336CZ](#)