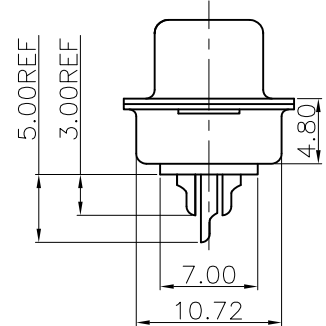


REMARK:
 1. CHARACTERISTICS:
 RATED VOLTAGE: 250V
 RATED CURRENT: 2.5AMP
 CONTACT RESISTANCE: 25mohms MAX. INITIAL,
 40mohms MAX. AFTER.
 INSULATION RESISTANCE: 5000Mohms MIN. at 500V DC
 DIELECTRIC STRENGTH: 750VRMS
 OPERATING TEMPERATURE RANGE: -55°C ~105°C
 INSERTION/EXTRACTION FORCE PER CONTACT: 5N Max. /0.2N Min.
 MATING/UNMATING CYCLES: 50MATINGS MIN FOR GOLD-FLASH
 2. MATERIAL:
 INSULATORS: THERMOPLASTIC G. F (UL94V-0) BLACK
 CONTACTS: COPPER ALLOY, GOLD (G/F) TOP OVER CONTACT
 AREA, 100u" Min MATTE TIN TOP OVER SOLDER AREA,
 50u" Min NICKEL UNDER PLATE.
 SHELL: CARBON STEEL, 100u" Min NICKEL TOP OVER,
 50u" Min COPPER UNDER PLATE.
 3. PART NUMBER DESCRIPTION:



10090770-S XX 4 A LF
 SERIES NO. []
 TYPE S: SOCKET (FEMALE)
 NUMBER OF CONTACTS: 15: 15-PIN, 26: 26-PIN, 44: 44-PIN
 LF: ROHS COMPLIANT
 FLANGE MOUNTING OPTION A: STANDARD HOLE
 CONTACT FINISH 4: GOLD FLASH

POS.	WIRE AWG
15	24~28
26	24~28
44	24~28

POS.	PART NO.	A	B	C	D	E
15	10090770-S154ALF	30.81	24.99	16.33	2.29	19.10
26	10090770-S264ALF	39.24	33.32	24.66	2.29	27.75
44	10090770-S444ALF	53.04	47.04	38.38	2.29	41.30

mat'l. code				surface		tolerance		projection		product family	
SEE NOTES				ISO 1302	ISO 406	ISO 1101	MM		D-SUB		
ltr	ecn no	dr	date	tolerances unless otherwise specified		MM		title		H/D D-SUB FEMALE SOLDER BUCKET	
D	ELX-I-20972	AB	2015/05/30	angles	.X ± 0.38	MM		scale 1:1		-	
-	-	-	-	linear	.XX ± 0.25	FCI		dwg no		sheet 1 of 1 size	
-	-	-	-	0° ± 2'	.XXX ± 0.10	FCI		10090770		A4	
-	-	-	-	dr	JASON HSU 12/10/09	FCI		type		PRODUCT_CUSTOMER Drawing	
-	-	-	-	engr	ALIAS BABU 2015/05/30	FCI		-		-	
-	-	-	-	chr	MITHUN PAUL 2015/05/30	FCI		-		-	
-	-	-	-	appd	BIJU K PAUL 2015/05/30	FCI		-		-	
sheet	revision	D	-	-	-	-	-	-	-	-	-
index	sheet	1	-	-	-	-	-	-	-	-	-

Mouser Electronics

Authorized Distributor

Click to View Pricing, Inventory, Delivery & Lifecycle Information:

[FCI / Amphenol:](#)

[10090770-S154ALF](#) [10090770-S156ALF](#) [10090770-S264ALF](#) [10090770-S266ALF](#) [10090770-S444ALF](#) [10090770-S446ALF](#) [10090770-S624ALF](#) [10090770-S626ALF](#) [10090770-S784ALF](#) [10090770-S786ALF](#)