

| | | | | | | | | | | |
|---------------|------------|-------------|----------------|------------|----------------|------------------------|--------------|---|-----------|----------|
| spec ref | - | dr | Tim Houtz | 2009/10/21 | projection | MM | size | A2 | scale | 4:1 |
| tolerance std | ASME Y14.5 | eng | Wei-Long Zhang | 2012/09/05 | chr | - | ecn no | ELX-DG-012741-1 | rel level | Released |
| surface | ✓ | appr | Pai-Ming Zheng | 2012/09/11 | product family | CARD EDGE | title | HPCE-STRADDLE MT (36P-24S) (RECEPTACLE) SPECIAL CASE | dwg no | 10107844 |
| ASME Y14.5 | linear | 0.X | ±0.30 | 0.XX | ±0.10 | 0.XXX | ±0.05 | angular | 0° | ±2° |
| | | www.fci.com | | cat. no. | - | Product - Customer Drw | sheet 1 of 6 | | | |

PDS: Rev :G

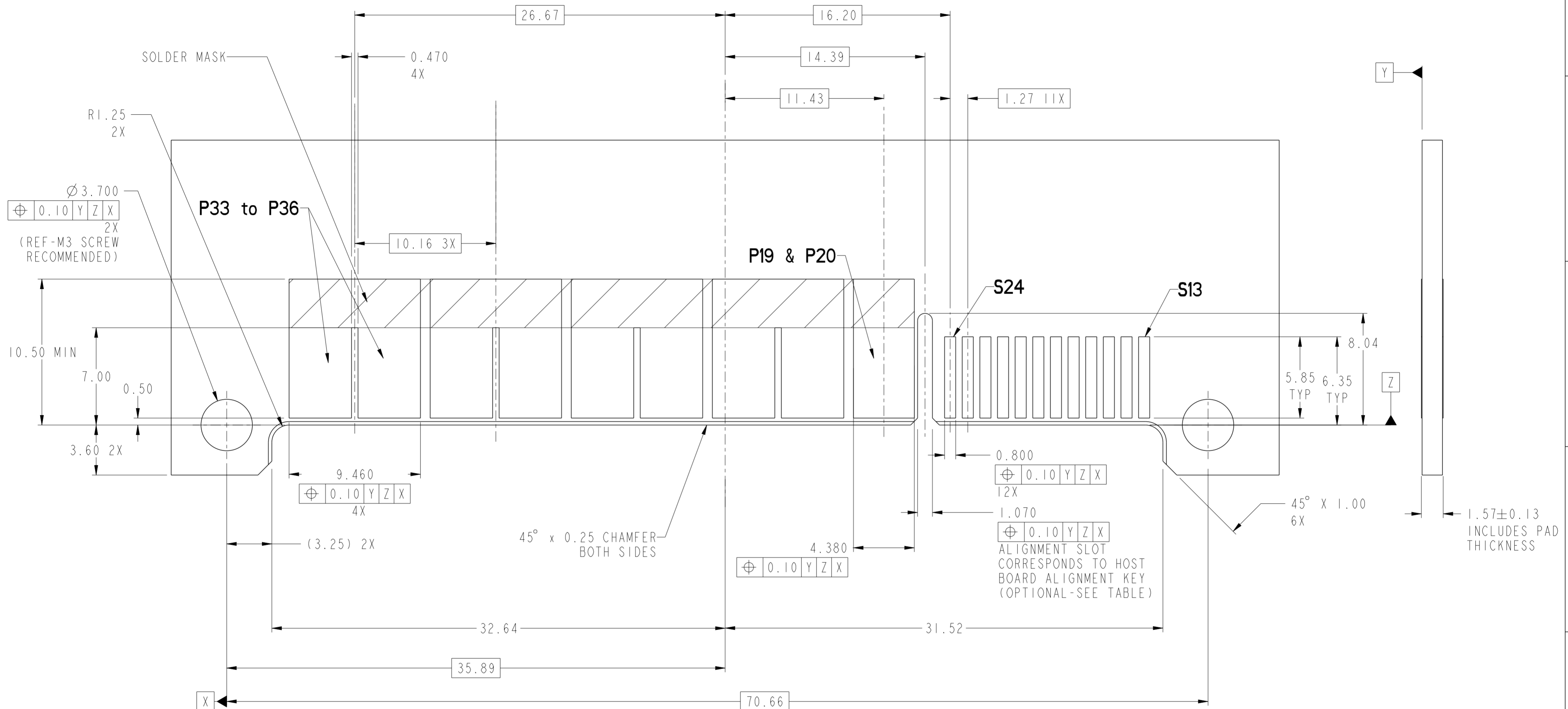
STATUS:Released

Printed: Sep 11, 2012

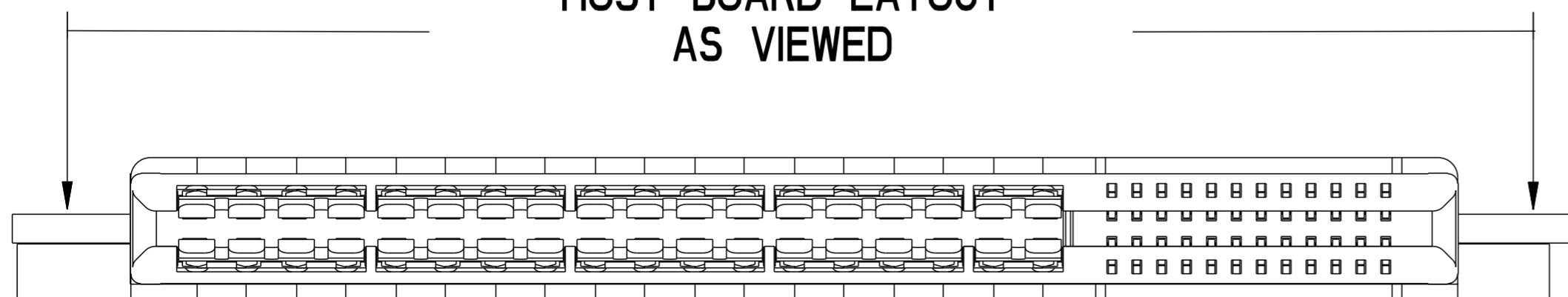


Copyright FCI.

NEW RECOMENDED HOST BOARD LAYOUT FOR IMPROVED SOLDER REFLOW PROCESS



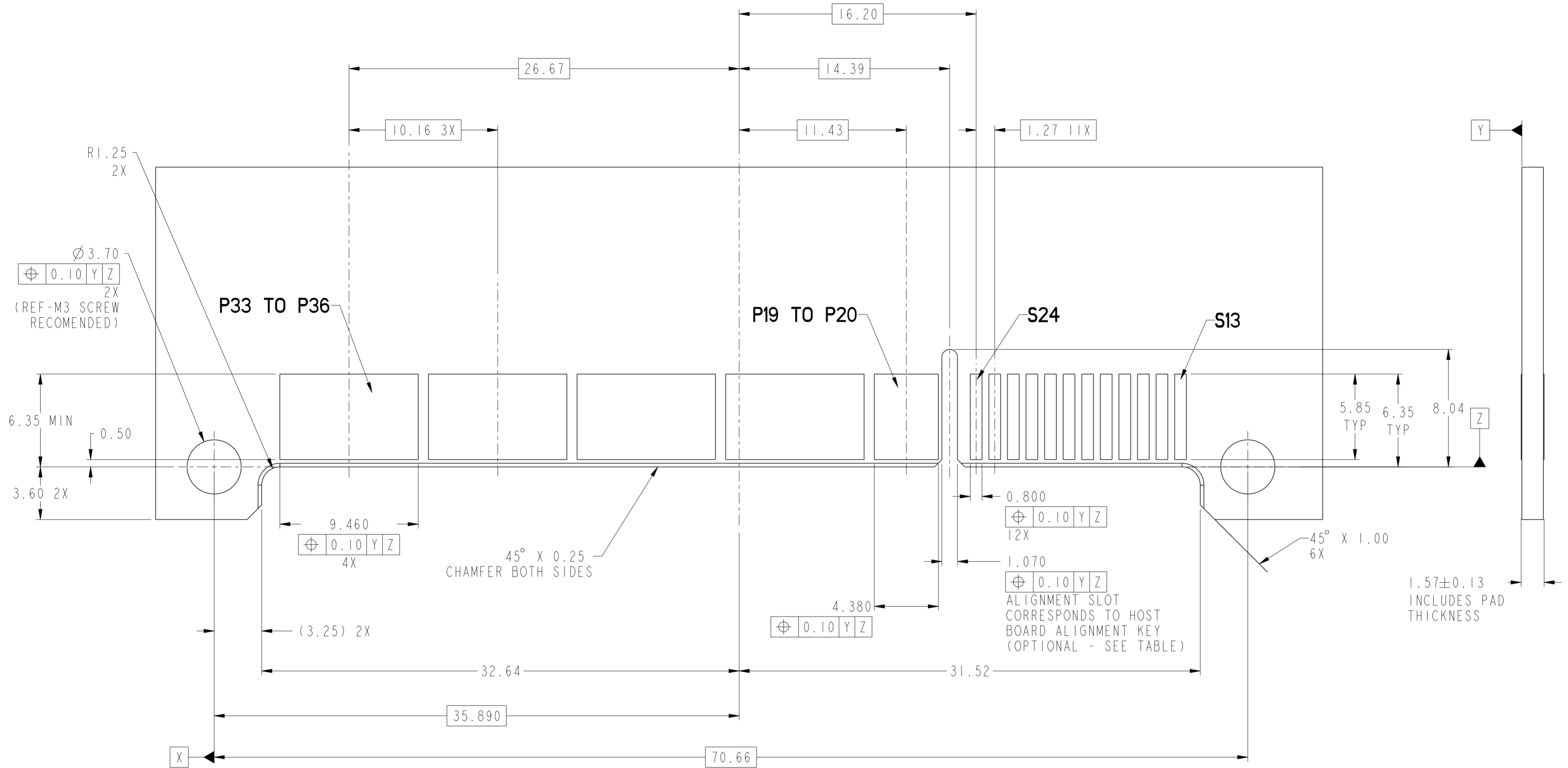
HOST BOARD LAYOUT AS VIEWED



SCALE 7:2

| | | | | | | | | |
|-------------|----------------|--|----------------|--------------------|------------------------|-----------------|-----------|----------|
| dr | Tim Houtz | 2009/10/21 | projection | MM | size | A2 | scale | 4:1 |
| eng | Wei-Long Zhang | 2012/09/05 | | | ecn no | ELX-DG-012741-1 | rel level | Released |
| chr | - | - | | | | | | |
| appr | Pei-Ming Zheng | 2012/09/11 | product family | CARD EDGE | rel level | Released | | |
| | | title HPCE-STRADDLE MT (36P-24S) (RECEPTACLE) SPECIAL CASE | | dwg no 10107844 | rev G | | | |
| www.fci.com | | cat. no. | - | | Product - Customer Drw | sheet 2 of 6 | | |

OLD RECOMENDED HOST BOARD LAYOUT



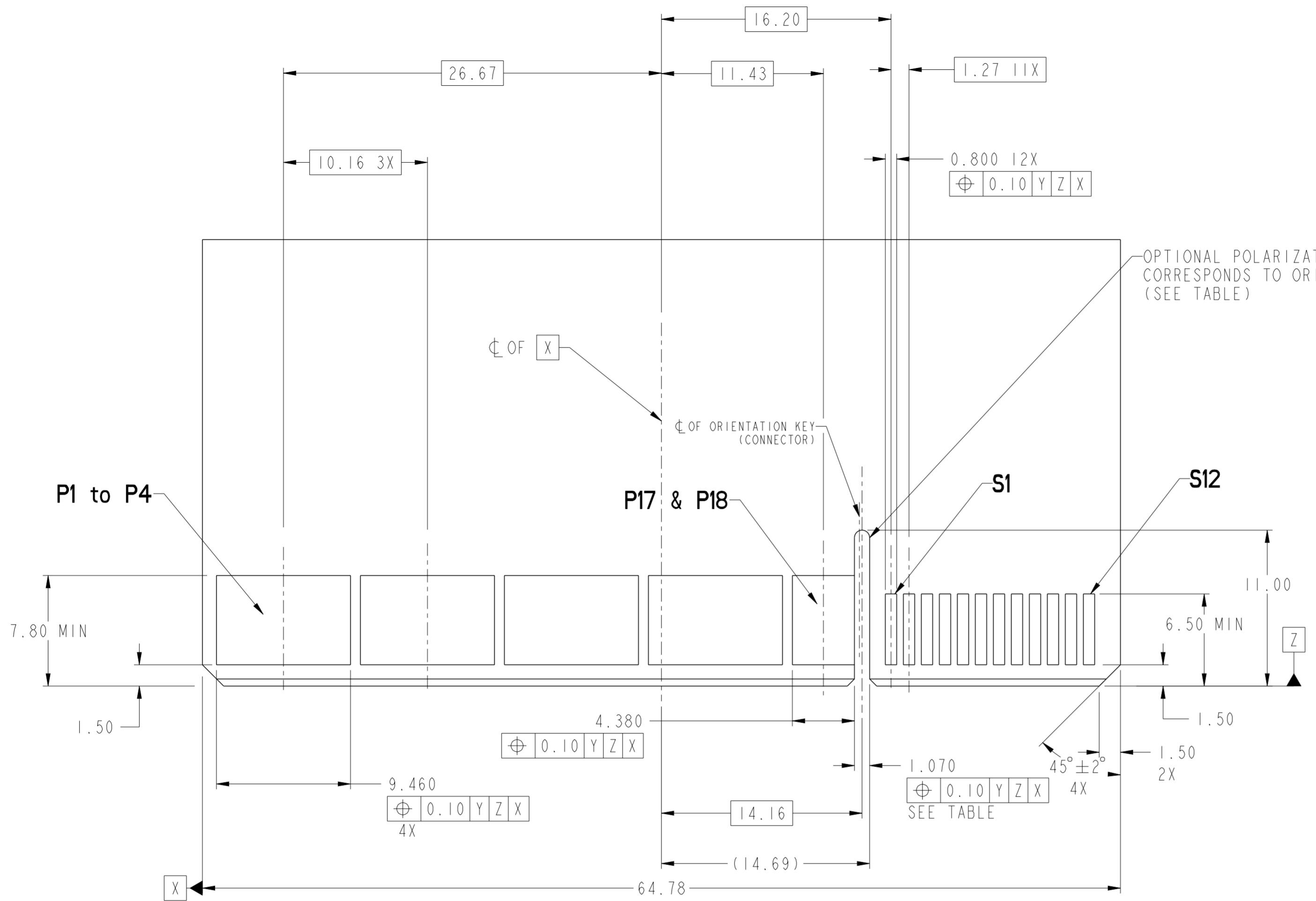
Copyright FCI. FCI

| | | | | | | | | |
|-------------|----------------|------------|----------------|----------------------------|------------------------|-----------------|-----------|----------|
| dr | Tim Houtz | 2009/10/21 | projection | MM | size | A2 | scale | 4:1 |
| eng | Wei-Long Zhang | 2012/09/05 | | MM | ecn no | ELX-DG-012741-1 | rel level | Released |
| chr | - | - | | | | | | |
| appr | Pai-Ming Zheng | 2012/09/11 | product family | CARD EDGE | | | | |
| | | | title | HPCE-STRADDLE MT (36P-24S) | | dwg no | 10107844 | |
| www.fci.com | | | cat. no. | - | Product - Customer Drw | sheet 3 of 6 | rev G | |

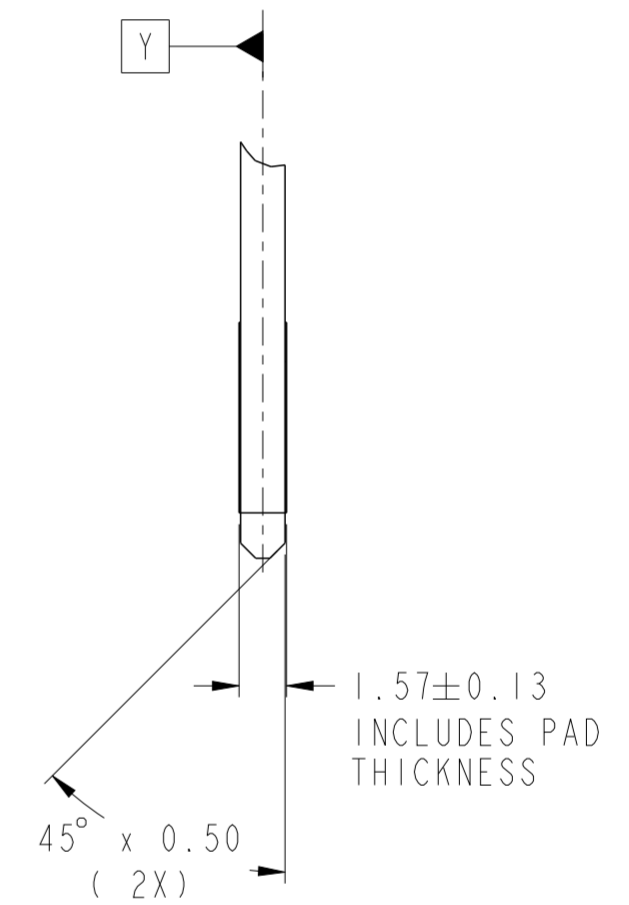
PDS: Rev :G

STATUS:Released

Printed: Sep 11, 2012



OPTIONAL POLARIZATION SLOT
CORRESPONDS TO ORIENTATION KEY OPTION
(SEE TABLE)



RECOMMENDED MATING BOARD FOOTPRINT - OPTION 1

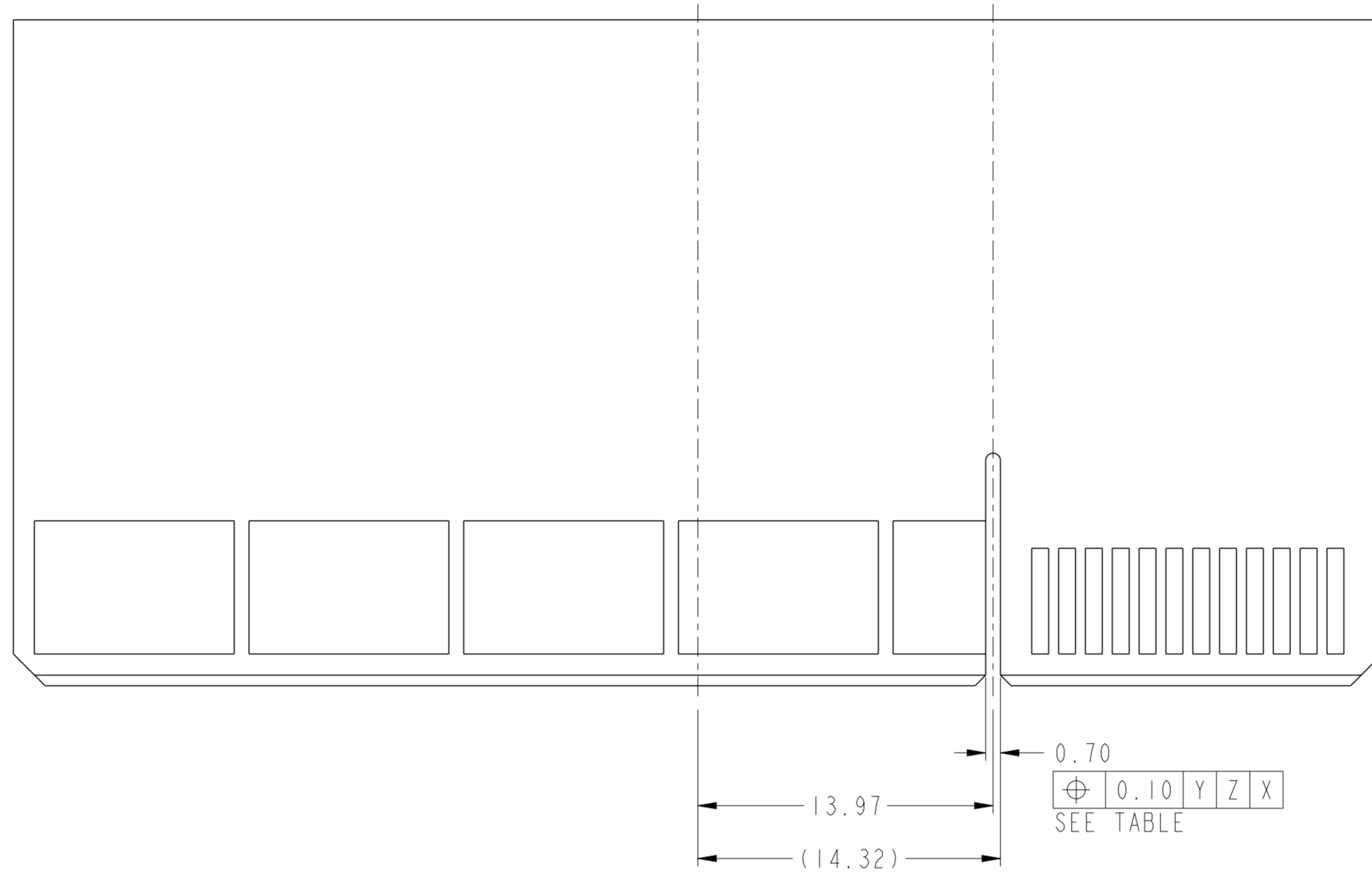
Copyright FCI.
FCI

| | | | | | | | | |
|-------------|----------------|------------|----------------|----------------------------|------------------------|-----------------|-----------|----------|
| dr | Tim Houtz | 2009/10/21 | projection | MM | size | A2 | scale | 4:1 |
| eng | Wei-Long Zhang | 2012/09/05 | | MM | ecn no | ELX-DG-012741-1 | rel level | Released |
| chr | - | - | | | | | | |
| appr | Pei-Ming Zheng | 2012/09/11 | product family | CARD EDGE | | | | |
| | | | title | HPCE-STRADDLE MT (36P-24S) | | dwg no | 10107844 | |
| www.fci.com | | | cat. no. | - | Product - Customer Drw | sheet | 4 of 6 | |

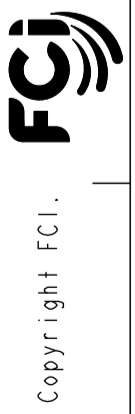
PDS: Rev :G

STATUS:Released

Printed: Sep 11, 2012

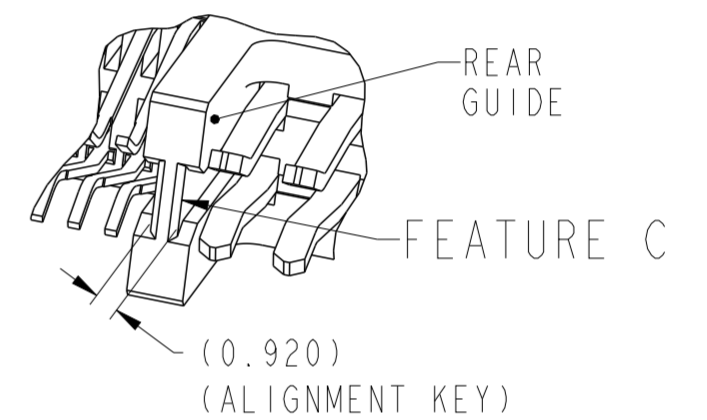
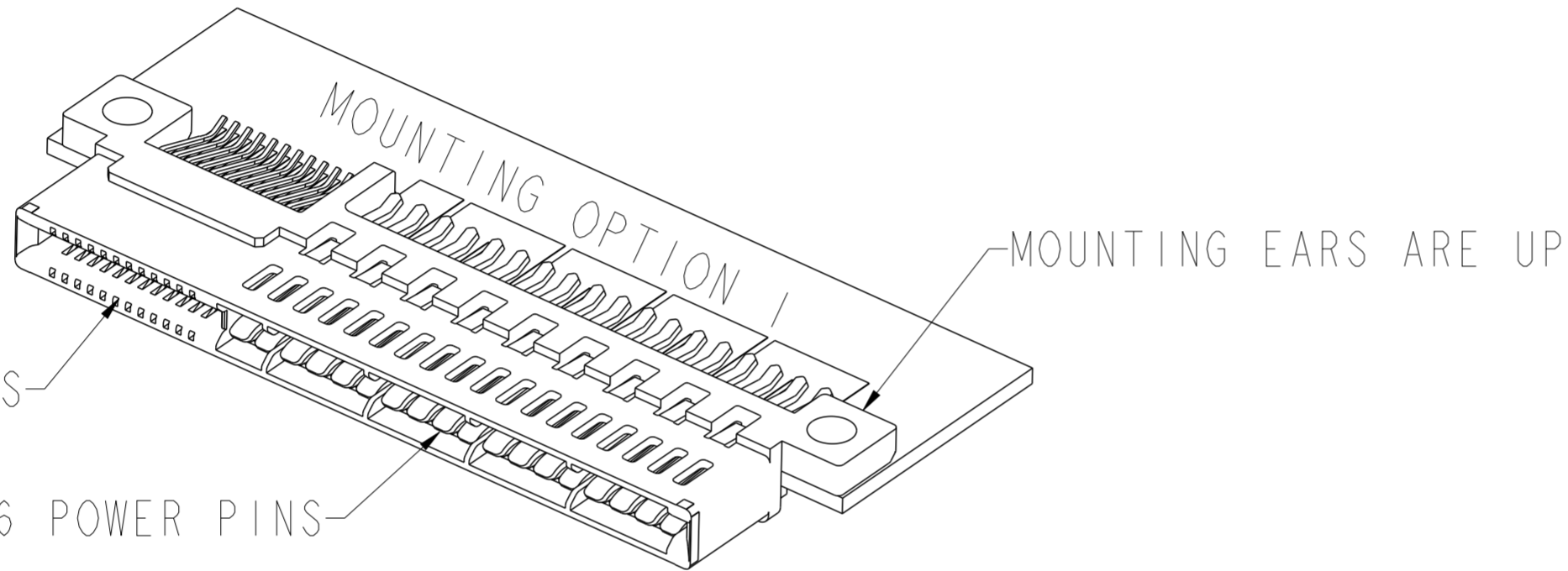
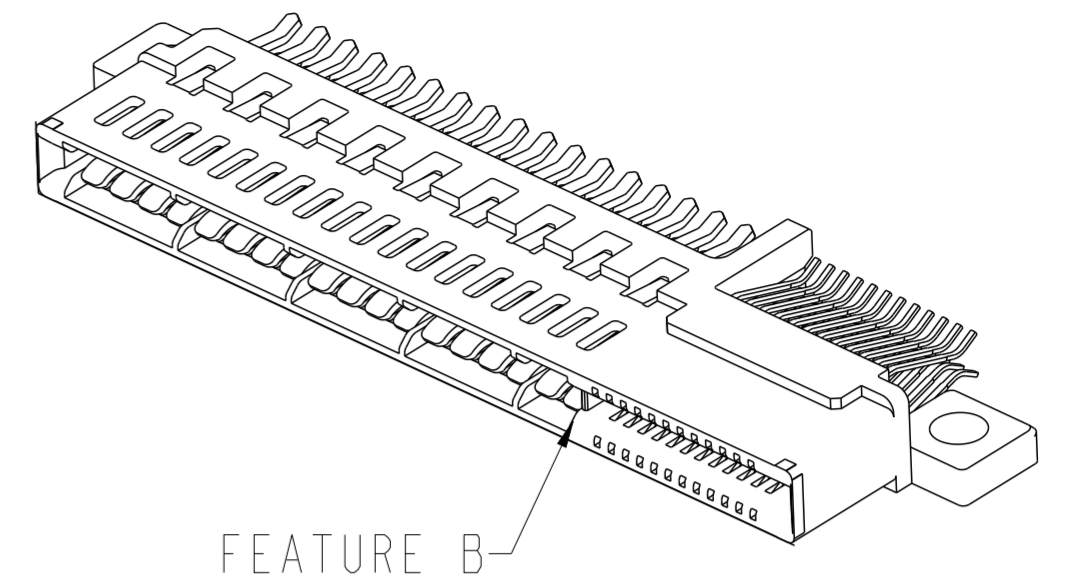
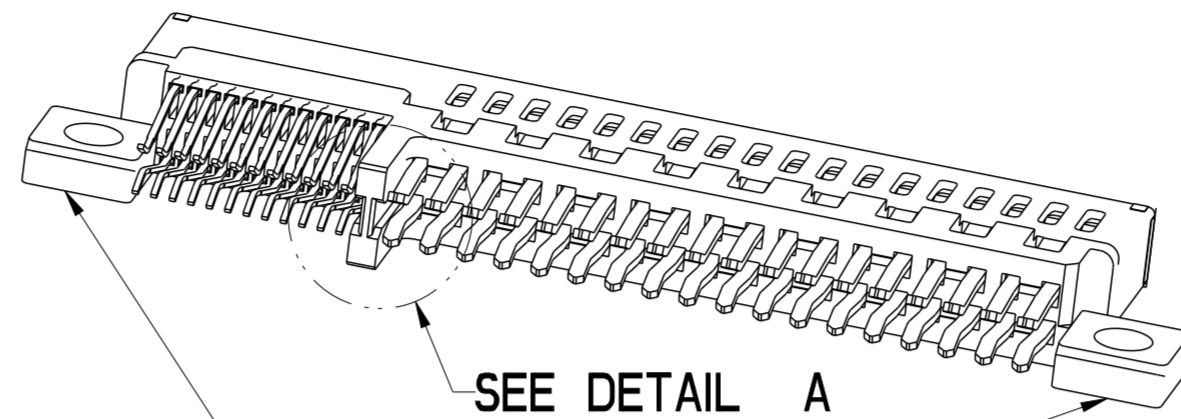


**RECOMMENDED MATING BOARD
 △ FOOTPRINT - OPTION 2**
 (ALL DIMENSIONS ARE SAME AS PAGE 4 EXCEPT ABOVE)

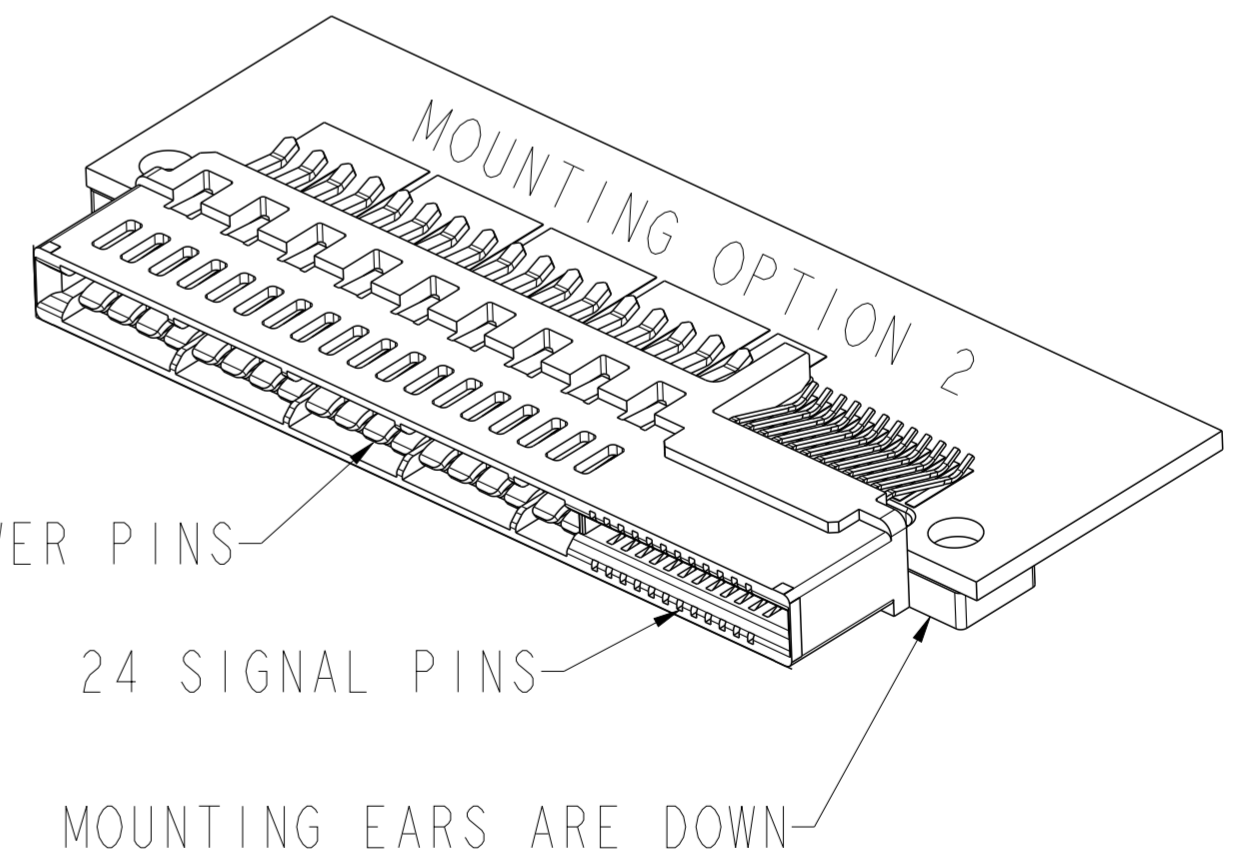


| | | | | | | | | |
|-------------|----------------|------------|------------------------|--------------|----------|----------------------------|-------|-----|
| dr | Tim Houtz | 2009/10/21 | projection | MM | size | A2 | scale | 4:1 |
| eng | Wei-Long Zhang | 2012/09/05 | | | ecn no | ELX-DG-012741-1 | | |
| chr | - | rel level | | | Released | | | |
| appr | Pai-Ming Zheng | 2012/09/11 | product family | - | cat. no. | HPCE-STRADDLE MT (36P-24S) | | |
| www.fci.com | | | div no | 10107844 | rev | G | | |
| | | | Product - Customer Drw | sheet 5 of 6 | | | | |

| PART NUMBER | FEATURE C HOST BOARD ALIGNMENT KEY (SEE NOTE 8) | FEATURE A MOUNTING EARS | FEATURE B FRONT POLARIZATION KEY |
|----------------|--|----------------------------|---|
| 10107844-001LF | NO | YES | YES |
| 10107844-002LF | NO | | NO |
| 10107844-003LF | YES | | NO |
| 10107844-004LF | YES | | YES |



DETAIL A
SCALE 4:1



NOTES:

- CONNECTOR MATERIALS:
HOUSING: HIGH TEMPERATURE THERMAL PLASTIC, BLACK
UL 94V-0 COMPLIANT
CONTACTS: HIGH PERFORMANCE COPPER ALLOY.
- CONTACT FINISH REF. GS-12-604 SECTION 5.2.
- PRODUCT SPECIFICATION: GS-12-604.
- APPLICATION SPECIFICATION: GS-20-128.
- PRODUCT MARKING (FCI - PART NUMBER & DATE CODE) ON HOUSING IN AREA SHOWN.
- PACKAGING MEETS FCI SPECIFICATION GS-14-937.
- HOUSING COMPONENT WILL WITHSTAND EXPOSURE TO 260°C PEAK TEMPERATURE FOR 60 SECONDS IN A CONVECTION, INFRA-RED, OR VAPOR PHASE REFLOW OVEN.
- HOST BOARD ALIGNMENT KEY IS RECOMMENDED TO ENSURE PROPER ALIGNMENT OF SOLDER TAILS WITH HOST BOARD PADS.
- THE OLD RECOMMENDED BOARD IS ASSOCIATED WITH -001 & -002 PARTS. THE NEW HOST BOARD CAN BE USED WITH ALL DASH NUMBERS AND IS FOR IMPROVED SOLDER REFLOW PROCESS.
- A \triangle SYMBOL WILL BE NEXT TO ANY DIMENSION, VIEW, OR NOTE WHICH HAS BEEN MODIFIED WITH THE CURRENT DRAWING REVISION.

| | | | | | | | | |
|-------------|----------------|------------|------------------------|-----------|-----------|-----------------|-------|-----|
| dr | Tim Houtz | 2009/10/21 | projection | MM | size | A2 | scale | 4:1 |
| eng | Wei-Long Zhang | 2012/09/05 | | | ecn no | ELX-DG-012741-1 | | |
| chr | - | - | | | rel level | Released | | |
| appr | Pei-Ming Zheng | 2012/09/11 | product family | CARD EDGE | cat. no. | 10107844 | rev | G |
| www.fci.com | | | Product - Customer Drw | | | sheet 6 of 6 | | |

Mouser Electronics

Authorized Distributor

Click to View Pricing, Inventory, Delivery & Lifecycle Information:

[FCI / Amphenol:](#)

[10107844-002LF](#) [10107844-003LF](#) [10107844-001LF](#) [10107844-004LF](#)