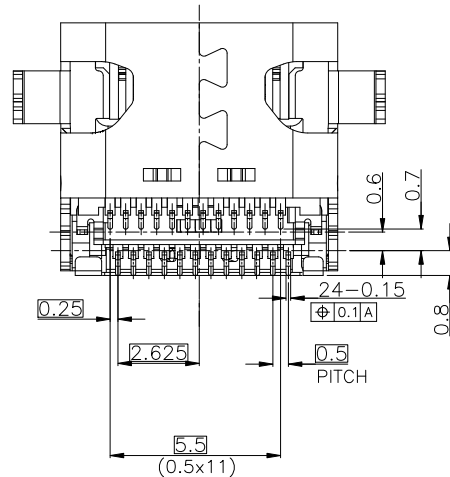
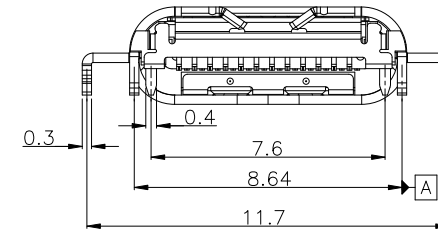
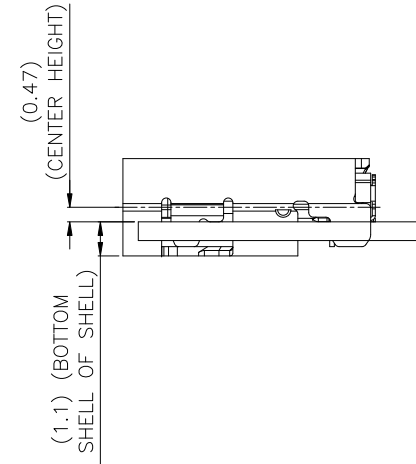
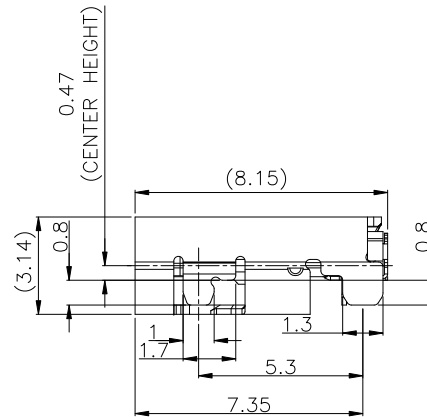
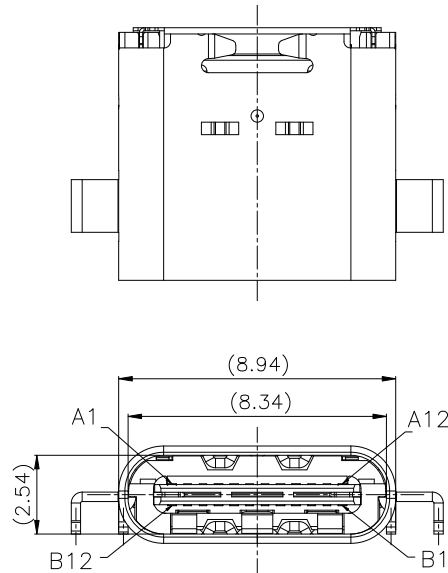
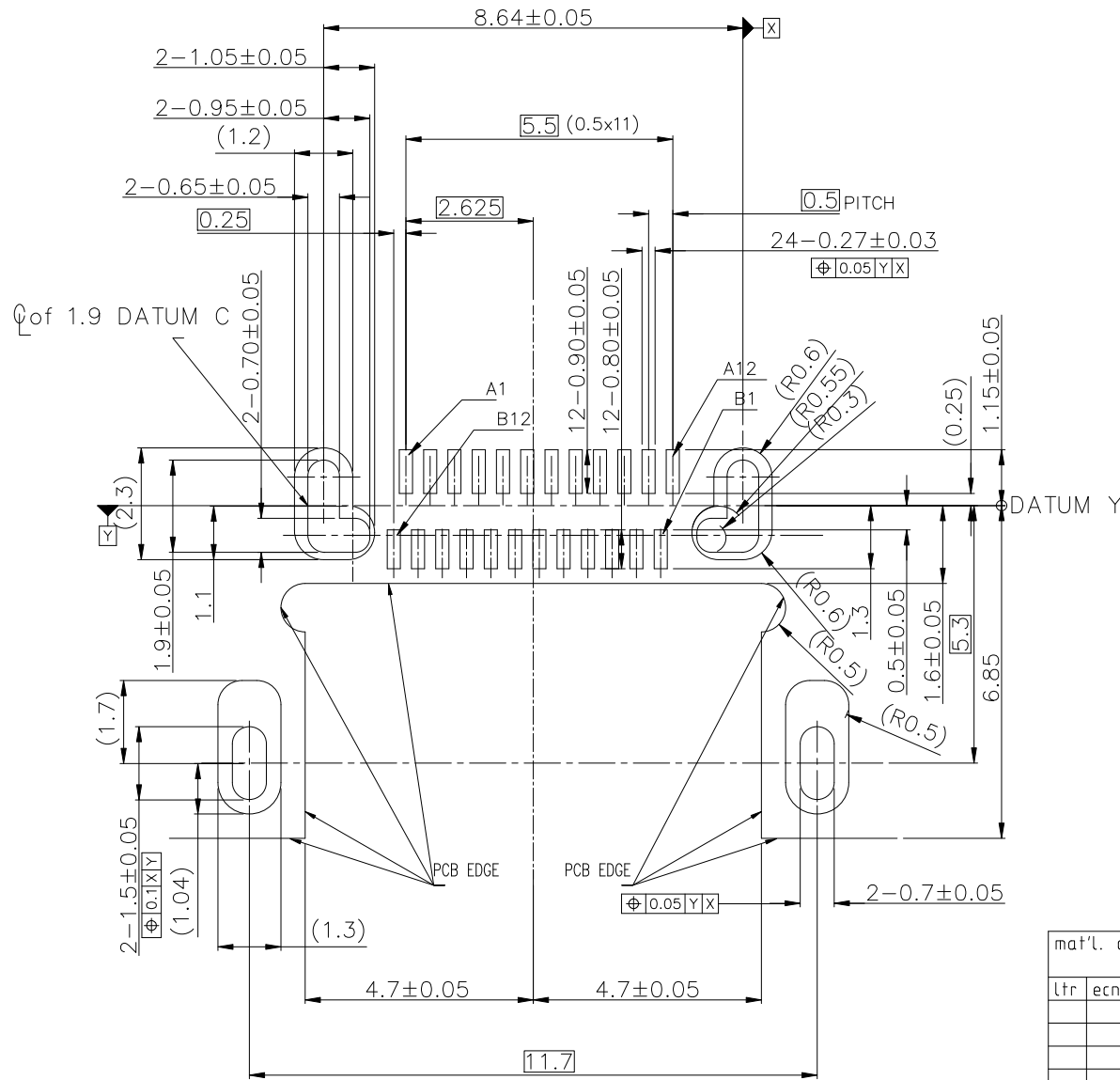


PRODUCT NUMBER
SEE PART NO. SCHEME



⑥	TOP CONTACT	1 SET	COPPER ALLOY	Ni UNDER PLATING. MATTE TIN PLATING ON SOLDER AREA.	
⑤	BOTTOM CONTACT	1 SET	COPPER ALLOY	GOLD PLATING ON CONTACT AREA. (SEE P/N SCHEME)	
④	SHIELDING PLATE	1 PCS	STAINLESS	Ni PLATING OVERALL.	
③	HOUSING	1 PCS	THERMOPLASTIC	UL94V-0, BLACK	
②	SHELL	1 PCS	STAINLESS	Ni PLATING OVERALL.	
①	TOP SHELL	1 PCS	STAINLESS	Ni PLATING OVERALL.	
ITEM	PART NAME	QTY	MATERIAL	REMARK	
mat'l. code		surface tolerance		projection	
ltr		ecn no		product family	
dr		date		USB	
A		TAI 2015-10-06		title	
		tolerances unless otherwise specified		USB 3.1 TYPE C RECEPT. R/A	
		angles		MID-MOUNT, SMT AND DIP TAILS	
		X°±3°		scale	
		dr KENNY TAI 2015-09-21		dwg no	
		enr KENNY TAI 2015-09-21		sheet 1 of 2	
		chr KENNY TAI 2015-09-21		size	
		appd PM ZHENG 2015-10-06		10137064	
				A4	
				type	
				CUSTOMER Drawing	
sheet index	revision sheet	A	A		
		1	2		

PRODUCT NUMBER
SEE PART NO. SCHEME



RECOMMENDED PCB LAYOUT

NOTES:

1. ELECTRICAL:

- 1-1. CONTACT CURRENT RATING:
5.0A FOR VBUS AND GND.
(i.e., Pins A4,A9,B4,B9)
1.25A FOR Vconn AND GND.
(i.e., Pins B5,A1,A12,B1,B12)
0.25A FOR ALL THE OTHERS CONTACTS.

1-2. INSULATION RESISTANCE:

100 MEGAOHMS MIN. AT 250VDC.

1-3. DIELECTRIC WITHSTANDING VOLTAGE:

100VAC MIN.

1-4. LOW LEVEL CONTACT RESISTANCE:

INITIAL: 40mΩ MAX.; AFTER ENVIRONMENTAL TEST: MAX. CHANGE 10mΩ.

2. MECHANICAL CHARACTERISTICS:

2-1. INSERTION FORCE:

5N~20N.

2-2. EXTRACTION FORCE:

8N~20N FROM 1 TO 1000 CYCLES
6~20N FROM 1001 TO 10000 CYCLES.

2-3. DURABILITY:

10,000 MATING CYCLES.

2-4. OPERATING TEMPERATURE:

-55°C TO +85°C

3. CAPABLE TO 260°C REFLOW SOLDER FOR 10 SEC.

4. PRODUCT SPECIFICATION: GS-12-1336

5. PACKAGE SPECIFICATION: GS-14-2487

PART NUMBER SCHEME:

10137064-000 X X LF

CONTACT PLATING

- 1. GOLD FLASH
- 2. 30u" Au

PACKAGING

- 1. TAPE AND REEL

mat'l. code				surface <input checked="" type="checkbox"/> tolerance		projection		product family	
ltr				ecn no		dr		date	
tolerances unless otherwise specified				angles		±0.3		product family	
X°±3°				mm		MM		title	
dr				KENNY TAI		2015-09-21		USB	
enr				KENNY TAI		2015-09-21		title	
chr				KENNY TAI		2015-09-21		USB 3.1 TYPE C RECEPT. R/A	
appd				PM ZHENG		2015-10-06		MID-MOUNT, SMT AND DIP TAILS	
sheet index				revision sheet		A 1		A 2	
dwg no				sheet 2 of 2		size		A4	
type				CUSTOMER Drawing		10137064			

Mouser Electronics

Authorized Distributor

Click to View Pricing, Inventory, Delivery & Lifecycle Information:

[FCI / Amphenol:](#)

[10137064-00021LF](#)