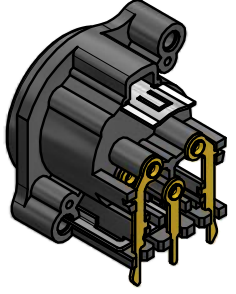
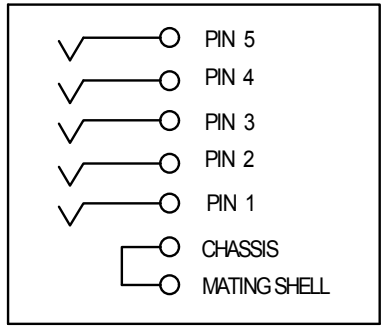
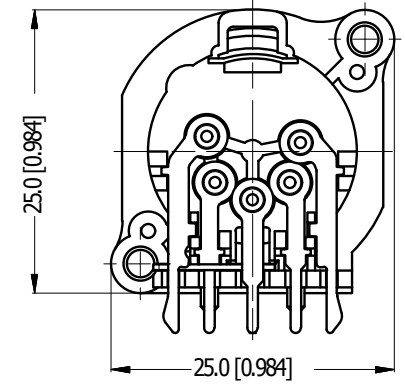
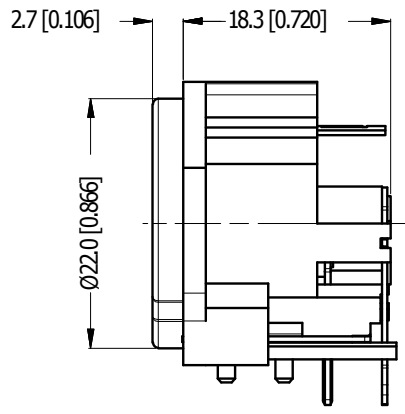
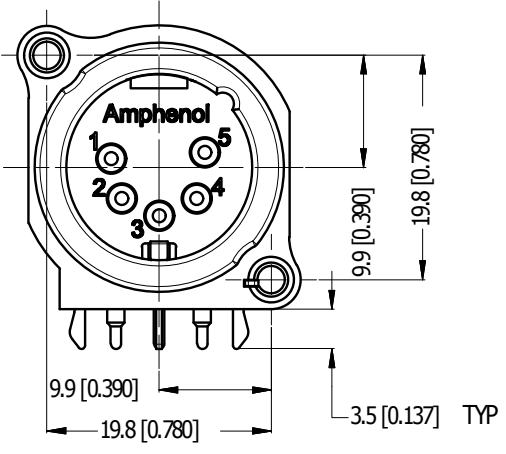


LEGEND = KEY PRODUCT CHARACTERISTICS

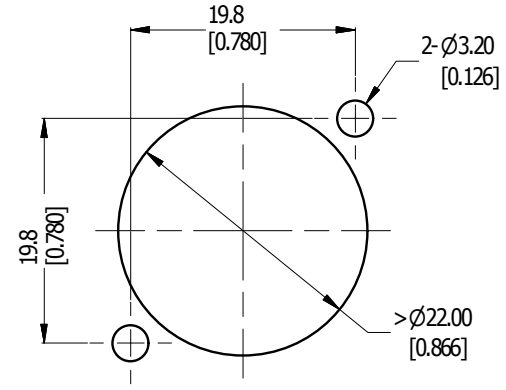
REV	DESCRIPTION	DATE	BY	ECN
0	FIRST ISSUE	20-08-08	MH	---
1	ADD -B TO PN	26-08-15	MH	---
2	CHANGE MATERIAL FROM UL94HB TO UL94V-0	01-04-20	MH	9593



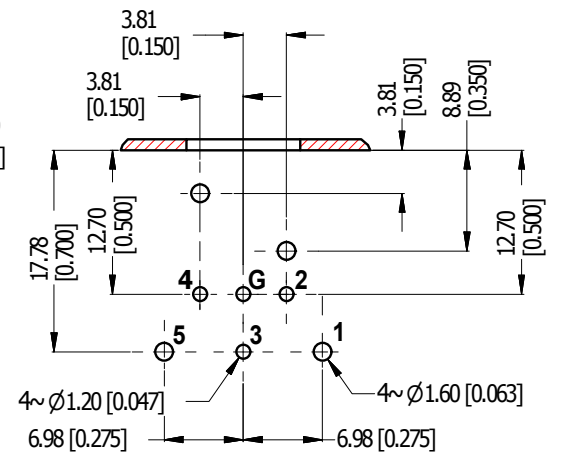
3D VIEW (1:1)



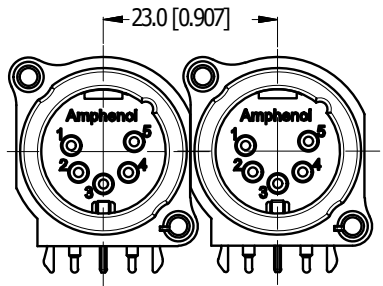
SCHMATIC CHART



PANEL CUT OUT
REAR VIEW



PCB LAYOUT
COMPONENT SIDE
TOLERANCE: ± 0.05mm [.002"]



MIN MOUNTING PITCH
(SCALE 1:1)

UNLESS OTHERWISE SPECIFIED TOLERANCE TO BE		THIS DOCUMENT IS THE PROPERTY OF AMPHENOL AUSTRALIA PTY. LTD. NO PART THEREOF MAY BE REPRODUCED AND USED WITHOUT THE PRIOR WRITTEN CONSENT OF THE OWNER			
LINEAR	ANGULAR	MATERIAL:	DRN:	M.H	DATE:
X ± 0.5	X° ± 1	SEE COMPONENT	CKD:	M.H	DATE:
XX ± 0.2	XX° ± 30'	DO NOT SCALE	APP'D:	P.M	DATE:
XXX ± 0.1	XXX° ± 15'	FINISH:	SEE COMPONENT		
BREAK ALL SHARP EDGES AND REMOVE ALL BURRS		DIMENSIONS IN MILLIMETRES	THIRD ANGLE PROJECTION	SCALE:	3:2
				SIZE:	A4

Amphenol		Amphenol Australia Pty.Ltd, 22 Industry Blvd, Carrum Downs, VIC 3201	
TITLE: AC5MAH-AU-B HORIZONTAL MALE CUSTOMER DRAWING		PART No. AC5MAH-AU-B	
CAD FILE: 5501444000112		DRAWING No. 55010444-000-2	
		SHEET 2 / 2	