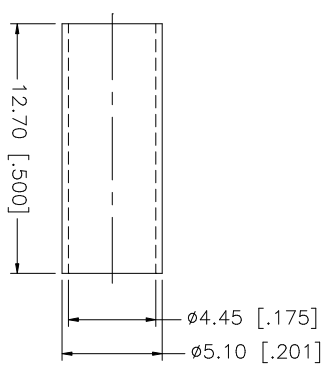
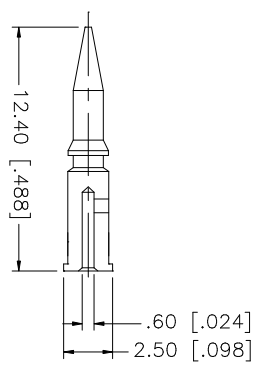
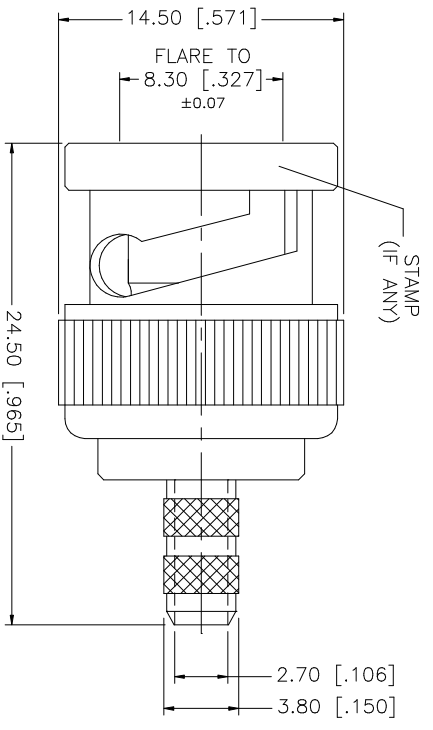
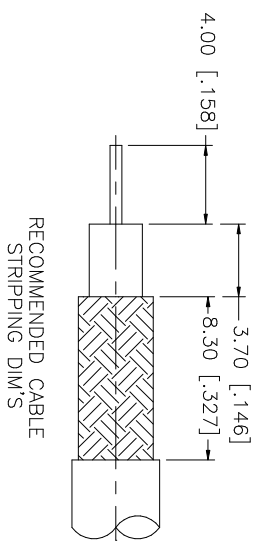


REV.	DATE	DESCRIPTION
A	11/21/03	UPDATE DRAWING FORMAT



CRIMP NOTES:

1. CRIMPED FERRULE
HEX CRIMP SIZE .178"
2. CRIMPED CONTACT PIN
HEX CRIMP SIZE .068"

Amphenol Connex

BNC CRIMP PLUG (FOR BELDEN 1865A, 8218, B1417B, B1164B, RG-B809)

NO.	DESCRIPTION	MATERIAL	FINISH	QTY	DO NOT SCALE DRAWING	CAD FILE	DWG. NO.	REV.	SIZE	SCALE
8										
7										
6										
5										
4	FERRULE	COPPER	NICKEL	1						
3	CONTACT PIN	BRASS	GOLD	1						
2	INSULATOR	DELRIN	NATURAL	1						
1	BODY	BRASS	NICKEL	1						
	DESCRIPTION									

UNLESS OTHERWISE SPECIFIED DIMENSIONS ARE IN MILLIMETERS. DIMENSIONS IN [] ARE IN INCHES AND FOR CUSTOMER REFERENCE ONLY.

UNLESS OTHERWISE SPECIFIED TOLERANCES FOR MILLIMETERS ARE:

0.5 - 8mm ± 0.20mm
8 - 30mm ± 0.40mm
30 - 120mm ± 0.50mm

UNLESS OTHERWISE SPECIFIED TOLERANCES FOR INCHES ARE:

.020 - .315 = ± 0.007"
.315 - 1.180 = ± 0.015"
1.180 - 4.724 = ± 0.020"

APPROVALS

DRAWN G.R.S. DATE 11/21/03

CHECKED

ISSUED

SHEET 1 OF 1

PART NO. 112521

CAD FILE C:/112/112521.DWG

DWG. NO. 112521.DWG

REV. A

SIZE A

SCALE NA