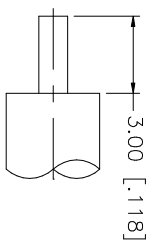
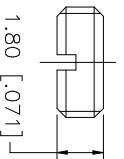
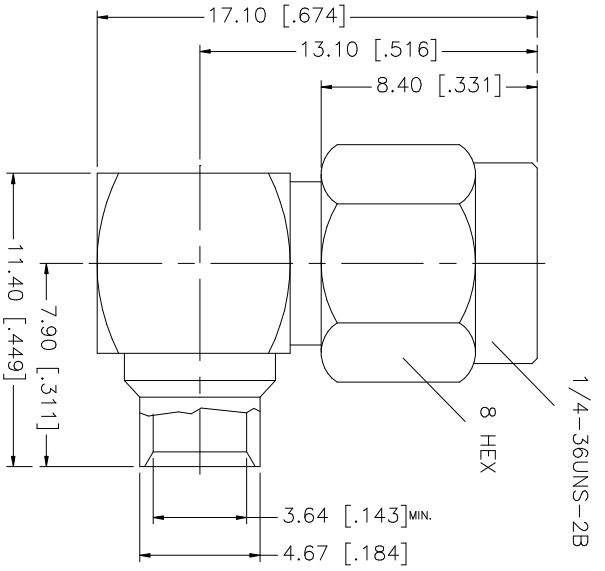


REV.	DATE	DESCRIPTION
NC	05/22/03	INITIAL RELEASE



RECOMMENDED  
CABLE STRIPPING DIM'S

8	COVER	BRASS	GOLD	1	<p>UNLESS OTHERWISE SPECIFIED DIMENSIONS ARE IN MILLIMETERS. DIMENSIONS IN [ ] ARE IN INCHES AND FOR CUSTOMER REFERENCE ONLY.</p> <p>UNLESS OTHERWISE SPECIFIED TOLERANCES FOR MILLIMETERS ARE:</p> <p>0.5 - 8mm ± 0.20mm</p> <p>8 - 30mm ± 0.40mm</p> <p>30 - 120mm ± 0.50mm</p> <p>UNLESS OTHERWISE SPECIFIED TOLERANCES FOR INCHES ARE:</p> <p>.020 - .315 = ± 0.007"</p> <p>.315 - 1.180 = ± 0.015"</p> <p>1.180 - 4.724 = ± 0.020"</p> <p>DO NOT SCALE DRAWING</p>	<p>APPROVALS</p> <p>DRAWN G.R.S.</p> <p>CHECKED</p> <p>ISSUED</p> <p>SHEET 1 OF 1</p>	<p>DATE</p> <p>05/22/03</p>	<p>Amphenol Connex</p> <p>SMA R/A DIRECT SOLDER PLUG (FOR .141" SEMI-RIGID CABLE)</p>
7	GASKET	SILICONE	RED	1				
6	RETAINER RING	BER. COPPER	NATURAL	1				
5	CONTACT PIN	BRASS	GOLD	1				
4	INSULATOR	TEFLON	NATURAL	1				
3	BODY	BRASS	GOLD	1				
2	SHELL	BRASS	GOLD	1				
1	DESCRIPTION	MATERIAL	FINISH	QTY				

**Amphenol Connex**

SMA R/A DIRECT SOLDER PLUG  
(FOR .141" SEMI-RIGID CABLE)

PART NO. 132112

DWG. NO. 132112.DWG

REV. NC

SIZE A

SCALE NA