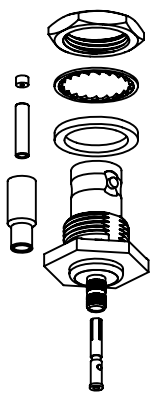
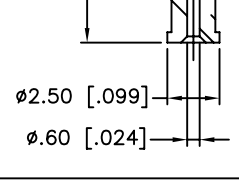
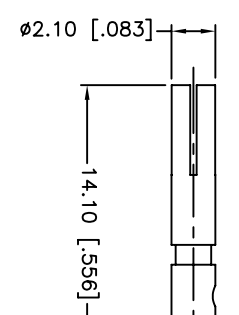
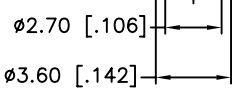
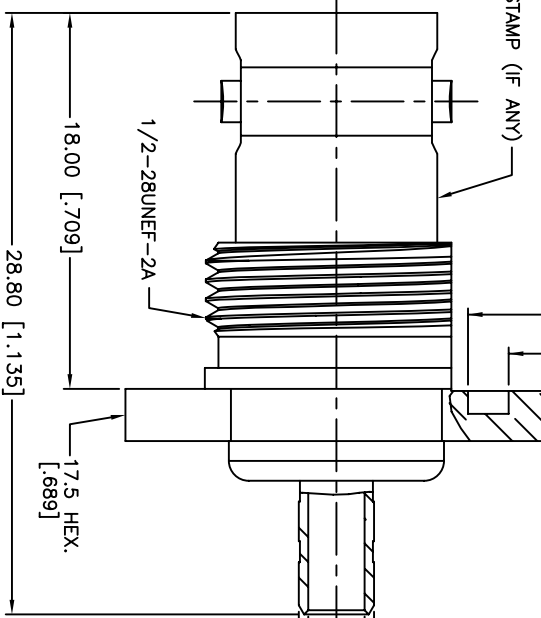
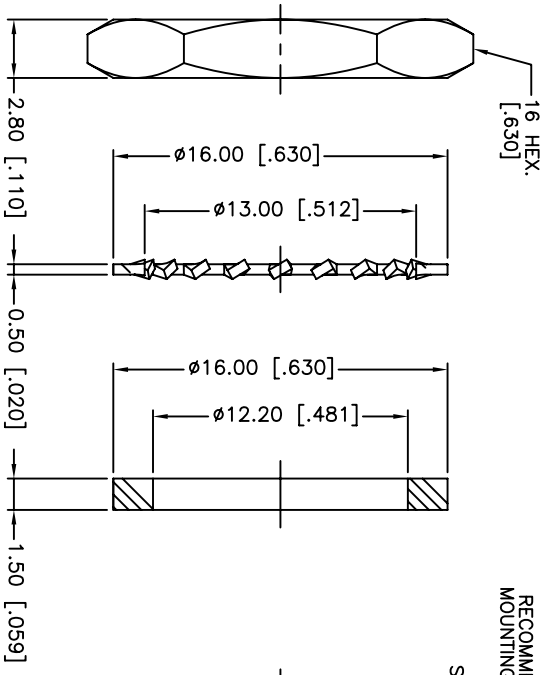
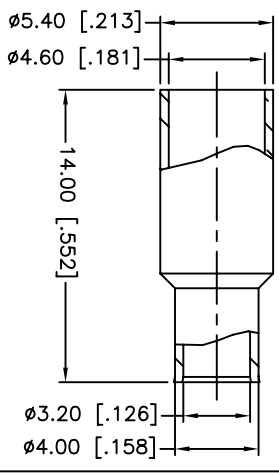
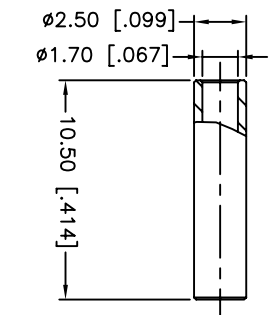
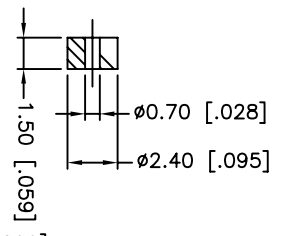
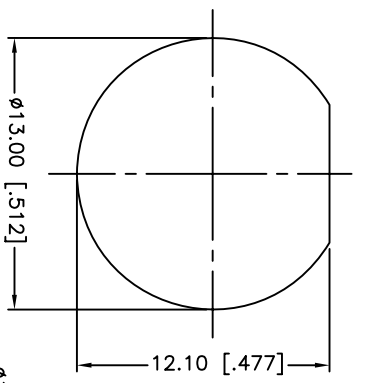
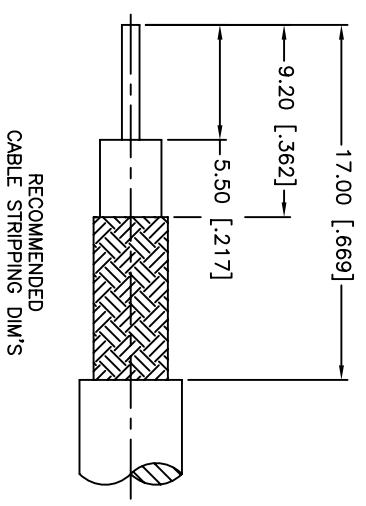


REV.	DATE	ECR NO.	DESCRIPTION
A	01/10/04	XXXXXX	UPDATE DRAWING FORMAT
B	02/16/12	2281	CHANGE THE DESIGN



NO.	DESCRIPTION	MATERIAL	FINISH	QTY
11	INSULATOR	PTFE	NATURAL	1
10	FERRULE	BRASS	NICKEL	1
9	SLEEVE	BRASS	NICKEL	1
8	CONTACT PIN	PHOSPHOR BRONZE	GOLD	1
7	HEX NUT	BRASS	NICKEL	1
6	LOCK WASHER	BRASS	NICKEL	1
5	GASKET	RUBBER	RED	1
4	BARREL	BRASS	NICKEL	1
3	INSULATOR	PTFE	NATURAL	1
2	BODY	BRASS	NICKEL	1
1	HOUSING	BRASS	NICKEL	1

UNLESS OTHERWISE SPECIFIED, DIMENSIONS ARE IN INCHES AND FOR CUSTOMER REFERENCE ONLY.
 UNLESS OTHERWISE SPECIFIED, DIMENSIONS ARE IN MILLIMETERS AND FOR CUSTOMER REFERENCE ONLY.
 UNLESS OTHERWISE SPECIFIED, DIMENSIONS ARE IN MILLIMETERS AND FOR CUSTOMER REFERENCE ONLY.
 TOLERANCES FOR INCHES ARE:
 .020 - .315 = ± 0.007"
 .315 - 1.180 = ± 0.015"
 1.180 - 4.724 = ± 0.020"
 TOLERANCES FOR MILLIMETERS ARE:
 0.5 - 8mm ± 0.20mm
 8 - 30mm ± 0.40mm
 30 - 120mm ± 0.50mm
 UNLESS OTHERWISE SPECIFIED, DIMENSIONS ARE IN MILLIMETERS AND FOR CUSTOMER REFERENCE ONLY.
 TOLERANCES FOR MILLIMETERS ARE:
 .020 - .315 = ± 0.007"
 .315 - 1.180 = ± 0.015"
 1.180 - 4.724 = ± 0.020"

APPROVALS	DATE
M. ZHANG	02/16/12

Amphenol Connex

BNC BULKHEAD CRIMP JACK
(FOR RG-316U/D CABLE)

112517

IMPEDANCE:	50 OHM
FREQUENCY RANGE:	DC - 4 GHz
VSWR:	1.3 MAX.
DIELECTRIC WITHSTANDING VOLTAGE:	1500 VRMS, MIN.
DURABILITY:	500 CYCLES MIN.
TEMPERATURE RANGE:	-65°C TO +165°C
CRIMPED FERRULE	
HEX. CRIMP SIZE:	.178"
CRIMPED CONTACT PIN	
HEX. CRIMP SIZE:	.068" OR TO SOLDER
MAX. PANEL THICKNESS:	3.5mm