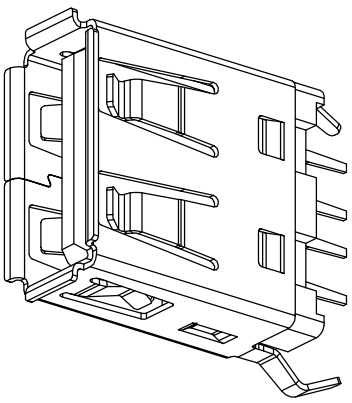
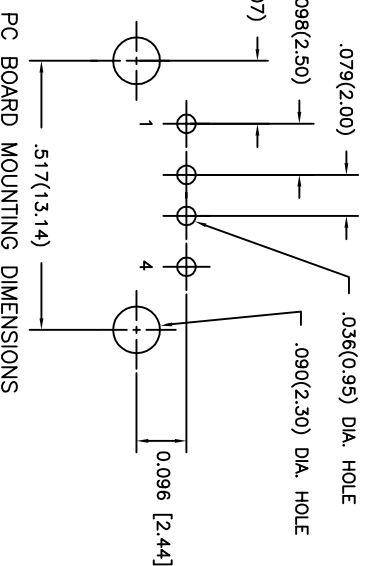


GENERAL TOLERANCES: ±0.10(0.25) EXCEPT ON PCB LAYOUT AND CONTACTS SPACING ±.006(0.15)



THIS SERIES FULLY CONFORMS TO THE EUROPEAN UNION DIRECTIVES 2011/65/EU FOR ROHS COMPLIANCY.

ISSUE NUMBER
RE-DWG. APR.22/08 ⑤
F.BRIONES
RE-DWG. SEP.14/08 ⑥
F.BRIONES
REMOVE 15u" GOLD RSTA.MONICA JUN.29/10 ⑦
RSTA.MONICA
TAILS DIM'S ADDED F.BRIONES JUN.22/11 ⑧
F.BRIONES
TOLERANCES ADDED F.BRIONES JUN.29/11 ⑨
F.BRIONES
ADD NOTES FORCES RSTA.MONICA JUN.26/14 ⑩
RSTA.MONICA
NEW METAL SHELL RSTA.MONICA SEPT.12/14 ⑪
RSTA.MONICA
ADD ELEC. SPECS RSTA.MONICA APR.11/2016 ⑫
RSTA.MONICA
NEW TOOLING RSTA.MONICA OCT.30/2016 ⑬
RSTA.MONICA

ELECTRICAL:
 RATED CURRENT: 1.5A
 RATED VOLTAGE: 30V (rms) MAX
FORCES:
 MATING FORCE: 35N MAX
 UNMATING FORCE: 10N MIN
MATERIALS:
 SHELL: COPPER ALLOY, NICKEL PLATED
 CONTACTS: COPPER ALLOY GOLD PLATE ON CONTACT AREA
 TIN ON TAIL END
 GOLD FLASH
 30 MICRONS OF GOLD
 260 CONTACT CODE
 660 CONTACT CODE
 INSULATOR: THERMOPLASTIC (HIGH TEMPERATURE RESISTANCE)
 PART NUMBER: 690-004-260-013

CONTACT CODE _____

USB CONNECTOR A TYPE, VERTICAL, SINGLE DECK

EDAC INC
 TORONTO, ONTARIO
 CANADA
 YOUR CONNECTION TO QUALITY & SERVICE

ACAD REFERENCE NO. 690-004-260-013	DATE: OCT 16/98
DRAWN: J.CHOW	DATE:
CHECKED:	
SCALE: (IN C.A.D. 1:1)	SHEET 1 OF 1
DRAWING NUMBER 690-004-260-013	ISSUE 13

Mouser Electronics

Authorized Distributor

Click to View Pricing, Inventory, Delivery & Lifecycle Information:

EDAC:

[690-004-660-013](#) [690-004-260-013](#)