

Unshielded Radial Power Inductor

AIUR-15 Series



RoHS/RoHS II compliant



20.0 x ϕ 18.0mm

FEATURES:

- Ferrite Core
- High Reliability

APPLICATIONS:

- Switching Power Supplies
- Noise Filtering
- DC to DC Converters
- Electronic Household Appliances
- Buzzers and Alarm Systems
- Television and Audio Equipment

STANDARD SPECIFICATIONS:

PARAMETERS

ABRACON P/N:	AIUR-15 Series
Operating temperature:	-25°C to + 85°C
Storage temperature:	-25°C to + 85°C

Part Number AIUR-15- Inductance Code	Inductance	Tolerance	DCR (Max)	I _{RATED} (Max)	Marking
Units	μ H	%	Ω	A	
Symbol	L	M, K	DCR	I _{DC}	
AIUR-15-220	22	M	0.030	5.7	220M
AIUR-15-270	27	M	0.033	5.0	270M
AIUR-15-330	33	K	0.038	4.8	330K
AIUR-15-390	39	K	0.038	4.5	390K
AIUR-15-470	47	K	0.044	4.2	470K
AIUR-15-560	56	K	0.048	4.0	560K
AIUR-15-680	68	K	0.055	3.8	680K
AIUR-15-820	82	K	0.066	3.5	820K
AIUR-15-101	100	K	0.082	3.2	101K
AIUR-15-121	120	K	0.098	3.0	121K
AIUR-15-151	150	K	0.110	2.7	151K
AIUR-15-181	180	K	0.130	2.5	181K
AIUR-15-221	220	K	0.160	2.3	221K
AIUR-15-271	270	K	0.190	2.0	271K
AIUR-15-331	330	K	0.260	1.8	331K
AIUR-15-391	390	K	0.290	1.7	390K
AIUR-15-471	470	K	0.330	1.5	471K
AIUR-15-561	560	K	0.410	1.4	561K
AIUR-15-681	680	K	0.460	1.3	681K
AIUR-15-821	820	K	0.630	1.1	821K
AIUR-15-102	1000	K	0.710	1.0	102K

Test Conditions

Test frequency: 1KHz, 0.1Vrms

I_{RATED}: The DC current at which L drops 10% typical from its initial value or $\Delta T \leq 40^\circ\text{C}$, whichever is lower.

Unshielded Radial Power Inductor

AIUR-15 Series



RoHS/RoHS II compliant



20.0 x ϕ 18.0mm

PART IDENTIFICATIONS:

AIUR-15-

Inductance Code

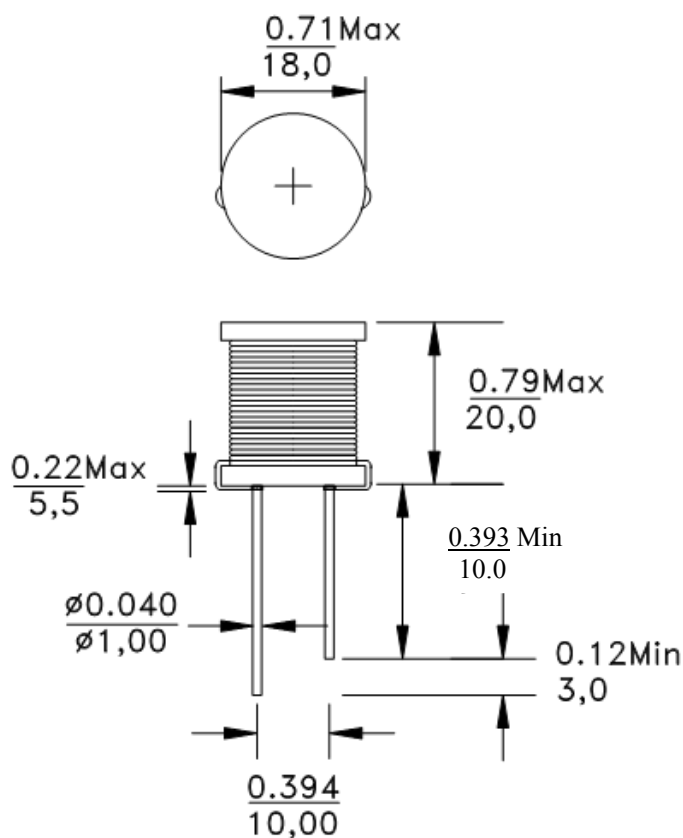
Please refer to the Electrical Spec Table

Tolerance

M: $\pm 20\%$

K: $\pm 10\%$

OUTLINE DRAWING:



Dimension: inch/mm

Packing (120pcs / Box)

ATTENTION: Abracon Corporation's products are COTS – Commercial-Off-The-Shelf products; suitable for Commercial, Industrial and, where designated, Automotive Applications. Abracon's products are not specifically designed for Military, Aviation, Aerospace, Life-dependant Medical applications or any application requiring high reliability where component failure could result in loss of life and/or property. For applications requiring high reliability and/or presenting an extreme operating environment, written consent and authorization from Abracon Corporation is required. Please contact Abracon Corporation for more information.

ABRACON IS
ISO 9001:2008
CERTIFIED



Visit www.abracon.com for Terms & Conditions of Sale **Revised: 10.06.14**
30332 Esperanza, Rancho Santa Margarita, California 92688
tel 949-546-8000 | fax 949-546-8001 | www.abracon.com

Mouser Electronics

Authorized Distributor

Click to View Pricing, Inventory, Delivery & Lifecycle Information:

ABRACON:

[AIUR-15-181K](#) [AIUR-15-331K](#) [AIUR-15-220M](#) [AIUR-15-101K](#) [AIUR-15-151K](#) [AIUR-15-820K](#) [AIUR-15-470K](#) [AIUR-15-330K](#) [AIUR-15-681K](#) [AIUR-15-221K](#) [AIUR-15-560K](#) [AIUR-15-270M](#) [AIUR-15-561K](#) [AIUR-15-680K](#) [AIUR-15-121K](#) [AIUR-15-271K](#) [AIUR-15-821K](#) [AIUR-15-102K](#) [AIUR-15-390K](#) [AIUR-15-471K](#) [AIUR-15-391K](#)