

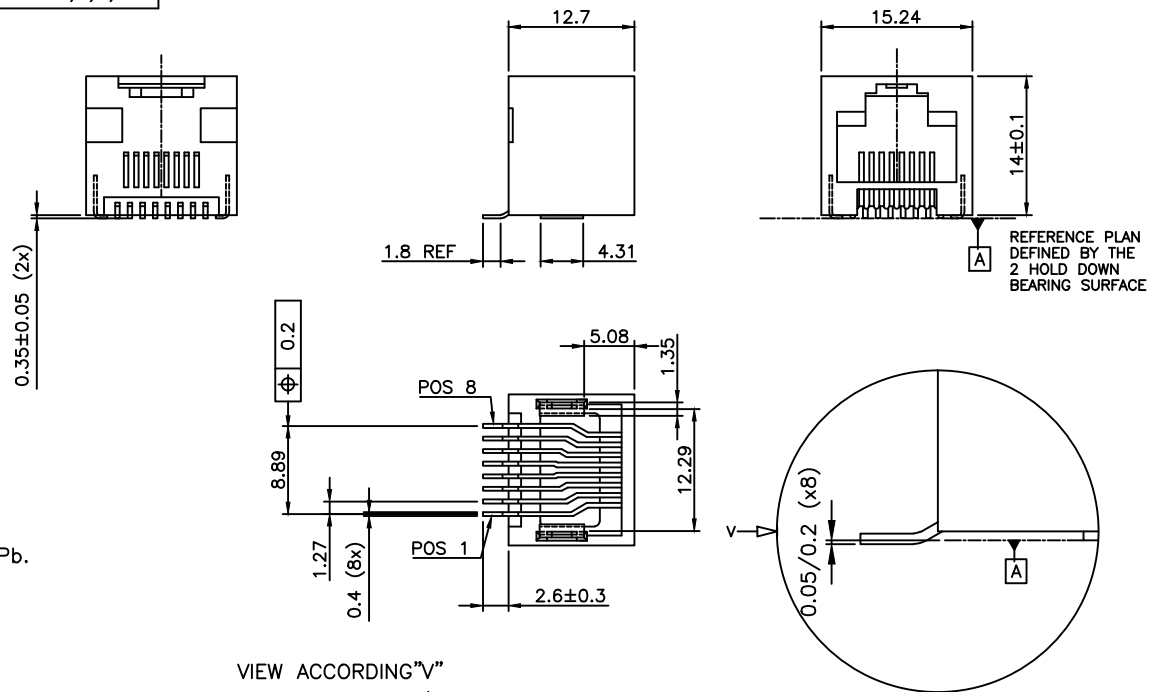
PRODUCT NUMBER
73333-XXXLF

PLATING OPTION
1= GXT 0.76 μ m
3= GOLD 0.76 μ m
5= GOLD 1.27 μ m

PACKAGE OPTION
1= TAPE ON REEL
2= TUBE
3= TAPE ON REEL IN PLASTIC BAG

TERMINAL LOADING
1= FULLY LOADED
2= POS 1,2,7,8
3= POS 3,4,5,6

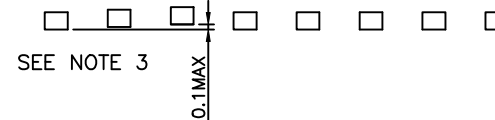
WHEN NEEDED, SUFFIX LETTER "LF" INDICATES THE PRODUCT IS RoHS COMPATIBLE, SEE NOTE 4.



NOTES:

- 1 - MATERIAL: HOUSING: HIGH TEMP. PCT, COLOUR BLACK.
TERMINAL: PHOSPHOR BRONZE.
- 2 - PLATING: CONTACT AREA: SEE TABLE.
SOLDER TAIL : 90/10 SnPb 2 μ m MIN.
WHEN SUFFIX "LF" IS REQUIRED 2 μ m MIN MATTE TIN OVER 1.27 MIN Ni IS SUPPLIED INSTEAD OF SnPb.
NO RAW EDGES EXCEPT SOLDER TAIL TIPS
- 3 - SOLDER TAILS COPLANARITY : 0.1 mm
- 4 - RoHS COMPATIBLE PRODUCT SPECIFICATIONS
 - a - PLATING:
 - "LF" MEANS THE PRODUCT IS LEAD-FREE, 2 μ m MINIMUM MATTE TIN OVER 1.27 μ m MINIMUM NICKEL UNDERPLATE.
 - b - MANUFACTURING PROCESS COMPATIBILITY
 - THE HOUSING WILL WITHSTAND EXPOSURE TO 245°C PEAK TEMPERATURE FOR 30 SECONDS MAX IN A CONVECTION, INFRA-RED OR VAPOR PHASE OR REFLOW OVEN.
- c - LABELING:
 - MEETS PACKAGING SPECS AS PER GS-14-920
- d - LEGAL STATEMENT: SEE GS-47-0004
- 5 - PACKAGING FOR OPTION 3 : EACH REEL IS WRAPPED INTO A PLASTIC BAG TO PROTECT FROM MOISTURE DURING STACKING TIME.

VIEW ACCORDING "V"



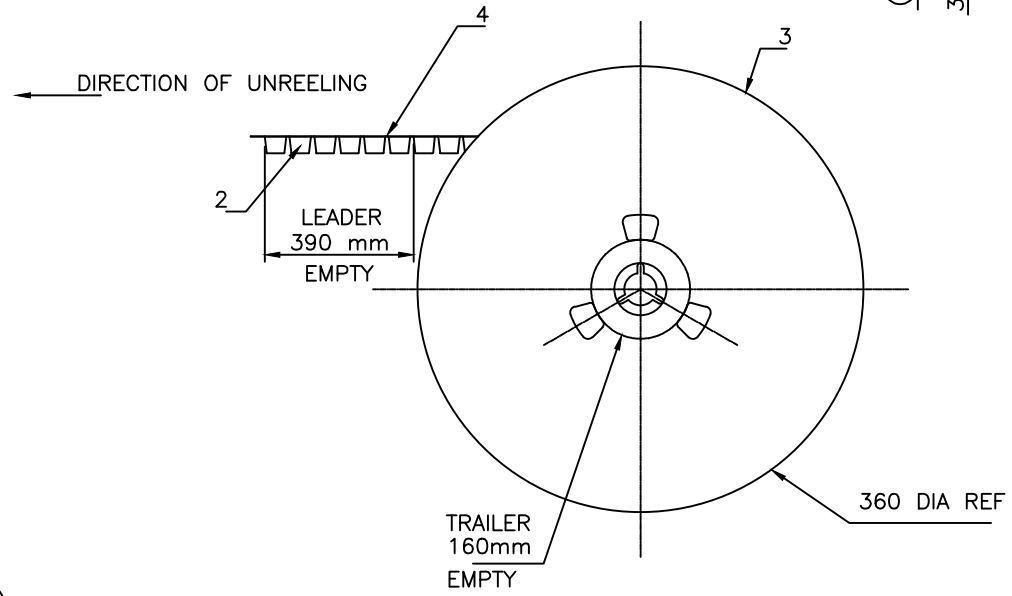
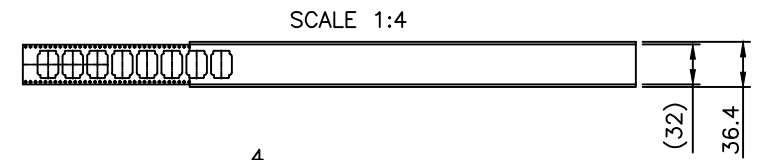
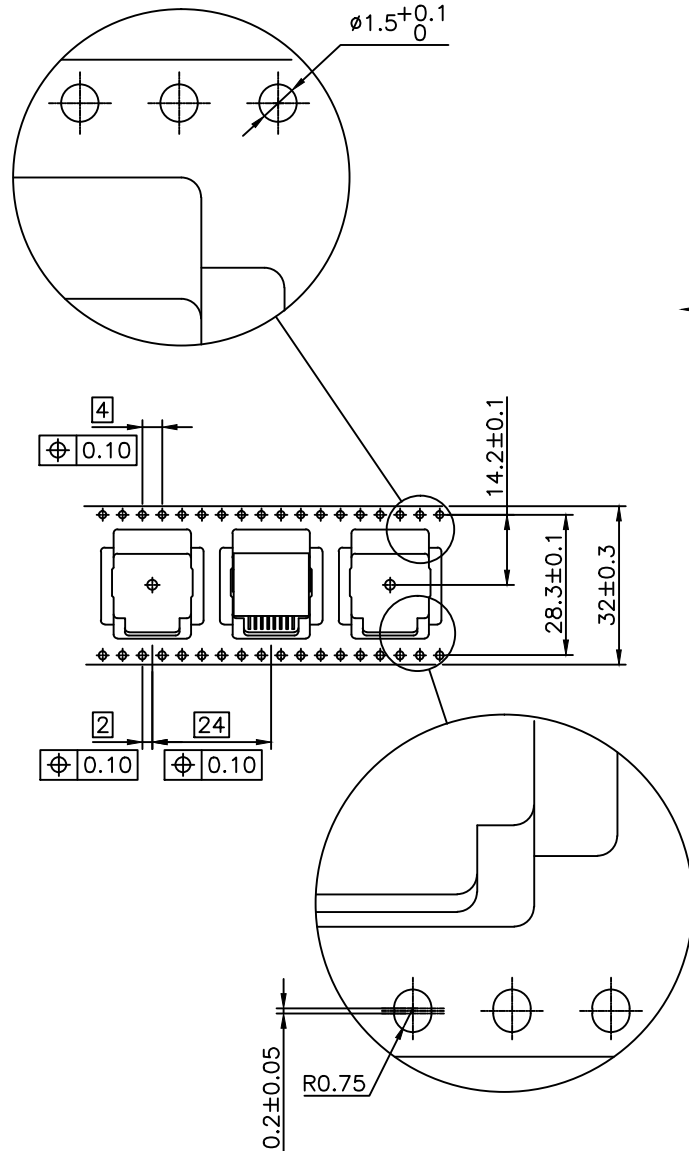
SEE NOTE 3

CUSTOMER COPY FOR REFERENCE ONLY

mat'l. code		surface		tolerance		projection		product family	
		ISO 1302		ISO 406 ISO 1101		mm		MODULAR JACK	
ltr		ecn no		dr		date		title	
H		F06-0240		DLE		06.07.18		SMT RA JACK	
J		F10-0238		APA		10.10.25		8 POS INSIDE	
K		B-15798		JFA		13.09.09		scale 2:1	
L		F-21888		AMA		15.09.09		dwg no	
				dr		D LEGRAND		sheet 1 of 3	
				enrg		P NIZZI		size	
F		F04-0363		DLE		04.10.19		73333	
G		F05-0247		DLE		05.09.12		A3	
				chr		D LEGRAND		type	
				appd		P NZ		CUSTOMER Drawing	
sheet		revision		L		D		B	
index		sheet		1		2		3	

PRODUCT NUMBER
SEE SHEET 1

LTR	PART NAME	QTY
1	PRODUCT	230
2	TAPE	1
3	REEL	1
4	COVER TAPE	1



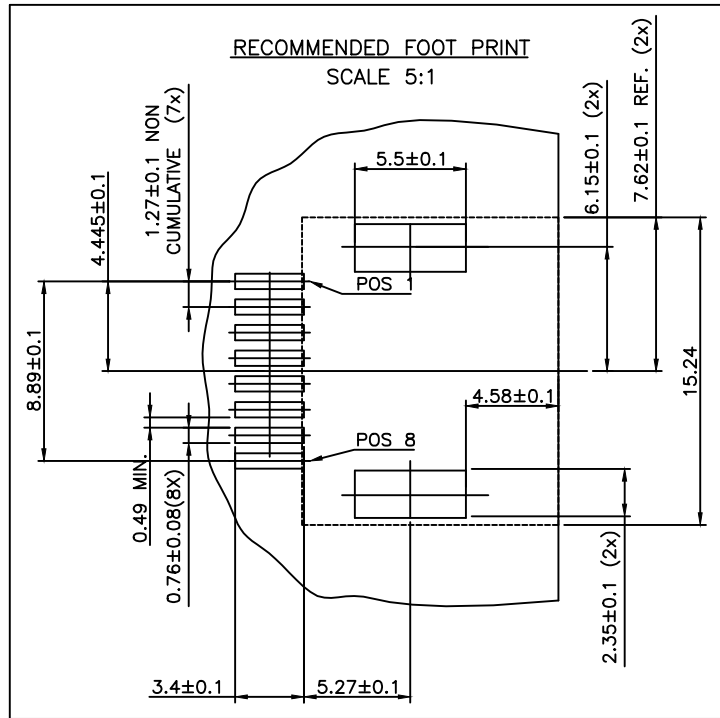
1- IN ACCORDANCE WITH EIA-481 AND IEC 296-3

CUSTOMER COPY FOR REFERENCE ONLY

mat'l. code		surface		tolerance		projection		product family	
		ISO 1302		ISO 406 ISO 1101				MOD-JACK	
ltr	ecn no	dr	date	tolerances unless otherwise specified				title	
C	F80620	DLE	98.11.26	angles				SMT RA JACK	
D	F06-0240	DLE	06.07.18	linear				8 POS. INSIDE	
		dr	D LEGRAND	06.07.18		scale 1:1		dwg no	
		enr	P NIZZI	06.07.18				sheet 2 of 3	
		chr	D LE	06.07.18				73333	
		app	P NZ	06.07.18				A3	
sheet index		revision sheet						type	
								CUSTOMER Drawing	



Copyright FCJ



FCIconnect.com

Copyright FCI

CUSTOMER COPY FOR REFERENCE ONLY

mat'l. code		surface		tolerance		projection		product family	
		ISO 1302		ISO 406 ISO 1101				MODULAR JACK	
ltr		ecn no		dr		date		title	
A		F04-0363		DLE		04.10.19		SMT RA JACK	
B		F06-0240		DLE		06.07.18		8 POS INSIDE	
		angles		linear				scale 2:1	
		±2'							
		dr		D LEGRAND		04.10.19		dwg no	
		engr		P NIZZI		04.10.19		sheet 3 of - size	
		chr		D LEGRAND		04.10.19		73333	
		appd		P NZ		04.10.19		A4	
sheet index		revision sheet						type	
								CUSTOMER Drawing	



form: A4

Mouser Electronics

Authorized Distributor

Click to View Pricing, Inventory, Delivery & Lifecycle Information:

[FCI / Amphenol:](#)

[73333-111LF](#) [73333-113LF](#)