

PRODUCT NUMBER  
20020303-XXXXXXLF

20020303-□ □ □ □ B 0 □ L F

PITCH

D: 3.81 mm  
G: 5.00 mm  
H: 5.08 mm

POLES

02: 2 POLES  
03: 3 POLES  
.....  
24: 24 POLES

LF : DENOTED RoHS COMPATIBLE

1 : STANDARD PRODUCT  
W/ BOX PACKING

HOUSING CODE

CODE	COLOR	AVAILABILITY
1	GREEN(RAL 6018/T)	STANDARD
2	BLACK	ON REQUEST ONLY
3	GREY(RAL 7004/P)	ON REQUEST ONLY
4	BLUE(RAL 5015/A)	ON REQUEST ONLY

PROPERTY TABLE				
FCI SERIES NAME		09-381	09-500	09-508
PITCH (mm)		3.81	5.00	5.08
VOLTAGE RATING (VAC)		300	300	300
CURRENT RATING (A)		6	10	10
APPLICABLE WIRE RANGE (AWG)	1-WIRE	16~26	14~24	14~24
	2-WIRE	NA	NA	NA
WIRE CROSS SECTION (mm <sup>2</sup> )	SOLID	1-WIRE	1.0	1.5
		2-WIRE	NA	NA
	STRANDED	1-WIRE	1.0	1.5
		2-WIRE	NA	NA
OPENING CONTACT HOUSING(mm <sup>2</sup> )		1.7x1.7	2.4x2.4	2.4x2.4
WIRE STRIP LENGTH(mm)		9~10	9~10	9~10
WITHSTANDING VOLTAGE (kV)		1.6	1.6	1.6
OPERATING TEMP. (°C)		-40~+115	-40~+115	-40~+115
SOLDERING TEMP. (°C)		250±10 (5 sec.)	250±10 (5 sec.)	250±10 (5 sec.)
POLES AVAILABLE		02~24	02~24	02~24
SAFETY CERTIFICATE				

NOTES:

- MATERIALS
  - 1-1 TERMINAL BODY: THERMALPLASTIC RESIN, UL 94V-0 RATED.
  - 1-2 TERMINAL COVER: THERMALPLASTIC RESIN, UL 94V-0 RATED.
  - 1-3 TERMINAL LEVER: THERMALPLASTIC RESIN, UL 94V-0 RATED.
  - 1-5 TERMINAL: COPPER ALLOY, TIN PLATED.
  - 1-6 SPRING CLAMP: STAINLESS STEEL.
- PRODUCT SPECIFICATION REFER TO FCI GS-12-625.
- PRODUCT PACKING SPECIFICATION REFER TO FCI GS-14-1394.
- FCI, SAFETY CERTIFICATE LOGO AND SERIES NAME TO BE SHOWN ON PRODUCT SURFACE.
- THE PRODUCTS WHERE THE PART NUMBER END IN "LF" MEET THE EUROPEAN UNION DIRECTIVE AND OTHER COUNTRY REGULATIONS AS DESCRIBED IN GS-22-008.
- RECOMENDED SOLDERING PROCESS BY WAVE SOLDER.

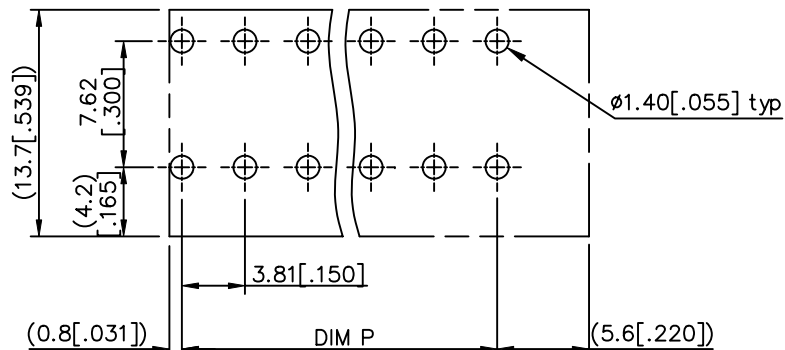
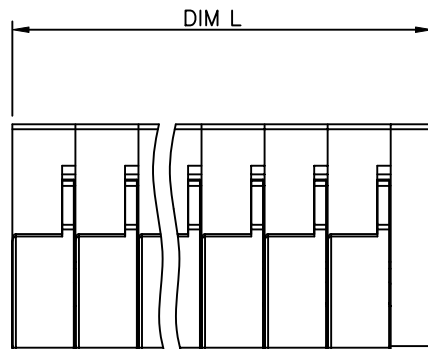
mat'l. code		surface ASME Y14.5 ✓		tolerance ASME Y14.5		projection		product family	
ltr		ecn no		dr		date		TERMINAL BLOCK	
A		T10-0191		WL		122010		title	
B		T11-0012		WL		021711		TERMINAL BLOCK	
C		T-005281		WL		082311		FIXED SIGNAL PLUG, RIGHT ANGLE WIRE INLET	
								scale	
								dwg no	
								sheet 1 of 4 size	
								20020303	
								A4	
								type	
								CUSTOMER Drawing	
sheet index		revision sheet		C		C		C	
				1		2		3	
								4	



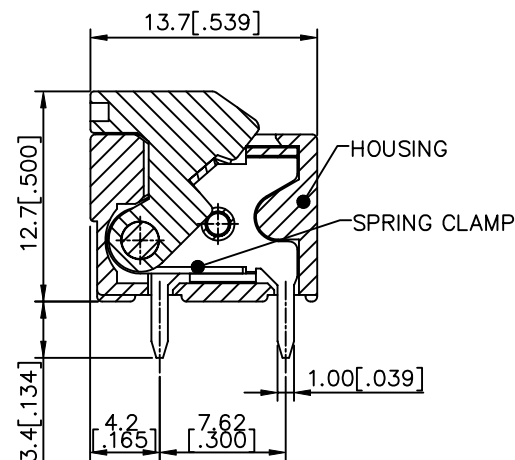
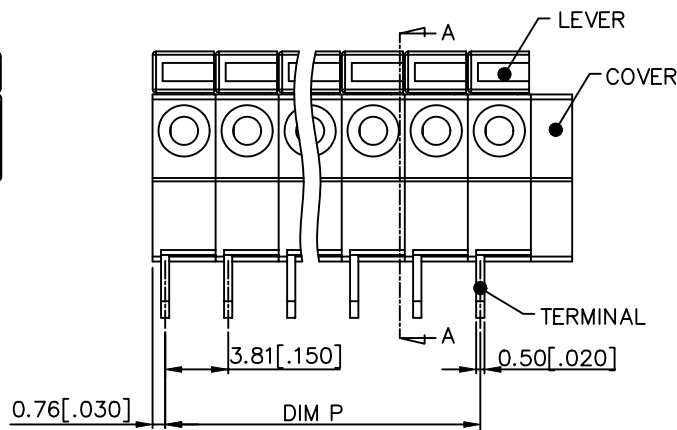
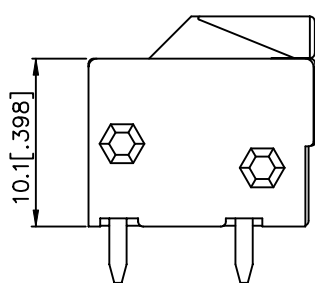
PRODUCT NUMBER	SERIES NAME	PITCH
20020303-DXXXXXLf	09-381	3.81 mm

N = Number of poles  
 Dim L =  $N \times 3.81 [ .150 ] + 2.5 [ .098 ]$   
 Dim P =  $(N - 1) \times 3.81 [ .150 ]$

POLES	Dim L	Dim P
2-6P	$\pm 0.15 [ .006 ]$	$\pm 0.10 [ .004 ]$
7-12P	$\pm 0.20 [ .008 ]$	$\pm 0.20 [ .008 ]$
13-18P	$\pm 0.30 [ .012 ]$	$\pm 0.25 [ .010 ]$
19-24P	$\pm 0.40 [ .016 ]$	$\pm 0.30 [ .012 ]$



P.C.B. LAYOUT



SEC. A-A

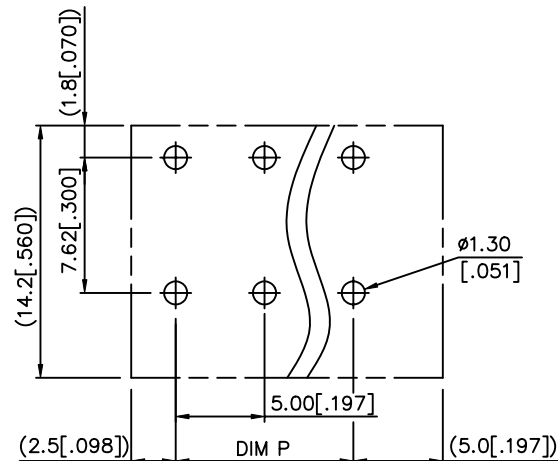
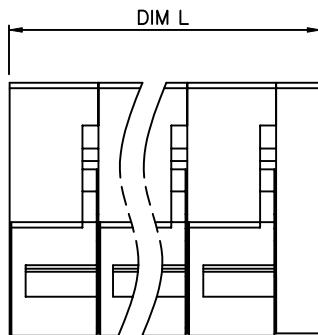
mat'l. code		surface ASME Y14.5	tolerance ASME Y14.5	projection	product family TERMINAL BLOCK	
ltr	ecn no dr	date		 MM [INCH]	title	
tolerances unless otherwise specified					TERMINAL BLOCK FIXED SIGNAL PLUG, RIGHT ANGLE WIRE INLET	
c		angles	X. $\pm$ 0.5 X.X $\pm$ 0.3 X.XX $\pm$ 0.1	scale	dwg no	
		dr	WENDY CHEN 110910		sheet 2 of 4 size	
		enr	JASON HSU 110910		20020303	A4
		chr	JASON HSU 110910		type	CUSTOMER Drawing
		appd	JASON HSU 110910			
sheet index	revision sheet					



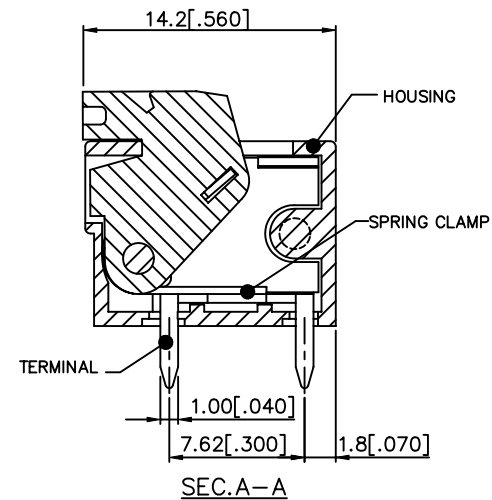
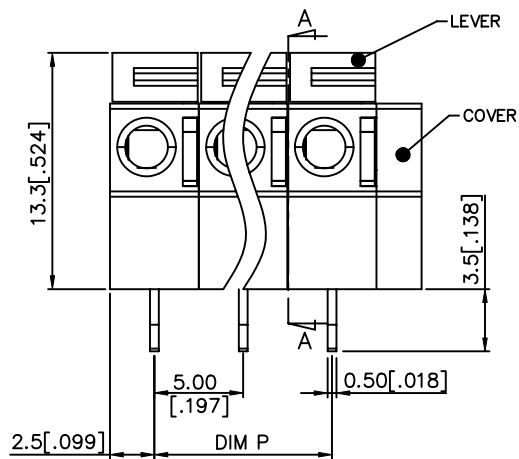
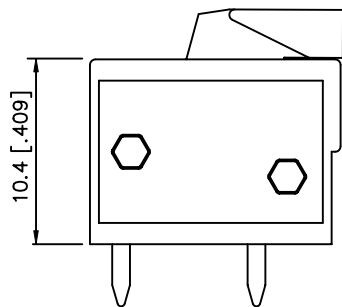
PRODUCT NUMBER	SERIES NAME	PITCH
20020303-GXXXXXXLF	09-500	5.00 mm

N = Number of poles  
 Dim L =  $N \times 5.0[.197] + 2.54[.100]$   
 Dim P =  $(N - 1) \times 5.0[.197]$

POLES	Dim L	Dim P
2-6p	$\pm 0.15[.006]$	$\pm 0.10[.004]$
7-12p	$\pm 0.20[.008]$	$\pm 0.20[.008]$
13-18p	$\pm 0.30[.012]$	$\pm 0.25[.010]$
19-24p	$\pm 0.40[.016]$	$\pm 0.30[.012]$



P.C.B. LAYOUT



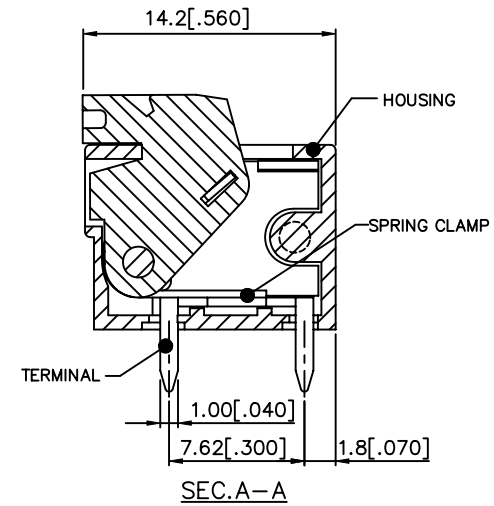
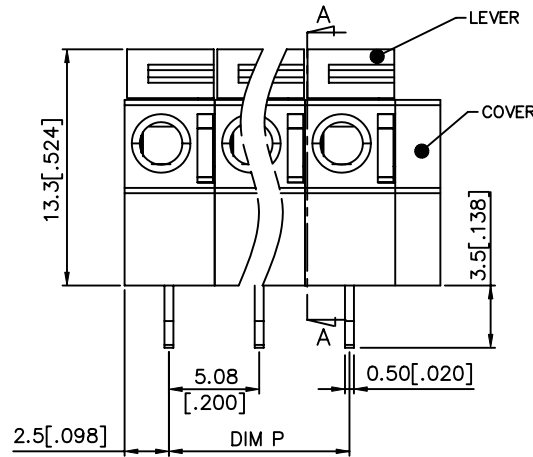
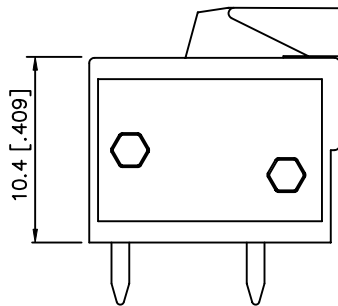
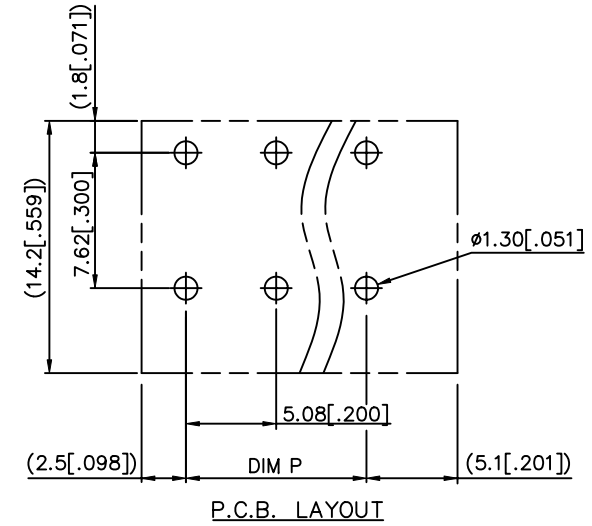
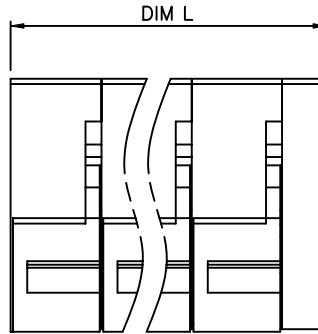
SEC. A-A

mat'l. code		surface ASME Y14.5	tolerance ASME Y14.5	projection 	product family TERMINAL BLOCK
ltr	ecn no	dr	date	title TERMINAL BLOCK FIXED SIGNAL PLUG, RIGHT ANGLE WIRE INLET	
c		angles	$X \pm 0.5$	MM [INCH]	dwg no 20020303 sheet 3 of 4 size A4
		$X \pm 1^\circ$	$X.X \pm 0.3$	scale	
		dr	WENDY CHEN 110910		type CUSTOMER Drawing
		enr	JASON HSU 110910		
		chr	JASON HSU 110910		
		appd	JASON HSU 110910		
sheet index	revision sheet				

PRODUCT NUMBER	SERIES NAME	PITCH
20020303-HXXXXXXLF	09-508	5.08 mm

N = Number of poles  
 Dim L =  $N \times 5.08 [ .200 ] + 2.54 [ .100 ]$   
 Dim P =  $(N - 1) \times 5.08 [ .200 ]$

POLES	Dim L	Dim P
2-6p	$\pm 0.15 [ .006 ]$	$\pm 0.10 [ .004 ]$
7-12p	$\pm 0.20 [ .008 ]$	$\pm 0.20 [ .008 ]$
13-18p	$\pm 0.30 [ .012 ]$	$\pm 0.25 [ .010 ]$
19-24p	$\pm 0.40 [ .016 ]$	$\pm 0.30 [ .012 ]$



mat'l. code	surface ASME Y14.5	tolerance ASME Y14.5	projection 	product family TERMINAL BLOCK
ltr	ecn no	dr	date	title
tolerances unless otherwise specified				TERMINAL BLOCK FIXED SIGNAL PLUG, RIGHT ANGLE WIRE INLET
angles		$X \pm 0.5$	MM	
X°±1'		$X.X \pm 0.3$	[INCH]	
		$X.XX \pm 0.1$	scale	dwg no
dr		WENDY CHEN	110910	sheet 4 of 4
enr		JASON HSU	110910	20020303
chr		JASON HSU	110910	A4
appd		JASON HSU	110910	type
sheet index		revision sheet		CUSTOMER Drawing

# Mouser Electronics

Authorized Distributor

Click to View Pricing, Inventory, Delivery & Lifecycle Information:

## Amphenol:

[20020303-G021B01LF](#) [20020303-D021B01LF](#) [20020303-H041B01LF](#) [20020303-D031B01LF](#) [20020303-H031B01LF](#)  
[20020303-G041B01LF](#) [20020303-D041B01LF](#) [20020303-D051B01LF](#) [20020303-H191B01LF](#) [20020303-H221B01LF](#)  
[20020303-G221B01LF](#) [20020303-H121B01LF](#) [20020303-H051B01LF](#) [20020303-G161B01LF](#) [20020303-](#)  
[G061B01LF](#) [20020303-H061B01LF](#) [20020303-D091B01LF](#) [20020303-H171B01LF](#) [20020303-D211B01LF](#) [20020303-](#)  
[G201B01LF](#) [20020303-G111B01LF](#) [20020303-D231B01LF](#) [20020303-G241B01LF](#) [20020303-H111B01LF](#)  
[20020303-D101B01LF](#) [20020303-G231B01LF](#) [20020303-G211B01LF](#) [20020303-D071B01LF](#) [20020303-D181B01LF](#)  
[20020303-G091B01LF](#) [20020303-G191B01LF](#) [20020303-G121B01LF](#) [20020303-G171B01LF](#) [20020303-](#)  
[D131B01LF](#) [20020303-H201B01LF](#) [20020303-G081B01LF](#) [20020303-D171B01LF](#) [20020303-D221B01LF](#) [20020303-](#)  
[H241B01LF](#) [20020303-H101B01LF](#) [20020303-G181B01LF](#) [20020303-G141B01LF](#) [20020303-D141B01LF](#)  
[20020303-G032B01LF](#) [20020303-G042B01LF](#)

## FCI / Amphenol:

[20020303-H021B01LF](#)