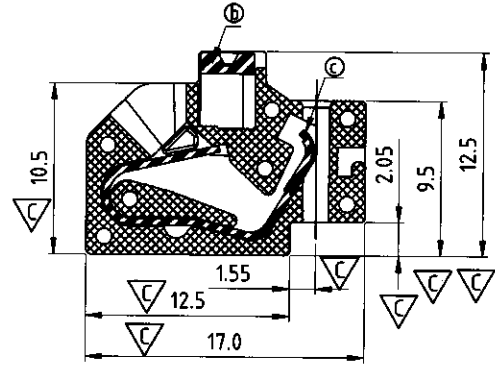
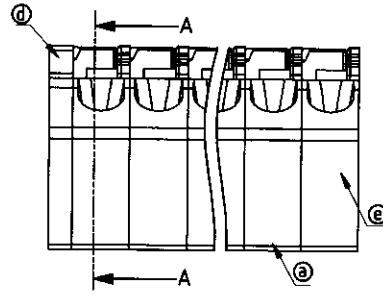
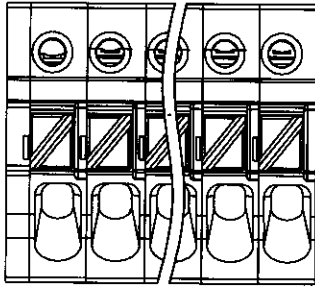
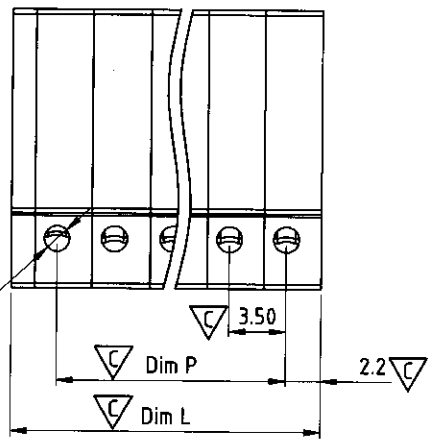


SIGN	DATE	DESCRIPTION	APPROVER
△			
△			

THIS IS CAD DRAWING, DO NOT REVISE MANUALLY!!!



Section A-A



Material

- Item ① Insulating body: Thermoplastic (UL94V-0)
- Item ② Insulating lever: Thermoplastic (UL94V-0) Orange RAL 2011/P
- Item ③ Spring clamp: Stainless steel Matte Tin plated.
- Item ④ Insulating cover : Thermoplastic (UL94V-0)
- Item ⑤ Terminal side body: Thermoplastic (UL94V-0)

- Electrical: cULus
- Voltage rating: 150V
 - Current rating: 2A
 - Solid wire(AWG): 16-22
 - Stranded wire(AWG): 16-22
 - Wire strip length: 9.0-10.0mm
 - Withstanding Voltage: 1.3KV
 - Operating temperature: -40°C to +115°C
 - Safety Approval:
 - Critical dimension: ▽



NY xx 10 x 0 xxxx G

- RoHs compliant (lead<4%) in copper Alloy
- | | | |
|--------------|---------------------|---|
| No. OF POLES | Body Color | 0000 Standard @ Logo |
| 02: 2 POLES | 0 Black (RAL9005) | 000A Standard ANY Logo |
| 03: 3 POLES | 2 Red (RAL3001/D) | Any special item by |
| ⋮ | 3 Orange(RAL2011/P) | 4 Yellow(RAL1018/A) customer request, |
| 24: 24 POLES | 5 Green(RAL6018/T) | 6 Blue (RAL5015/A) please contact sales department. |
| | 8 Grey(RAL7004/P) | |
| | 9 White(RAL1102) | |
| | C Multiple colors | |

N = Number of poles
 Dim L=(N×3.5)+1.5
 Dim P=(N-1)×3.5

POLES	Dim L	Dim P
2p-6p	±0.15	±0.15
7p-12p	±0.2	±0.2
13p-18p	±0.3	±0.3
19p-24p	±0.4	±0.4

ANYTEK		CUSTOMER COPY		ALL RIGHTS RESERVED. REPRODUCTION OR ISSUE TO THIRD PARTIES IN ANY FORM WHATSOEVER IS NOT PERMITTED WITHOUT WRITTEN AUTHORITY FROM THE PROPRIETOR. PROPERTY OF ANYTEK TECHNOLOGY CO., LTD			
				TITLE	NY-3.5mm Series (W/O top cover)		
PART NO.	NYxx10x0xxxxG			DWG NO.	8NY0003		
APPROVED	CHECKED	DESIGNED	DRAWN	CUST NO.	Tolerance		
		Guoxue	Guoxue		UNIT: mm	X.	±0.50
		2014.08.06	2014.08.06		SCALE: NONE	X.X	±0.30
					SHEET: 01/01	REV: B	X.XX
						X*	±1*

Mouser Electronics

Authorized Distributor

Click to View Pricing, Inventory, Delivery & Lifecycle Information:

[Amphenol:](#)

[NY0510800000G](#) [NY0610800000G](#) [NY0410800000G](#) [NY0310800000G](#) [NY0210800000G](#)