

SIGN	DATE	DESCRIPTION	APPROVER
△	11.01'05	Standard spec is changed.	Marivn
△	8/07'06	Added VDE and TUV standard	梁仁松
△	2010.03.12	Add the 2p mark	Jacke

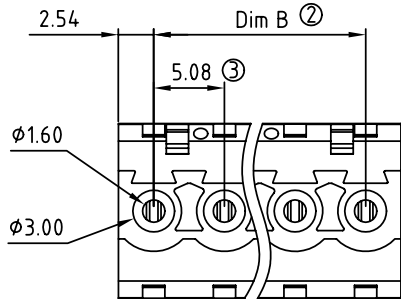
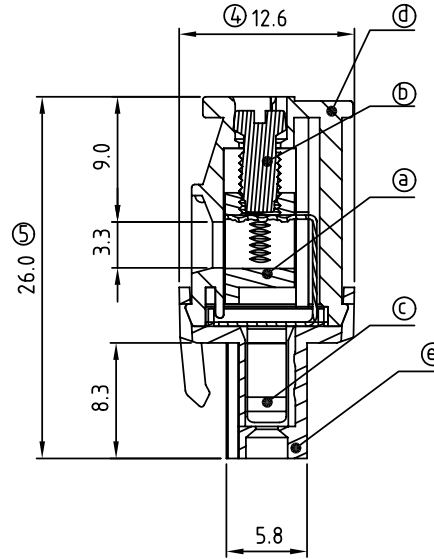
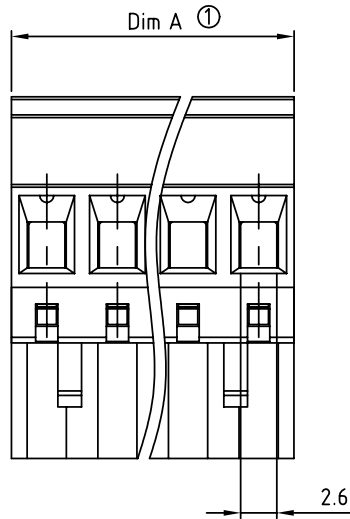
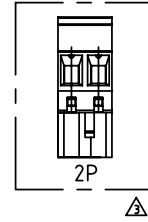
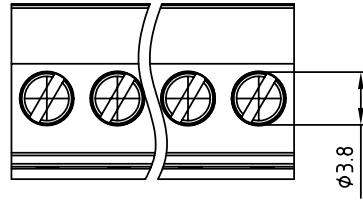
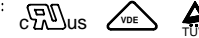
THIS IS CAD DRAWING, DO NOT REVISE MANUALLY!!!

Material

- Item a Clamp: Brass(CuZn) Ni plated
- Item b Terminal screw: Steel Zinc plating "-" slot type
- Item c Female contact: PhBz Tin plated
- Item d Terminal (housing): Thermoplastic (UL94V-0)
- Item e Terminal (cover): Thermoplastic (UL94V-0)

△△ Electrical cULus/VDE/TUV

- Voltage rating: 300VAC/300VAC/300VAC
- Current rating: 15A/17A/15A
- Wire range: 2.5mm²/0.34-2.5mm²
- Solid wire(AWG): 12-24
- Stranded wire(AWG): 12-24
- Torque: 3.5Lb-In./0.5Nm/0.4Nm
- Screw: M3
- Wire strip length: 6-7mm
- Withstanding Voltage: 1.6KV/2.5KV/2.5KV
- Operating temperature: -40°C to +115°C
- Safety approval:



N = Number of poles

Dim A = N x 5.08

Dim B = (N-1) x 5.08

	Dim A	Dim B
2-6p	±0.15	±0.15
7-12p	±0.25	±0.25
13-18p	±0.30	±0.30
19-24p	±0.40	±0.40

TS xx 51 x A xxxx G

	Color		
02 2 CONTACTS	0 Black (RAL9005)	0000: "@" Logo	RoHS
03 3 CONTACTS	2 Red (RAL3001/D)	000A: "ANYTEK" Mark	Pb<40,000ppm
...	3 Orange(RAL2011/P)	0091: "ANYTEK" Mark	
24 24 CONTACTS	4 Yellow(RAL1018/A)	Any special item by customer request.	
	5 Green(RAL6018/T)	please contact sales department.	
	6 Blue (RAL5015/A)		
	8 Grey(RAL7035/D)		

ANYTEK

CUSTOMER COPY

ALL RIGHTS RESERVED. REPRODUCTION OR ISSUE TO THIRD PARTIES IN ANY FORM WHATSOEVER IS NOT PERMITTED WITHOUT WRITTEN AUTHORITY FROM THE PROPRIETOR. PROPERTY OF ANYTEK TECHNOLOGY CO., LTD

TITLE		TS-5.08mm Series(W/latching hooks on the wire entry side)					
PART NO.		TSxx51xAxxxxG		DWG NO.		8TS0101	
APPROVED		CHECKED	DESIGNED	DRAWN	CUST NO.		Tolerance
		Jacke 2010.03.13	Jacke 2010.03.13				X. ±0.50
							X.X ±0.30
							X.XX ±0.10
							X° ±1°
				SHEET: 01/01		REV.: F	

Mouser Electronics

Authorized Distributor

Click to View Pricing, Inventory, Delivery & Lifecycle Information:

Amphenol:

TS02515A0000G	TS03515A0000G	TS04515A0000G	TS05515A0000G	TS06518A0600Y	TS07515A0000G
TS08515A0000G	TS09515A0000G	TS10515A0000G	TS11515A0000G	TS12515A0000G	TS13515A0000G
TS14515A0000G	TS15515A0000G	TS16515A0000G	TS17515A0000G	TS18515A0000G	TS19515A0000G
TS20515A0000G	TS21515A0000G	TS22515A0000G	TS23515A0000G	TS24515A0000G	TS06515A0000G
TS06518A0000G	TS07518A0000G	TS03516A0000G	TS06510A0000G	TS02518A0000G	TS04510A0000G
TS03510A0000G	TS08513A0000G	TS04518A0000G	TS08518A0000G	TS09518A0000G	TS05518A0000G
TS08510A0000G	TS04513A0000G	TS12518A0000G	TS13518A0000G	TS14510A0000G	TS12510A0000G
TS11518A0000G	TS07510A0000G	TS10510A0000G	TS11510A0000G	TS15518A0000G	TS17510A0000G
TS14518A0000G	TS13510A0000G	TS18518A0000G	TS09510A0000G	TS19518A0000G	TS21510A0000G
TS16510A0000G	TS23518A0000G	TS20510A0000G	TS24518A0000G	TS21518A0000G	TS16518A0000G
TS18510A0000G	TS17518A0000G	TS19510A0000G	TS20518A0000G	TS24510A0000G	TS23510A0000G
TS02510A0000G	TS05510A0000G	TS10518A0000G	TS22510A0000G	TS03518A0000G	TS08512A0000G
TS15510A0000G	TS22518A0000G				