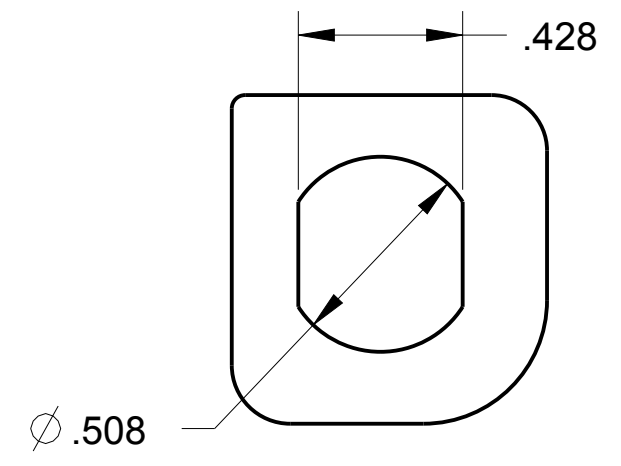
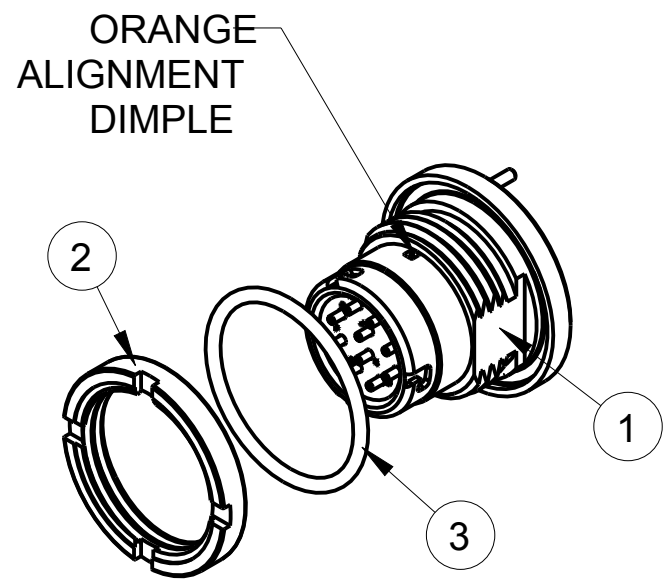
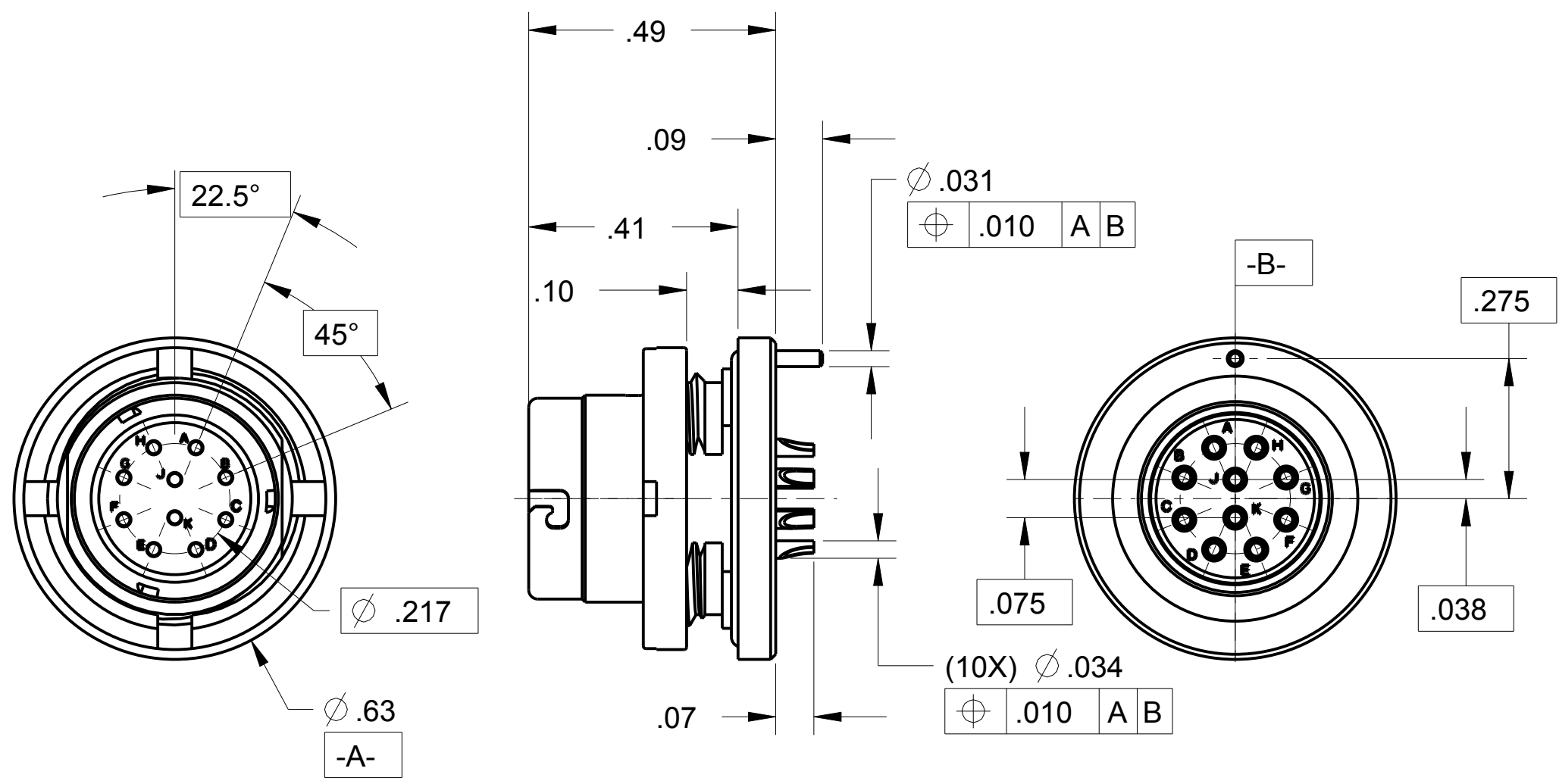


| ITEM # | PART # | QTY | DESCRIPTION |
|--------|------------|-----|-------------------------|
| 1 | MAJ-60-07B | 1 | INSERT ASSY, RECEPTACLE |
| 2 | MAJ-60-05 | 1 | NUT, (PM-MA) |
| 3 | MAJ-60-16 | 1 | O-RING, PANEL MOUNT |

B MAJ-60-00B-CP



RECOMMENDED
PANEL CUTOUT



THIS DOCUMENT CONTAINS PROPRIETARY INFORMATION OF NEXUS, INCORPORATED AND SUCH INFORMATION MAY NOT BE DISCLOSED TO OTHERS FOR ANY PURPOSE OR USED FOR ANY PURPOSE WITHOUT THE WRITTEN CONSENT OF NEXUS.

| LET. | REVISION | CN # | DATE | CHK. |
|------|-------------|------|------------|------|
| A | NEW RELEASE | 185 | 10/14 2013 | HR |

| | | | | |
|---|----|------|----------|---------------------------|
| DWN. BY | HR | DATE | 10/14/13 | MATERIAL |
| CHECKED BY | | DATE | | FINISH |
| APPR. BY | | DATE | | WEIGHT — |
| UNLESS OTHERWISE SPECIFIED: DIMENSIONS ARE IN INCHES &/OR (mm) TOLERANCES: DECIMAL: .XX[X.X] .XXX[X.XX] ± .0X[0.X] ± .00X[0.0X] FRACTION: X/X ANGLES: .X ± X° | | | | SCALE = 2.00 :1 |
| | | | | TITLE |
| DO NOT SCALE DWG. | | | | SHEET 1 OF 1 |
| NEXUS STAMFORD, CONN | | | | SIZE |
| B | | | | DWG. NO. MAJ-60-00B-CP |

Mouser Electronics

Authorized Distributor

Click to View Pricing, Inventory, Delivery & Lifecycle Information:

[Amphenol:](#)

[MAJ-60-00B](#)