

SEK-18 SV MA STD STRWW 10P PL2

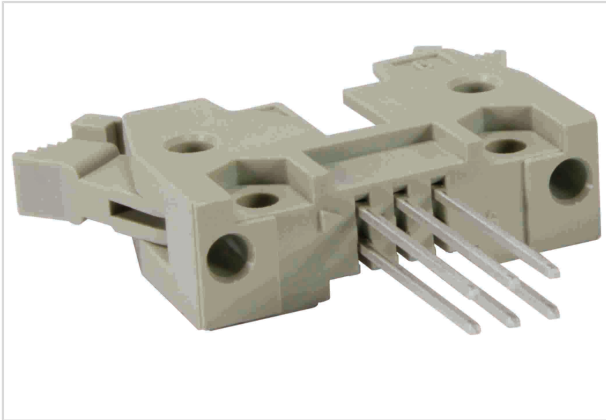


Image is for illustration purposes only. Please refer to product description.

| | |
|--------------------|---|
| Part number | 09 18 510 6927 |
| Specification | SEK-18 SV MA STD STRWW 10P PL2 |
| HARTING eCatalogue | https://b2b.harting.com/09185106927 |

Identification

| | |
|----------------------------|----------------|
| Category | Connectors |
| Series | SEK Standard |
| Element | Male connector |
| Description of the contact | Straight |

Version

| | |
|--------------------|------------------|
| Termination method | Wrap termination |
| Connection type | PCB to cable |
| Number of contacts | 10 |
| Termination length | 15 mm |
| Performance level | 2 |

Technical characteristics

| | |
|------------------------------------|---------------------------|
| Dimensions wire wrap post | 0.6 x 0.6 mm |
| Contact rows | 2 |
| Contact spacing (termination side) | 2.54 mm |
| Rated current | 1 A |
| Insulation resistance | $>10^9 \Omega$ |
| Contact resistance | $\leq 20 \text{ m}\Omega$ |
| Limiting temperature | -55 ... +125 °C |
| Mating cycles | ≥ 250 |
| Test voltage $U_{r.m.s.}$ | 1 kV |



Pushing Performance

Technical characteristics

Isolation group IIIa ($175 \leq \text{CTI} < 400$)

Material properties

| | |
|---|--|
| Material (insert) | Thermoplastic resin (PBT) |
| Colour (insert) | Grey |
| Material (contacts) | Copper alloy |
| Surface (contacts) | Sn over Ni Termination side Au over Pd/Ni Mating side |
| Material flammability class acc. to UL 94 | V-0 |
| RoHS | compliant |
| ELV status | compliant |
| China RoHS | e |
| REACH Annex XVII substances | No |
| REACH ANNEX XIV substances | No |
| REACH SVHC substances | No |

Specifications and approvals

| | |
|------------------------|--|
| Specifications | IEC 60603-13 |
| UL / CSA | UL 1977 ECBT2.E102079 CSA-C22.2 No. 182.3 ECBT8.E102079 |
| Railway classification | F3/I3 |

Commercial data

| | |
|--------------------------------|------------------------|
| Packaging size | 50 |
| Net weight | 6.6 g |
| Country of origin | Romania |
| European customs tariff number | 85366990 |
| eCl@ss | 27440402 PCB connector |

Current carrying capacity

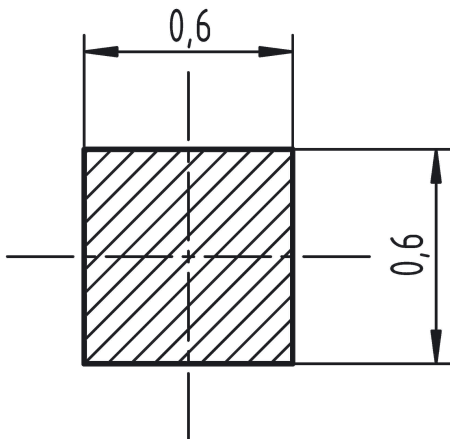
The current carrying capacity of the connectors is limited by the thermal load capability of the contact element material including the connections and the insulating parts. The derating curve is therefore valid for currents which flow constantly (non-intermittent) through each contact element of the connector evenly, without exceeding the allowed maximum temperature.

Measuring and testing techniques acc. to IEC 60512-5-2



- ① Temperature raise
- ② Derating curve
- ③ Derating curve 80%

Cross section of solder termination



Mouser Electronics

Authorized Distributor

Click to View Pricing, Inventory, Delivery & Lifecycle Information:

[HARTING:](#)

[09185106927](#)