

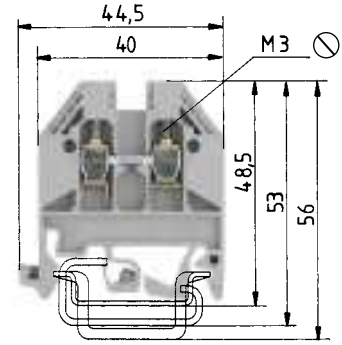
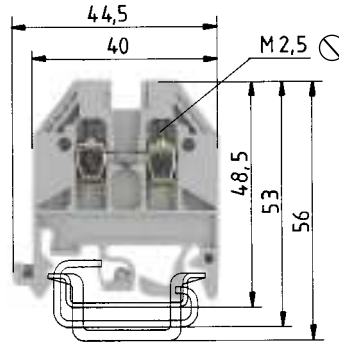
Feed-through blocks with screw connection

UL wire connection versions

⁴⁾ or 2x no. 14 sol/str AWG
or 2x no. 16 sol/str AWG
or 2x no. 18 sol/str AWG
or 3x no. 20 sol/str AWG or 3x no. 22 sol/str AWG

⁵⁾ or 2x no. 12 sol/str AWG
or 2x no. 16 sol/str AWG
or 3x no. 18 sol/str AWG or 3x no. 22 sol/str AWG

⁶⁾ or 2x no. 12 sol/str AWG
or 2x no. 14 sol/str AWG
or 3x no. 16 sol/str AWG



0344 II 2GD IM2
Ex e I/II
EN 60947-7-1
UL ratings
CSA ratings
KEMA 02 ATEX 2114 U¹⁾
Width
Approvals

Field/factory wiring

Wire strip length

WK 2,5/U

fine-stranded solid V A
0.5-2.5 mm² 0.5-4 mm² 800V/8kV/3
No. 22-12 AWG 600V 20/30
No. 24-12 AWG 600V 25
0.5-2.5 mm² 0.5-4 mm² 690V 23
5mm 9mm

WK 4/U

fine-stranded solid V A
0.5-4 mm² 0.5-6 mm² 800V/8kV/3 32
No. 22-10 AWG⁴⁾ 600V 30/35
No. 20-10 AWG 600V 40
0.5-4 mm² 0.5-6 mm² 690V 14/27³⁾
6mm 9mm

	Type	Part No.	Std. Pack	Type	Part No.	Std. Pack	
Feed-through block	gray	WK 2,5/U	57.503.0055.0	100	WK 4/U	57.504.0055.0	100
Feed-through block Ex i	blue	WK 2,5/U BLAU	57.503.0055.6	100	WK 4/U BLAU	57.504.0055.6	100
Accessories							
1. Mounting rail TS 35, DIN rail 7.5 mm high	L=2 m	35 x 27 x 7,5 EN 60715	98.300.0000.0	1	35 x 27 x 7,5 EN 60715	98.300.0000.0	1
Mounting rail TS 35, DIN rail, 15 mm high	L=2 m	35 x 27 x 15 EN 60715	98.370.0000.0	1	35 x 27 x 15 EN 60715	98.370.0000.0	1
Mounting rail TS 32, G rail ²⁾	L=2 m	9006 EN 60715 G-32	98.190.0000.0	1	9006 EN 60715 G-32	98.190.0000.0	1
2. End clamp with U-foot ²⁾	10 mm wide	WE 1/U	Z5.523.5753.0	100	WE 1/U	Z5.523.5753.0	100
End clamp TS 35, with screw	8 mm wide	9708/2 S35	Z5.522.8553.0	100	9708/2 S35	Z5.522.8553.0	100
End clamp TS 35, without screw	8 mm wide	WEF 1/35	Z5.523.9353.0	100	WEF 1/35	Z5.523.9353.0	100
3. End plate	gray	AP 2,5 - 4	07.311.0155.0	10	AP 2,5 - 4	07.311.0155.0	10
	blue	AP 2,5 - 4 BLAU	07.311.0155.6	10	AP 2,5 - 4 BLAU	07.311.0155.6	10
4. Partition	gray	TW 2,5 - 4	07.311.1155.0	10	TW 2,5 - 4	07.311.1155.0	10
5. Cross connector with screws	2 pole	IVB WK 2,5 - 2	Z7.280.2227.0	10	IVB WK 4 - 2	Z7.281.1227.0	10
insulated	3 pole	IVB WK 2,5 - 3	Z7.280.2327.0	10	IVB WK 4 - 3	Z7.281.1327.0	10
	up to 12 pole	IVB WK 2,5 - 12	Z7.280.3227.0	10	IVB WK 4 - 12	Z7.281.2227.0	10
6. Partition plate with marking facility		TS 2,5 GELB	07.311.2053.8	10	TS 4 GELB	07.311.2153.8	10
7. Single cover with marking facility		AD VB 2,5 GELB	04.326.2053.8	10	AD VB 4 GELB	04.326.2153.8	10
8. Cover with warning symbol over 4 blocks		AD VB 5/4 GELB	04.343.4756.8	10	AD VB 6/4 GELB	04.343.4856.8	10
For more accessories see pages 62-79							
For marking systems see pages 72-77							

^{*)} For maintaining the proper isolation distances, the open side of a feed-through terminal block as well as both sides of a jumper are to be enclosed by partitions.
¹⁾ Please note the mounting instructions. ²⁾ Do not use in Ex environments. ³⁾ With/without jumper