

QPD W 4PE1,5 9-14 M25 0,5 BK - Panel feed-through



1414733

<https://www.phoenixcontact.com/us/products/1414733>

Please be informed that the data shown in this PDF document is generated from our online catalog. Please find the complete data in the user documentation. Our general terms of use for downloads are valid.



Panel feed-through, product family: QPD, connection method: Single wires/ IDC connection, number of positions: 4+PE, M25, Pin, 0.5 mm² ... 1.5 mm², 690 V, 17.5 A, PA, black, with QUICKON nut, coding: Coding profile, external cable diameter: 10 mm ... 14 mm, 1.5 mm², cable length: 0.5 m

Your advantages

- Innovative and time saving - QUICKON fast connection for time saving of up to 80 % for on-site connection
- Robust throughout: housing with IP68/IP69K and IK07 protection for a wide range of applications
- Safer connection with mechanical coding to protect against mismatching, and touch-proof protection in accordance with DIN EN 0105
- Efficient - by using panel feed-throughs, devices no longer need to be opened in order to connect cables

Commercial data

Item number	1414733
Packing unit	1 pc
Minimum order quantity	1 pc
Sales key	BF50
Product key	BF6ACA
Catalog page	Page 477 (C-2-2019)
GTIN	4055626033464
Weight per piece (including packing)	93.2 g
Weight per piece (excluding packing)	78 g
Customs tariff number	85444290
Country of origin	PL

QPD W 4PE1,5 9-14 M25 0,5 BK - Panel feed-through



1414733

<https://www.phoenixcontact.com/us/products/1414733>

Technical data

Product properties

Product type	Panel feed-through
Product family	QPD
Type	QPD 5x1,5
Number of positions	5
Connection profile	4+PE
Position marking	1, 2, 3, N, PE
Number of connections	10
Number of connections per position	1
Coding	Coding profile

Insulation characteristics

Overvoltage category	III
Degree of pollution	3

Connection data

Connection technology

Connection method On the device side	Single wires
Connection method On the field side	IDC connection
Frequency of connections between conductors of the same cross section	max. 10

Conductor connection

Conductor cross section flexibel	0.5 mm ² ... 1.5 mm ²
Conductor cross section solid	0.5 mm ² ... 1.5 mm ²
Connection cross section AWG	20 ... 16
Tightening torque Union nut	8 Nm
Tightening torque Locking nut	5 Nm

Dimensions

Dimensional drawing	
Width	30 mm
Height	30 mm
Length	64.7 mm
Diameter	30 mm

Electrical properties

Rated surge voltage (II/2)	8 kV
Rated surge voltage (III/2)	8 kV

1414733

<https://www.phoenixcontact.com/us/products/1414733>

Rated surge voltage (III/3)	6 kV
Rated current	17.5 A
Contact resistance	< 3 mΩ
rated voltage (II/2)	1000 V
rated voltage (III/2)	1000 V
Rated voltage (III/3)	690 V
Nominal voltage U_N	690 V AC
	690 V DC
Nominal current I_N	17.5 A

Mechanical properties

Mechanical data

Insertion/withdrawal cycles	max. 50
-----------------------------	---------

Material specifications

Color	black (RAL 9005)
Material Housing	PA
Material Contact	Cu
Material Contact surface	Silver-plated
Flammability rating according to UL 94	V0
Material wire insulation	PVC / PE / rubber / TPE

Cable/line

Cable length	0.5 m
Structure of individual litz in acc. with VDE 0295 / smallest wire diameter	VDE 0295 class 1 to 6/min. 0.15 mm
External cable diameter	10 mm ... 14 mm
Wire diameter including insulation	1.6 mm ... 3 mm
Position marking	1, 2, 3, N, PE
Single wire, color	black, brown, gray, blue, green/yellow
Cable cross section	1.5 mm ²
Material wire insulation	PVC/PE/TPE/rubber

Mounting

Mounting type	Front mounting M25
---------------	--------------------

Environmental and real-life conditions

Ambient conditions

Degree of protection	IP66
	IP68 (2 m / 24 h)
	IP69K
Ambient temperature (operation)	-40 °C ... 100 °C
Temperature when conductor connected	-5 °C ... 50 °C
Ambient temperature (storage/transport)	-40 °C ... 100 °C

QPD W 4PE1,5 9-14 M25 0,5 BK - Panel feed-through

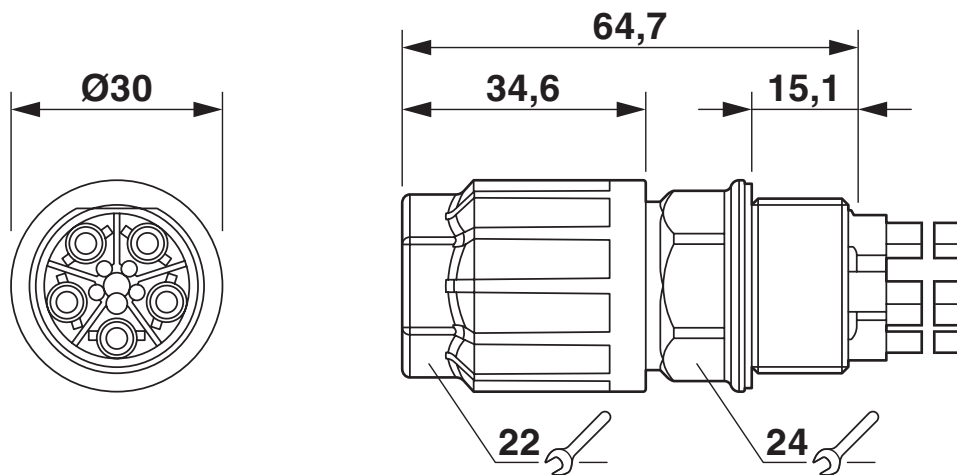


1414733

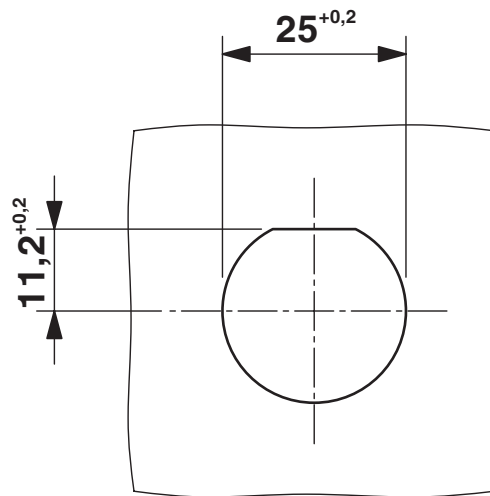
<https://www.phoenixcontact.com/us/products/1414733>

Drawings

Dimensional drawing



Dimensional drawing

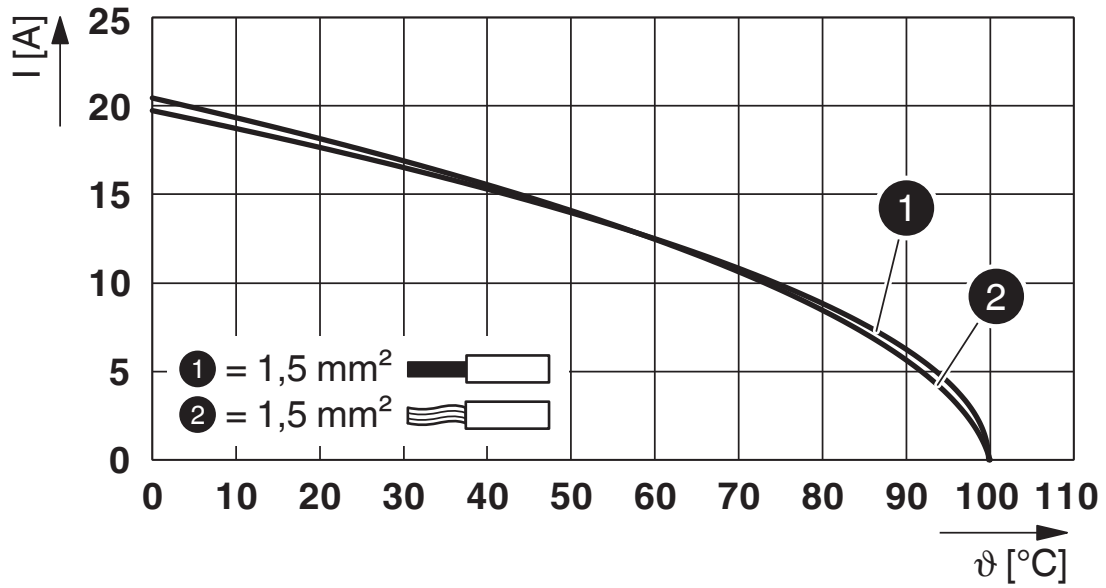


Panel cutout

1414733

<https://www.phoenixcontact.com/us/products/1414733>

Diagram



Derating diagram

1414733

<https://www.phoenixcontact.com/us/products/1414733>

Approvals

To download certificates, visit the product detail page: <https://www.phoenixcontact.com/us/products/1414733>



IECEE CB Scheme
Approval ID: DE1-65875



EAC
Approval ID: RU C-DE.BL08.B.00511



DNV GL
Approval ID: TAE00003J5



VDE Zeichengenehmigung
Approval ID: 40029149



UL Listed
Approval ID: E468743

	Nominal voltage U_N	Nominal current I_N	Cross section AWG	Cross section mm^2
	600 V	8 A	-	- 16



cUL Listed
Approval ID: E468743

	Nominal voltage U_N	Nominal current I_N	Cross section AWG	Cross section mm^2
	600 V	8 A	- 16	-

cULus Listed

1414733

<https://www.phoenixcontact.com/us/products/1414733>

Classifications

ECLASS

ECLASS-11.0	27440602
ECLASS-13.0	27440602
ECLASS-12.0	27440602

ETIM

ETIM 9.0	EC002566
----------	----------

UNSPSC

UNSPSC 21.0	39121500
-------------	----------

1414733

<https://www.phoenixcontact.com/us/products/1414733>

Environmental product compliance

EU RoHS

Fulfills EU RoHS substance requirements	Yes, No exemptions
---	--------------------

China RoHS

Environment friendly use period (EFUP)	EFUP-E
	No hazardous substances above the limits

EU REACH SVHC

REACH candidate substance (CAS No.)	No substance above 0.1 wt%
-------------------------------------	----------------------------

QPD W 4PE1,5 9-14 M25 0,5 BK - Panel feed-through



1414733

<https://www.phoenixcontact.com/us/products/1414733>

Accessories

CP-QPD 5X1,5 - Coding profile

1414760

<https://www.phoenixcontact.com/us/products/1414760>



Coding profile red, for pushing into the QUICKON dome and connector, can be positioned in 90° steps.

SEALING PLUG 10X16 RD - Closing cap

1400284

<https://www.phoenixcontact.com/us/products/1400284>



Closing cap, for threads pluggable, color: red

QPD W 4PE1,5 9-14 M25 0,5 BK - Panel feed-through



1414733

<https://www.phoenixcontact.com/us/products/1414733>

QPD QSK 5X1,5 - Protective cap

1414758

<https://www.phoenixcontact.com/us/products/1414758>

Protective cap plastic, for QPD-QUICKON connection 5x 1.5 mm², IP50



QPD QSK BK 5X1,5 FS - Protective cap

1414728

<https://www.phoenixcontact.com/us/products/1414728>

Protective cap, plastic, for QUICKON connection, black, with retaining cord, IP68



QPD W 4PE1,5 9-14 M25 0,5 BK - Panel feed-through



1414733

<https://www.phoenixcontact.com/us/products/1414733>

Q-MU M25 - Nut

1640715

<https://www.phoenixcontact.com/us/products/1640715>

Nut (plastic) to lock the contact carrier from the inside of the device



QPD W 4PE1,5 9-14 M25 1,0 BK - Panel feed-through

1414734

<https://www.phoenixcontact.com/us/products/1414734>



Panel feed-through, product family: QPD, connection method: Single wires/ IDC connection, number of positions: 4+PE, M25, Pin, 0.5 mm² ... 1.5 mm², 690 V, 17.5 A, PA, black, with QUICKON nut, coding: Coding profile, external cable diameter: 10 mm ... 14 mm, 1.5 mm², cable length: 1 m

QPD W 4PE1,5 9-14 M25 0,5 BK - Panel feed-through

1414733

<https://www.phoenixcontact.com/us/products/1414733>



QPD W 4PE1,5 9-14 M25 FC BK - Panel feed-through

1414735

<https://www.phoenixcontact.com/us/products/1414735>



Panel feed-through, product family: QPD, connection method: Spade connection (For slip-on sleeves according to DIN 46247-2)/ IDC connection, number of positions: 4+PE, M25, Pin, 0.5 mm² ... 1.5 mm², 690 V, 17.5 A, PA, black, with QUICKON nut, coding: Coding profile, external cable diameter: 10 mm ... 14 mm, 1.5 mm²

QPD C 4PE1,5 1X9-14 BK - Conductor connectors

1414741

<https://www.phoenixcontact.com/us/products/1414741>



Conductor connectors, product family: QPD, connection method: IDC connection, number of positions: 4+PE, 0.5 mm² ... 1.5 mm², 690 V, 17.5 A, PA, black, with one QUICKON nut, coding: Coding profile, external cable diameter: 10 mm ... 14 mm

QPD W 4PE1,5 9-14 M25 0,5 BK - Panel feed-through



1414733

<https://www.phoenixcontact.com/us/products/1414733>

QPD C 4PE1,5 2X9-14 BK - Conductor connectors

1414742

<https://www.phoenixcontact.com/us/products/1414742>



Conductor connectors, product family: QPD, connection method: IDC connection, number of positions: 4+PE, 0.5 mm² ... 1.5 mm², 690 V, 17.5 A, PA, black, With two QUICKON nuts, coding: Coding profile, external cable diameter: 10 mm ... 14 mm

QPD T 4PE1,5 2X9-14 BK - T distributor

1414752

<https://www.phoenixcontact.com/us/products/1414752>



T distributor, product family: QPD, connection method: IDC connection, number of positions: 4+PE, 0.5 mm² ... 1.5 mm², 690 V, 17.5 A, PA, black, With two QUICKON nuts, coding: Coding profile, external cable diameter: 10 mm ... 14 mm

QPD W 4PE1,5 9-14 M25 0,5 BK - Panel feed-through



1414733

<https://www.phoenixcontact.com/us/products/1414733>

QPD T 4PE1,5 3X9-14 BK - T distributor

1414754

<https://www.phoenixcontact.com/us/products/1414754>



T distributor, product family: QPD, connection method: IDC connection, number of positions: 4+PE, 0.5 mm² ... 1.5 mm², 690 V, 17.5 A, PA, black, With three QUICKON nuts, coding: Coding profile, external cable diameter: 10 mm ... 14 mm

QPD H 4PE1,5 4X9-14 BK - H distributor

1414756

<https://www.phoenixcontact.com/us/products/1414756>



H distributor, product family: QPD, connection method: IDC connection, number of positions: 4+PE, 0.5 mm² ... 1.5 mm², 690 V, 17.5 A, PA, black, with four QUICKON nuts, coding: Coding profile, external cable diameter: 10 mm ... 14 mm, with a sealing bolt

QPD W 4PE1,5 9-14 M25 0,5 BK - Panel feed-through



1414733

<https://www.phoenixcontact.com/us/products/1414733>

QPD N 4PE1,5 9-14 BK - Nut

1415104

<https://www.phoenixcontact.com/us/products/1415104>



Nut, product family: QPD, connection method: IDC connection, number of positions: 4+PE, 0.5 mm² ... 1.5 mm², 690 V, 17.5 A, PA, black, external cable diameter: 10 mm ... 14 mm

QPD P 4PE1,5 9-14 BK - Connector

1414750

<https://www.phoenixcontact.com/us/products/1414750>



Connector, product family: QPD, connection method: IDC connection, number of positions: 4+PE, 0.5 mm² ... 1.5 mm², 690 V, 17.5 A, PA, black, with QUICKON nut, coding: Coding profile, external cable diameter: 10 mm ... 14 mm

QPD W 4PE1,5 9-14 M25 0,5 BK - Panel feed-through



1414733

<https://www.phoenixcontact.com/us/products/1414733>

QSS 22 - Socket wrench

1670206

<https://www.phoenixcontact.com/us/products/1670206>



Allen wrench, for loosening and fastening the QUICKON union nut, WAF 22 mm

Phoenix Contact 2024 © - all rights reserved

<https://www.phoenixcontact.com>

Phoenix Contact USA
586 Fulling Mill Road
Middletown, PA 17057, United States
(+717) 944-1300
info@phoenixcon.com