

SUMMARY

Wires



Image is for illustrative purpose only

Series	2B
Termination type	No contacts / Accessory
IP rating	61
AWG wire size	0.00 - 0.00
Cable Ø	0.00 - 0.00 mm
Status	active

Download

[Request a quote](#)

[Catalog](#)

TECHNICAL DETAILS

Mechanics

Shell Style/Model	BRA*: Cap for receptacle
Keying	No keying
Housing Material	POM (Polyoxymethylene) shell without treatment, silicone gasket
Weight	1.24 g

Performance

Configuration
Insulator
Rated Current

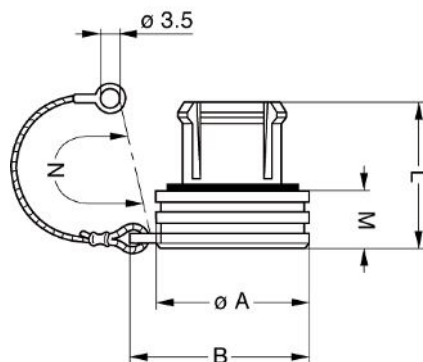
Others

Endurance (Shell): 5000
Temp (min / max): -55° C / +100° C
Humidity (max): <=95% [at 60 deg C / 140 F]
Vibration: 15 g [10 Hz - 2000 Hz]
Shock Resistance: 100 g [6 ms]

LEMO products and services are provided "as is". LEMO makes no warranties or representations with regard to LEMO product & services or use of them, express, implied or statutory, including for accuracy, completeness, or security. The user is fully responsible for his products and applications using LEMO components.

Climatical Category: 50/175/21
Shielding (min): 75 dB (10 MHz)
Shielding (min): 40 dB (1 GHz)

DRAWINGS



No keying

Dimensions

	A	B	L	M	N
mm.	18	21	14.5	6	60
in.	0,71	0,83	0,57	0,24	2,36

RECOMMENDED BY LEMO

Tools

LEMO products and services are provided "as is". LEMO makes no warranties or representations with regard to LEMO product & services or use of them, express, implied or statutory, including for accuracy, completeness, or security. The user is fully responsible for his products and applications using LEMO components.

Mouser Electronics

Authorized Distributor

Click to View Pricing, Inventory, Delivery & Lifecycle Information:

[LEMO:](#)

[BRA.2B.200.PCSG](#)