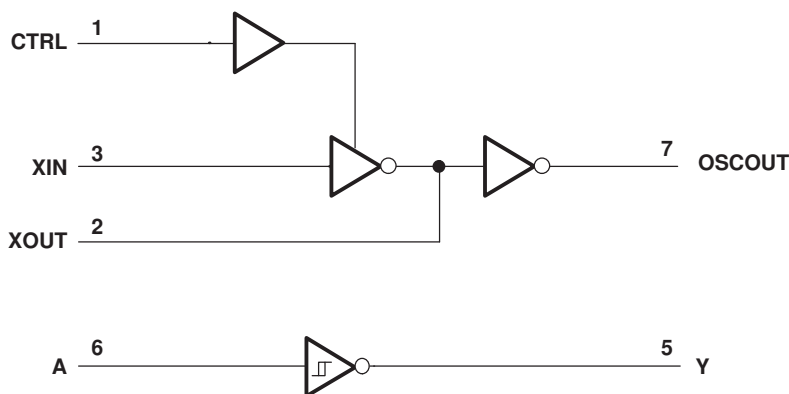


SN74LVC1404 Oscillator Driver for Crystal Oscillator or Ceramic Resonator

1 Features

- Available in the Texas Instruments NanoFree™ package
- Supports 5-V V_{CC} operation
- Inputs accept voltages to 5.5 V
- One buffered inverter with Schmitt-trigger input and two unbuffered inverters
- Integrated solution for oscillator applications
- Suitable for commonly used clock frequencies:
 - 15 kHz, 3.58 MHz, 4.43 MHz, 13 MHz, 25 MHz, 26 MHz, 27 MHz, 28 MHz
- Control input to disable the oscillator circuit
- Low power consumption (10- μ A Max I_{CC}) in standby state
- ± 24 -mA Output Drive at 3.3 V
- I_{off} supports live insertion, partial-power-down mode, and back-drive protection
- Latch-up performance exceeds 100 mA Per JESD 78, Class II
- ESD protection exceeds JESD 22
 - 2000-V Human-body model (A114-A)
 - 200-V Machine model (A115-A)
 - 1000-V Charged-device model (C101)

4 Simplified Schematic



2 Applications

- Servers
- PCs and notebooks
- Network switches
- Wearable health and fitness devices
- Telecom infrastructures
- Electronic points-of-sale

3 Description

The SN74LVC1404 device consists of one inverter with a Schmitt-trigger input and two unbuffered inverters. It is designed for 1.65-V to 5.5-V V_{CC} operation.

Device Information⁽¹⁾

PART NUMBER	PACKAGE	BODY SIZE (NOM)
SN74LVC1404DCT	SM8 (8)	2.95 mm x 2.80 mm
SN74LVC1404DCU	VSSOP (8)	2.30 mm x 2.00 mm
SN74LVC1404YZP	DSBGA (8)	1.88 mm x 0.88 mm

(1) For all available packages, see the orderable addendum at the end of the data sheet.



Table of Contents

1 Features	1	9 Detailed Description	10
2 Applications	1	9.1 Overview	10
3 Description	1	9.2 Functional Block Diagram	10
4 Simplified Schematic	1	9.3 Feature Description	10
5 Revision History	2	9.4 Device Functional Modes	11
6 Pin Configuration and Functions	3	10 Application and Implementation	12
7 Specifications	4	10.1 Application Information	12
7.1 Absolute Maximum Ratings	4	10.2 Typical Application	12
7.2 ESD Ratings	4	11 Power Supply Recommendations	17
7.3 Recommended Operating Conditions	5	12 Layout	17
7.4 Thermal Information	5	12.1 Layout Guidelines	17
7.5 Electrical Characteristics	6	12.2 Layout Example	17
7.6 Switching Characteristics, $C_L = 15$ pF	7	13 Device and Documentation Support	18
7.7 Switching Characteristics, $C_L = 30$ pF or 50 pF	7	13.1 Trademarks	18
7.8 Operating Characteristics	7	13.2 Electrostatic Discharge Caution	18
7.9 Typical Characteristics	7	13.3 Glossary	18
8 Parameter Measurement Information	8	14 Mechanical, Packaging, and Orderable Information	18

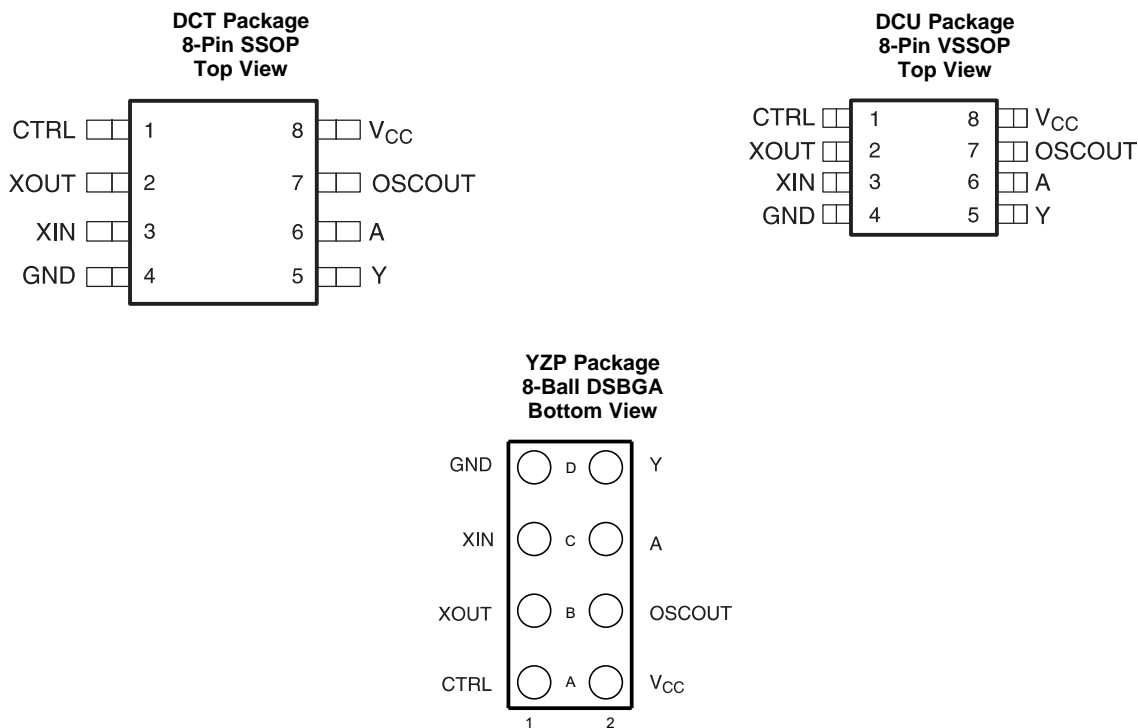
5 Revision History

NOTE: Page numbers for previous revisions may differ from page numbers in the current version.

Changes from Revision E (June 2014) to Revision F	Page
• Formatted pinout figures for search capability	3
• Corrected pin numbering for the DSBGA package to match the mechanical drawing	3
• Changed ESD Ratings table format to comply with JEDEC standards	4
• Added YZP T_A MIN /MAX specs and package thermal information	5

Changes from Revision D (January 2007) to Revision E	Page
• Updated document to new TI data sheet format	1
• Removed Ordering Information table.	1
• Added Applications	1
• Added Device Information table.	1
• Added Handling Ratings table.	4
• Changed MAX ambient temperature to 125°C	5
• Added Thermal Information table.	5
• Added Typical Characteristics.	7

6 Pin Configuration and Functions



See mechanical drawings for dimensions.

Drawings not to scale

Pin Functions

PIN NO.			I/O	DESCRIPTION
DCT/DCU	YZP	NAME		
1	A1	CTRL	I	OSC Control
2	B1	XOUT	O	Crystal Connection Out
3	C1	XIN	I	Crystal Connection In
4	D1	GND	—	Ground
5	D2	Y	O	Schmitt Trigger Output
6	C2	A	I	Schmitt Trigger Input
7	B2	OSCOUT	O	Oscillator Output
8	A2	VCC	—	Power Supply

7 Specifications

7.1 Absolute Maximum Ratings⁽¹⁾

over operating free-air temperature range (unless otherwise noted)

			MIN	MAX	UNIT
V _{CC}	Supply voltage range		-0.5	6.5	V
V _I	Input voltage range ⁽²⁾	XIN, A, CTRL inputs	-0.5	6.5	V
V _O	Voltage range applied to any output in the high-impedance or power-off state ⁽²⁾		-0.5	6.5	V
V _O	Voltage range applied to any output in the high or low state ⁽²⁾⁽³⁾		-0.5	V _{CC} + 0.5	V
I _{IK}	Input clamp current	V _I < 0		-50	mA
I _{OK}	Output clamp current	V _O < 0		-50	mA
I _O	Continuous output current			±50	mA
	Continuous current through V _{CC} or GND			±100	mA
T _{stg}	Storage Temperature Range		-65	150	°C
T _J	Junction Temperature			150	°C

- (1) Stresses beyond those listed under *Absolute Maximum Ratings* may cause permanent damage to the device. These are stress ratings only, and functional operation of the device at these or any other conditions beyond those indicated under *Recommended Operating Conditions* is not implied. Exposure to absolute-maximum-rated conditions for extended periods may affect device reliability.
- (2) The input and output negative-voltage ratings may be exceeded if the input and output current ratings are observed.
- (3) The value of V_{CC} is provided in the *Recommended Operating Conditions* table.

7.2 ESD Ratings

			MAX	UNIT
V _(ESD)	Electrostatic discharge	Human body model (HBM), per ANSI/ESDA/JEDEC JS-001, all pins ⁽¹⁾	±2000	V
		Charged device model (CDM), per JEDEC specification JESD22-C101, all pins ⁽²⁾	±1000	

- (1) JEDEC document JEP155 states that 500-V HBM allows safe manufacturing with a standard ESD control process.
- (2) JEDEC document JEP157 states that 250-V CDM allows safe manufacturing with a standard ESD control process.

7.3 Recommended Operating Conditions

 over operating free-air temperature range (unless otherwise noted)⁽¹⁾

		MIN	MAX	UNIT	
V _{CC}	Supply voltage	Operating	1.65	5.5	V
		Data retention only	1.5		
V _I	Input voltage (XIN, CTRL, A inputs)	0	5.5	V	
V _O	Output voltage (XOUT, OSCOUT, Y outputs)	0	V _{CC}	V	
I _{OH}	High-level output current (OSCOUT, XOUT, Y outputs)	V _{CC} = 1.65 V		–4	mA
		V _{CC} = 2.3 V		–8	
		V _{CC} = 3 V		–16	
		V _{CC} = 4.5 V		–24	
I _{OL}	Low-level output current (OSCOUT, XOUT, Y outputs)	V _{CC} = 1.65 V		4	mA
		V _{CC} = 2.3 V		8	
		V _{CC} = 3 V		16	
		V _{CC} = 4.5 V		24	
I _{OL} ⁽²⁾	Low-level output current (XOUT)	V _{CC} = 1.65 V		2	mA
Δt/Δv	Input transition rise and fall time (CTRL input)	V _{CC} = 1.8 V ± 0.15 V		20	ns/V
		V _{CC} = 2.5 V ± 0.2 V		20	
		V _{CC} = 3.3 V ± 0.3 V		10	
		V _{CC} = 5 V ± 0.5 V		5	
T _A	Operating free-air temperature	DCU, DCT	–40	125	°C
		YZP	–40	85	

(1) All unused inputs of the device must be held at V_{CC} or GND to ensure proper device operation. Refer to the TI application report, *Implications of Slow or Floating CMOS Inputs*, literature number [SCBA004](#).

(2) CTRL = Low, XIN = GND

7.4 Thermal Information

THERMAL METRIC ⁽¹⁾		DCT	DCU	YZP	UNIT
		8 PINS	8 PINS	8 BALLS	
R _{θJA}	Junction-to-ambient thermal resistance	184.8	198.4	97.5	°C/W
R _{θJC(top)}	Junction-to-case (top) thermal resistance	115.3	73.5	1.1	
R _{θJB}	Junction-to-board thermal resistance	97.3	77.1	26.3	
ψ _{JT}	Junction-to-top characterization parameter	40.9	6.1	0.5	
ψ _{JB}	Junction-to-board characterization parameter	96.3	76.7	26.2	

(1) For more information about traditional and new thermal metrics, see the *IC Package Thermal Metrics* application report, [SPRA953](#).

7.5 Electrical Characteristics

over recommended operating free-air temperature range (unless otherwise noted)

PARAMETER		TEST CONDITIONS		V _{CC}	MIN	TYP ⁽¹⁾	MAX	UNIT
V _{T+} Positive-going threshold	A input			1.65 V	0.79		1.16	V
				2.3 V	1.11		1.56	
				3 V	1.5		1.87	
				4.5 V	2.16		2.74	
				5.5 V	2.61		3.33	
V _{T-} Negative-going threshold	A input			1.65 V	0.39		0.62	V
				2.3 V	0.58		0.87	
				3 V	0.84		1.14	
				4.5 V	1.41		1.79	
				5.5 V	1.87		2.29	
ΔV _T hysteresis (V _{T+} – V _{T-})	A input			1.65 V	0.37		0.62	V
				2.3 V	0.48		0.77	
				3 V	0.56		0.87	
				4.5 V	0.71		1.04	
				5.5 V	0.71		1.11	
V _{OH} ⁽²⁾			I _{OH} = –100 μA	1.65 V to 5.5 V	V _{CC} – 0.1			V
			I _{OH} = –4 mA	1.65 V	1.2			
			I _{OH} = –8 mA	2.3 V	1.9			
			I _{OH} = –16 mA	3 V	2.4			
			I _{OH} = –24 mA	3 V	2.3			
			I _{OH} = –32 mA	4.5 V	3.8			
V _{OL} ⁽²⁾			I _{OL} = 100 μA	1.65 V to 5.5 V			0.1	V
			I _{OL} = 4 mA	1.65 V			0.45	
			I _{OL} = 8 mA	2.3 V			0.3	
			I _{OL} = 16 mA	3 V			0.4	
			I _{OL} = 24 mA	3 V			0.55	
			I _{OL} = 32 mA	4.5 V			0.55	
V _{OL}	XOUT			I _{OL} = 100 μA	1.65 V to 5.5 V		0.1	V
				I _{OL} = 2 mA	1.65 V		0.65	
I _I	All inputs	V _I = 5.5 V or GND		0 to 5.5 V			±5	μA
I _{off}	Y output	V _I or V _O = 0 to 5.5 V		0			±10	μA
I _{CC}			V _I = V _{CC} or GND, I _O = 0	1.65 V to 5.5 V			10	μA
ΔI _{CC}	CTRL and A inputs	One input at V _{CC} – 0.6 V, Other inputs at V _{CC} or GND		3 V to 5.5 V			500	μA
C _i	CTRL and A inputs	V _I = V _{CC} or GND		3.3 V			3.5	pF
	XIN						6	

 (1) All typical values are at V_{CC} = 3.3 V, T_A = 25°C.

 (2) V_{IL} = 0 V and V_{IH} = V_{CC} for XOUT and OSCOUT; the standard V_{T+} and V_{T-} levels should be applied for the Y output.

7.6 Switching Characteristics, $C_L = 15 \text{ pF}$

over recommended operating free-air temperature range (unless otherwise noted) (see Figure 2)

PARAMETER	FROM (INPUT)	TO (OUTPUT)	$V_{CC} = 1.8 \text{ V} \pm 0.15 \text{ V}$		$V_{CC} = 2.5 \text{ V} \pm 0.2 \text{ V}$		$V_{CC} = 3.3 \text{ V} \pm 0.3 \text{ V}$		$V_{CC} = 5 \text{ V} \pm 0.5 \text{ V}$		UNIT
			MIN	MAX	MIN	MAX	MIN	MAX	MIN	MAX	
t_{pd}	A	Y	2.8	15.1	1.6	5.7	1.5	4.6	0.9	4.4	ns
	XIN	XOUT	1.7	9.6	1	3.2	1.1	2.4	0.9	1.8	
		OSCOUT	2.6	17.2	2	5.6	2	4.1	1.5	3.2	
	CTRL	XOUT	3	28.2	1.8	14.4	1.5	12.2	1.1	10.2	

7.7 Switching Characteristics, $C_L = 30 \text{ pF}$ or 50 pF

over recommended operating free-air temperature range (unless otherwise noted) (see Figure 3)

PARAMETER	FROM (INPUT)	TO (OUTPUT)	$V_{CC} = 1.8 \text{ V} \pm 0.15 \text{ V}$		$V_{CC} = 2.5 \text{ V} \pm 0.2 \text{ V}$		$V_{CC} = 3.3 \text{ V} \pm 0.3 \text{ V}$		$V_{CC} = 5 \text{ V} \pm 0.5 \text{ V}$		UNIT
			MIN	MAX	MIN	MAX	MIN	MAX	MIN	MAX	
t_{pd}	A	Y	3	17.3	1.8	7.4	1.8	6.4	1	5.3	ns
	XIN	XOUT	1.2	15.8	0.8	5.8	1	5.4	0.6	4.6	
		OSCOUT	3.5	25.7	2.6	7.1	2.8	7.8	2	6.7	
	CTRL	XOUT	3.3	24.5	2.1	12	1.9	12.7	1.1	11.2	

7.8 Operating Characteristics

$T_A = 25^\circ\text{C}$

PARAMETER	TEST CONDITIONS	$V_{CC} = 1.8 \text{ V}$	$V_{CC} = 2.5 \text{ V}$	$V_{CC} = 3.3 \text{ V}$	$V_{CC} = 5 \text{ V}$	UNIT
		TYP	TYP	TYP	TYP	
C_{pd} Power dissipation capacitance	$f = 10 \text{ MHz}$	25	26	29	39	pF

7.9 Typical Characteristics

Figure 1 shows the open-loop-gain characteristics of the unbuffered inverter of the LVC1404 (that is, between XIN and XOUT). The device provides a high gain over a wide range of frequencies.

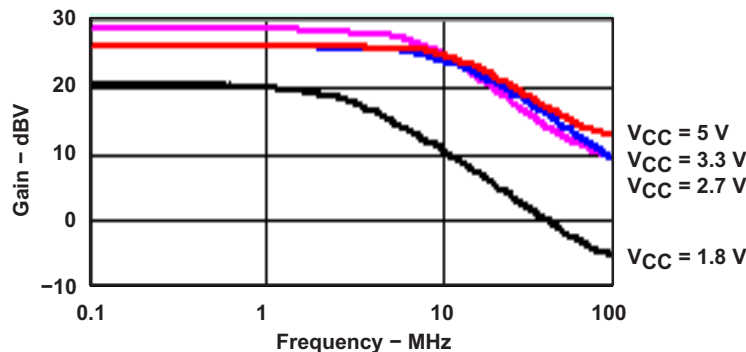
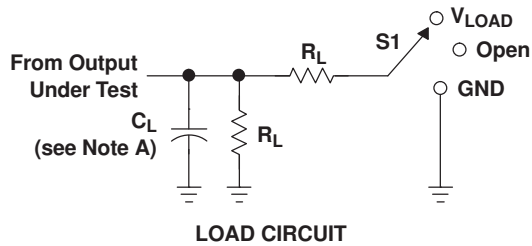


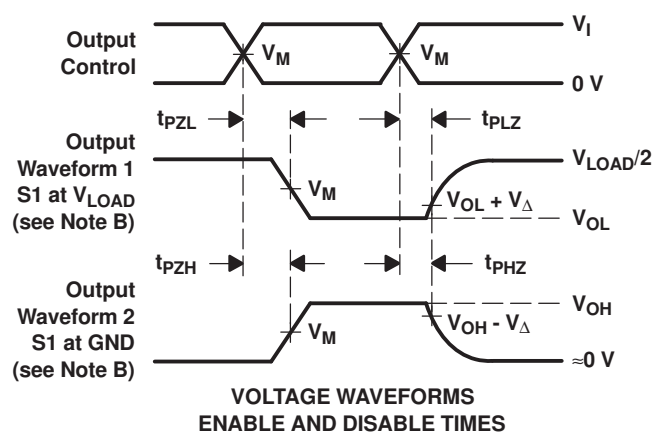
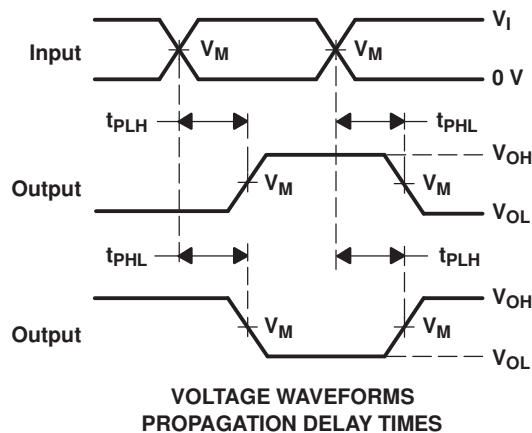
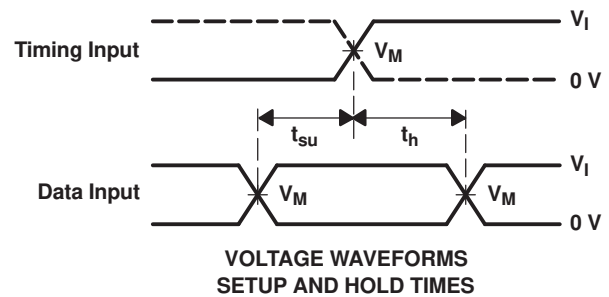
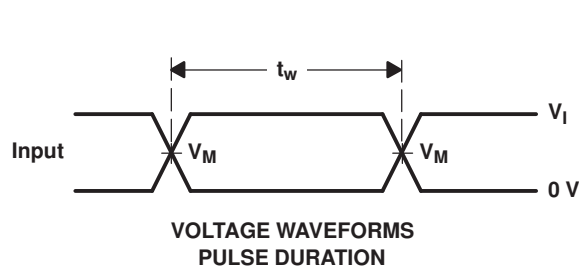
Figure 1. Open-Loop-Gain Characteristics

8 Parameter Measurement Information



TEST	S1
t_{PLH}/t_{PHL}	Open
t_{PLZ}/t_{PZL}	V_{LOAD}
t_{PHZ}/t_{PZH}	GND

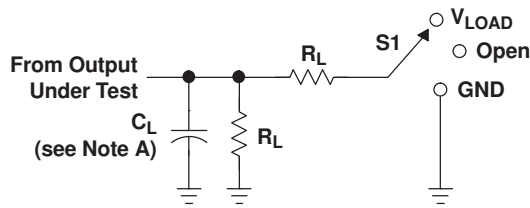
V_{CC}	INPUTS		V_M	V_{LOAD}	C_L	R_L (Except t_{pZ})	R_L (t_{pZ})	V_{Δ}
	V_I	t_r/t_f						
$1.8\text{ V} \pm 0.15\text{ V}$	V_{CC}	$\leq 2\text{ ns}$	$V_{CC}/2$	$2 \times V_{CC}$	15 pF	1 M Ω	1 k Ω	0.15 V
$2.5\text{ V} \pm 0.2\text{ V}$	V_{CC}	$\leq 2\text{ ns}$	$V_{CC}/2$	$2 \times V_{CC}$	15 pF	1 M Ω	1 k Ω	0.15 V
$3.3\text{ V} \pm 0.3\text{ V}$	3 V	$\leq 2.5\text{ ns}$	1.5 V	6 V	15 pF	1 M Ω	1 k Ω	0.3 V
$5\text{ V} \pm 0.5\text{ V}$	V_{CC}	$\leq 2.5\text{ ns}$	$V_{CC}/2$	$2 \times V_{CC}$	15 pF	1 M Ω	1 k Ω	0.3 V



- NOTES:
- A. C_L includes probe and jig capacitance.
 - B. Waveform 1 is for an output with internal conditions such that the output is low, except when disabled by the output control. Waveform 2 is for an output with internal conditions such that the output is high, except when disabled by the output control.
 - C. All input pulses are supplied by generators having the following characteristics: $PRR \leq 10\text{ MHz}$, $Z_O = 50\ \Omega$.
 - D. The outputs are measured one at a time, with one transition per measurement.
 - E. t_{PLZ} and t_{PHZ} are the same as t_{dis} .
 - F. t_{PZL} and t_{PZH} are the same as t_{en} .
 - G. t_{PLH} and t_{PHL} are the same as t_{pd} .
 - H. All parameters and waveforms are not applicable to all devices.

Figure 2. Load Circuit and Voltage Waveforms

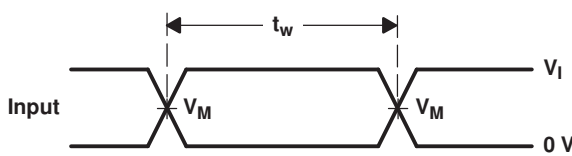
Parameter Measurement Information (continued)



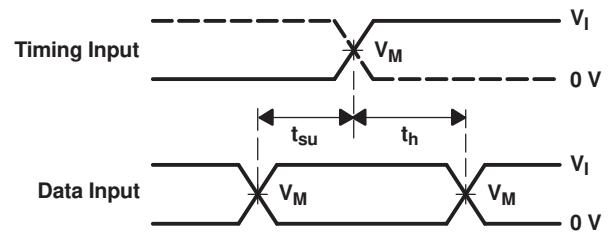
LOAD CIRCUIT

TEST	S1
t_{PLH}/t_{PHL}	Open
t_{PLZ}/t_{PZL}	V_{LOAD}
t_{PHZ}/t_{PZH}	GND

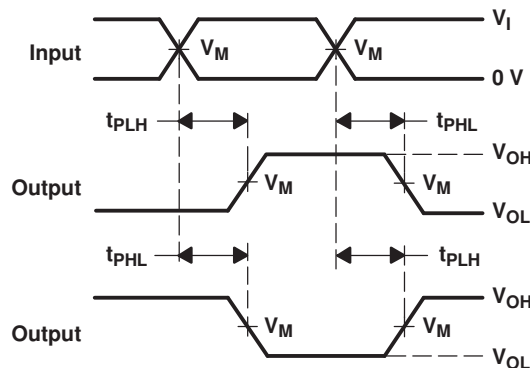
V_{CC}	INPUTS		V_M	V_{LOAD}	C_L	R_L	V_{Δ}
	V_I	t_r/t_f					
$1.8\text{ V} \pm 0.15\text{ V}$	V_{CC}	$\leq 2\text{ ns}$	$V_{CC}/2$	$2 \times V_{CC}$	30 pF	1 k Ω	0.15 V
$2.5\text{ V} \pm 0.2\text{ V}$	V_{CC}	$\leq 2\text{ ns}$	$V_{CC}/2$	$2 \times V_{CC}$	30 pF	500 Ω	0.15 V
$3.3\text{ V} \pm 0.3\text{ V}$	3 V	$\leq 2.5\text{ ns}$	1.5 V	6 V	50 pF	500 Ω	0.3 V
$5\text{ V} \pm 0.5\text{ V}$	V_{CC}	$\leq 2.5\text{ ns}$	$V_{CC}/2$	$2 \times V_{CC}$	50 pF	500 Ω	0.3 V



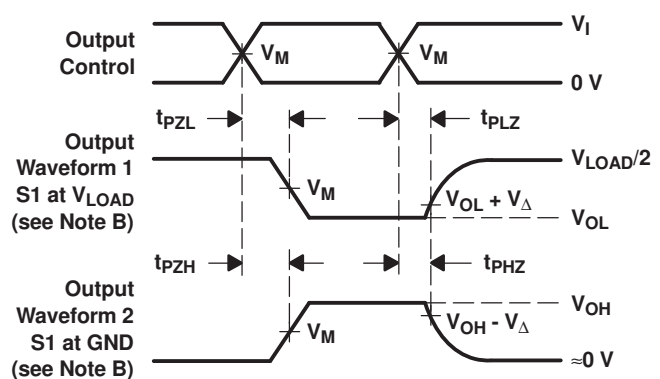
VOLTAGE WAVEFORMS PULSE DURATION



VOLTAGE WAVEFORMS SETUP AND HOLD TIMES



VOLTAGE WAVEFORMS PROPAGATION DELAY TIMES



VOLTAGE WAVEFORMS ENABLE AND DISABLE TIMES

- NOTES:
- A. C_L includes probe and jig capacitance.
 - B. Waveform 1 is for an output with internal conditions such that the output is low, except when disabled by the output control. Waveform 2 is for an output with internal conditions such that the output is high, except when disabled by the output control.
 - C. All input pulses are supplied by generators having the following characteristics: $PRR \leq 10\text{ MHz}$, $Z_O = 50\ \Omega$.
 - D. The outputs are measured one at a time, with one transition per measurement.
 - E. t_{PLZ} and t_{PHZ} are the same as t_{dis} .
 - F. t_{PZL} and t_{PZH} are the same as t_{en} .
 - G. t_{PLH} and t_{PHL} are the same as t_{pd} .
 - H. All parameters and waveforms are not applicable to all devices.

Figure 3. Load Circuit and Voltage Waveforms

9 Detailed Description

9.1 Overview

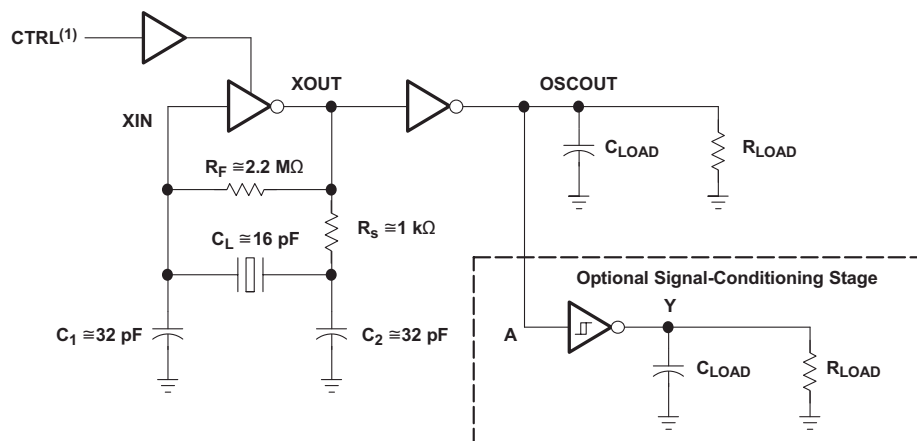
The SN74LVC1404 device consists of one inverter with a Schmitt-trigger input and two unbuffered inverters. It is designed for 1.65-V to 5.5-V V_{CC} operation.

XIN and XOUT pins can be connected to a crystal or resonator in oscillator applications. The SN74LVC1404 device provides an additional unbuffered inverter (OSCOUT) and a Schmitt-trigger input inverter for signal conditioning (see the [Functional Block Diagram](#)). The control (CTRL) input disables the oscillator circuit to reduce power consumption. The oscillator circuit is disabled and the XOUT output is set to low level when CTRL is low. To ensure the oscillator circuit remains disabled during power up or power down, CTRL should be connected to GND through a pull-down resistor. The minimum value of the resistor is determined by the current-sourcing capability of the driver.

This device is fully specified for partial-power-down applications using I_{off} . The I_{off} circuitry disables the outputs, preventing damaging current backflow through the device when it is powered down.

NanoFree™ package technology is a major breakthrough in IC packaging concepts, using the die as the package.

9.2 Functional Block Diagram



9.3 Feature Description

- Wide operating voltage range
 - Operates from 1.65 V to 5.5 V
- Has buffered output and un-buffered output from oscillator
- Schmitt-trigger buffer
 - Allows for extra buffering of the oscillator output
- I_{off} feature
 - Allows voltages on the inputs and outputs when V_{CC} is 0 V

9.4 Device Functional Modes

Table 1. Function Table

INPUTS		OUTPUTS	
CTRL	XIN	XOUT	OSCOUT
H	L	H	L
H	H	L	H
L	X	L	H

Table 2. Function Table

INPUT A	OUTPUT Y
L	H
H	L

10 Application and Implementation

10.1 Application Information

Figure 4 shows a typical application of the SN74LVC1404 device in a Pierce oscillator circuit. The output voltage can be conditioned further by connecting OSCOUT to the Schmitt-trigger input inverter. The Schmitt-trigger input inverter produces a rail-to-rail voltage waveform. The recommended load for the crystal, shown in this example, is 16 pF. The value of the recommended load (C_L) can be found in the crystal manufacturer's data sheet. Values

of C_1 and C_2 are chosen so that
$$C_L = \frac{C_1 C_2}{C_1 + C_2}$$
 and $C_1 \neq C_2$. R_S is the current-limiting resistor, and the value depends on the maximum power dissipation of the crystal. Generally, the recommended value of R_S is specified in the crystal manufacturer's data sheet and, usually, this value is approximately equal to the reactance of C_2 at resonance frequency, that is, $R_S = X_{C_2}$. R_F is the feedback resistor that is used to bias the inverter in the linear region of operation. Usually, the value is chosen to be within 1 M Ω to 10 M Ω .

10.2 Typical Application

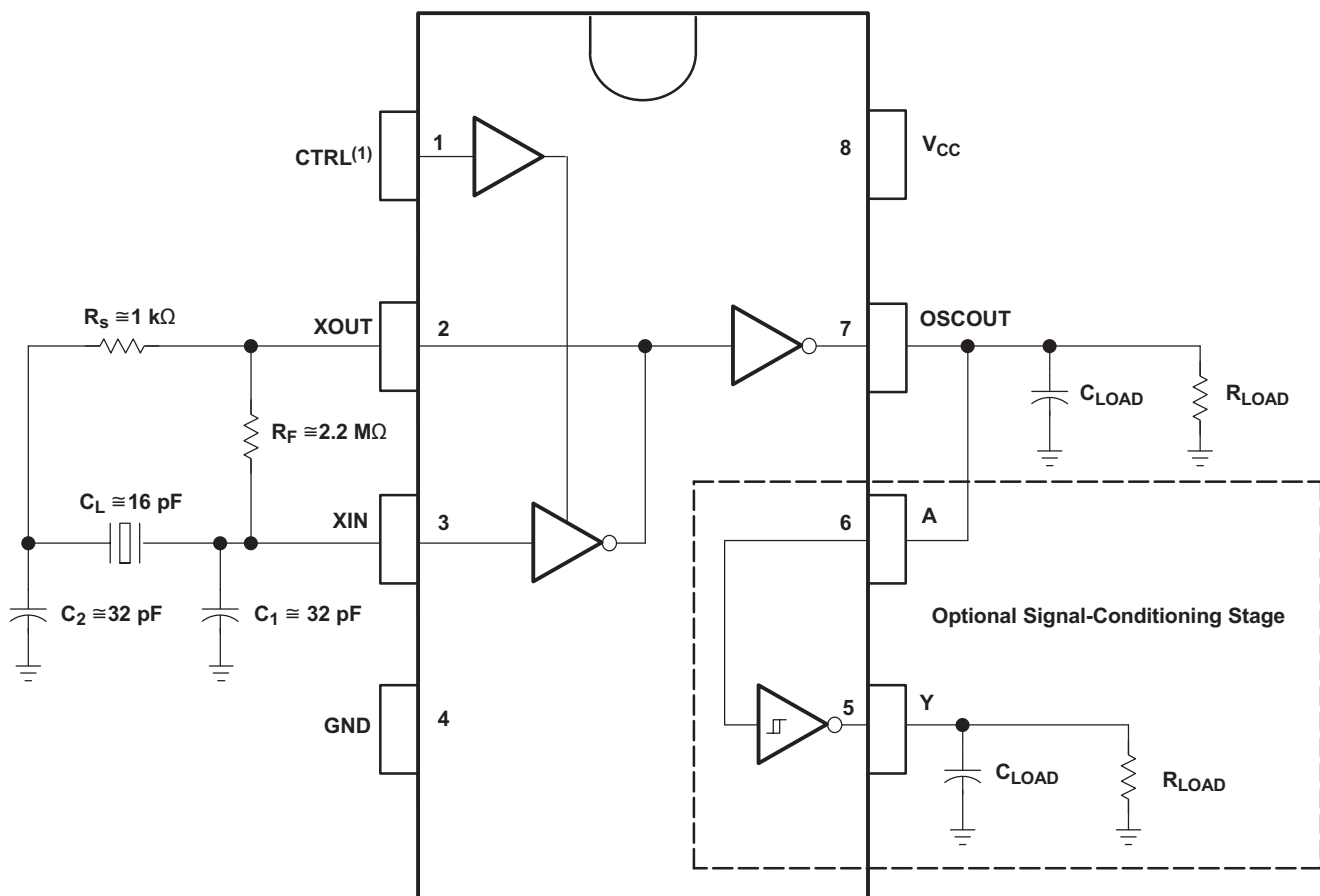


Figure 4. Typical Application Diagram

Typical Application (continued)

10.2.1 Design Requirements

- The open-loop gain of the unbuffered inverter decreases as power-supply voltage decreases. This decreases the closed-loop gain of the oscillator circuit. The value of R_s can be decreased to increase the closed-loop gain, while maintaining the power dissipation of the crystal within the maximum limit.
- R_s and C_2 form a low-pass filter and reduce spurious oscillations. Component values can be adjusted, based on the desired cutoff frequency.
- C_2 can be increased over C_1 to increase the phase shift and help in start-up of the oscillator. Increasing C_2 may affect the duty cycle of the output voltage.
- At high frequency, phase shift due to R_s becomes significant. In this case, R_s can be replaced by a capacitor to reduce the phase shift.

10.2.2 Detailed Design Procedure

1. Recommended Input Conditions

- Rise time and fall time specs: See $(\Delta t/\Delta V)$ in the [Recommended Operating Conditions](#) table.
- Specified high and low levels: See $(V_{IH}$ and $V_{IL})$ in the [Recommended Operating Conditions](#) table.
- Inputs are overvoltage tolerant allowing them to go as high as 5.5 V at any valid V_{CC} .

2. Recommended Output Conditions

- Load currents should not exceed 50 mA per output and 100 mA total for the part.
- Outputs should not be pulled above V_{CC} .

10.2.2.1 Testing

After the selection of proper component values, the oscillator circuit should be tested, using these components, to ensure that the oscillator circuit shows required performance over the recommended operating conditions.

- Without a crystal, the oscillator circuit should not oscillate. To check this, the crystal can be replaced by its equivalent parallel-resonant resistance.
- When the power-supply voltage drops, the closed-loop gain of the oscillator circuit reduces. Ensure that the circuit oscillates at the appropriate frequency at the lowest V_{CC} and highest V_{CC} .
- Ensure that the duty cycle, start-up time, and frequency drift over time is within the system requirements.

Typical Application (continued)

10.2.3 Application Curves

10.2.3.1 LVC1404 in 25-MHz Crystal-Oscillator Circuit

- $C_1 \approx C_2 = 30 \text{ pF}$ (1)
- $X_{C2} = 200 \text{ } \Omega$ (capacitive reactance at resonance frequency, that is, 25 MHz) (2)
- $V_{CC} = 3.3 \text{ V}$ (3)

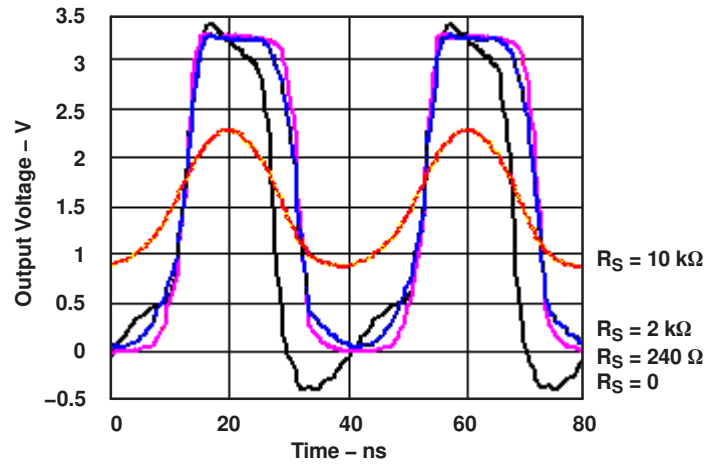


Figure 5. Effect of R_S on Oscillator Waveform (Frequency = 25 MHz)

Table 3. Effect of R_S on Duty Cycle and I_{CC} (Frequency = 25 MHz)

R_S (Ω)	I_{CC} (mA)	Positive Duty Cycle (%)
0	22.2	43
240	11.1	45.9
2 k	7.3	47.3
10 k	8.6	46.7

10.2.3.2 LVC1404 in 10-MHz Crystal-Oscillator Circuit

$C_1 \approx C_2 = 30 \text{ pF}$ (4)

$X_{C2} = 480 \text{ } \Omega$ (capacitive reactance at resonance frequency, that is, 10 MHz) (5)

$V_{CC} = 3.3 \text{ V}$ (6)

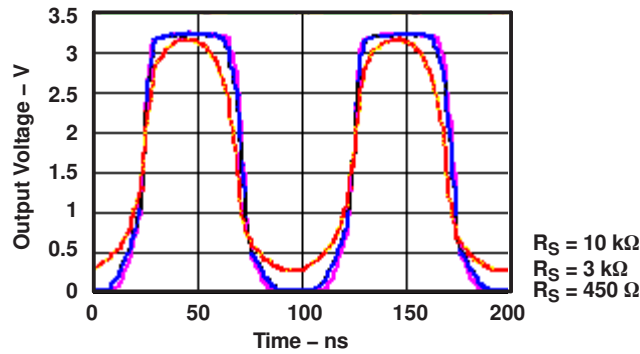


Figure 6. Effect of R_S on Oscillator Waveform (Frequency = 10 MHz)

Table 4. Effect of R_S on Duty Cycle and I_{CC} (Frequency = 10 MHz)

R_S (Ω)	I_{CC} (mA)	Positive Duty Cycle (%)
450	6.9	40
3 k	8.4	47.6
10 k	15.1	43.9

10.2.3.3 LVC1404 in 2-MHz Crystal-Oscillator Circuit

$C_1 \approx C_2 = 30 \text{ pF}$ (7)

$X_{C2} = 2.4 \text{ k}\Omega$ (capacitive reactance at resonance frequency, that is, 2 MHz) (8)

$V_{CC} = 3.3 \text{ V}$ (9)

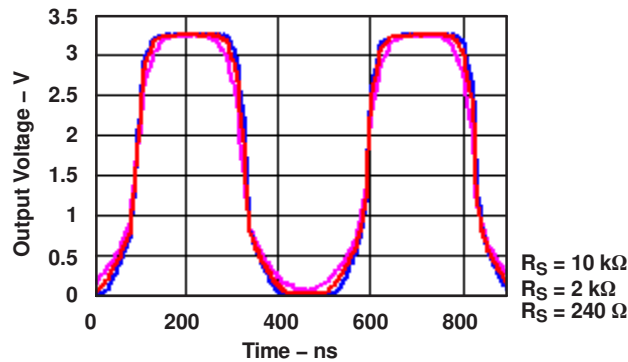


Figure 7. Effect of R_S on Oscillator Waveform (Frequency = 2 MHz)

Table 5. Effect of R_S on Duty Cycle and I_{CC} (Frequency = 2 MHz)

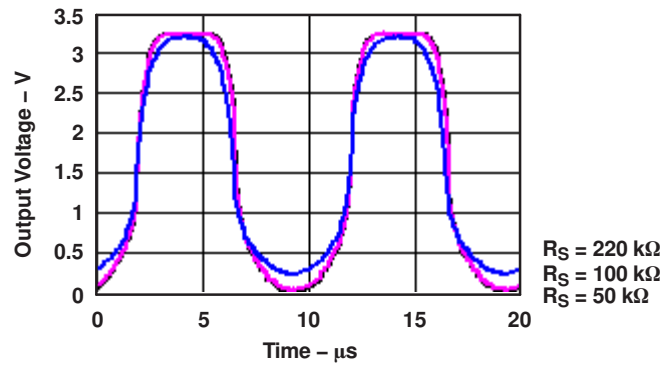
R_S (Ω)	I_{CC} (mA)	Positive Duty Cycle (%)
240	11.1	45.9
2 k	7.3	47.3
10 k	8.6	46.7

10.2.3.4 LVC1404 in 100-kHz Crystal-Oscillator Circuit

$$C_1 \approx C_2 = 30 \text{ pF} \quad (10)$$

$$X_{C2} = 48 \text{ k}\Omega \text{ (capacitive reactance at resonance frequency, that is, 100 kHz)} \quad (11)$$

$$V_{CC} = 3.3 \text{ V} \quad (12)$$


Figure 8. Effect of R_S on Oscillator Waveform (Frequency = 100 kHz)
Table 6. Effect of R_S on Duty Cycle and I_{CC} (Frequency = 100 kHz)

R_S (Ω)	I_{CC} (mA)	Positive Duty Cycle (%)
50 k	9	46.4
100 k	9.5	46.1
220 k	13.7	44.3

11 Power Supply Recommendations

The power supply can be any voltage between the MIN and MAX supply voltage rating located in the [Recommended Operating Conditions](#) table.

Each V_{CC} pin should have a good bypass capacitor to prevent power disturbance. For devices with a single supply, 0.1 μf is recommended; if there are multiple V_{CC} pins, then 0.01 μf or 0.022 μf is recommended for each power pin. It is acceptable to parallel multiple bypass caps to reject different frequencies of noise. A 0.1 μf and a 1 μf are commonly used in parallel. The bypass capacitor should be installed as close to the power pin as possible for best results.

12 Layout

12.1 Layout Guidelines

When using multiple-bit logic devices, inputs should never float.

In many cases, functions or parts of functions of digital logic devices are unused, for example, when only two inputs of a triple-input AND gate are used or only 3 of the 4 buffer gates are used. Such input pins should not be left unconnected because the undefined voltages at the outside connections result in undefined operational states. [Figure 9](#) specifies the rules that must be observed under all circumstances. All unused inputs of digital logic devices must be connected to a high or low bias to prevent them from floating. The logic level that should be applied to any particular unused input depends on the function of the device. Generally they will be tied to GND or V_{CC} , whichever makes more sense or is more convenient. It is generally acceptable to float outputs, unless the part is a transceiver. If the transceiver has an output enable pin, it will disable the output section of the part when asserted. This will not disable the input section of the I/Os, so they cannot float when disabled.

12.2 Layout Example

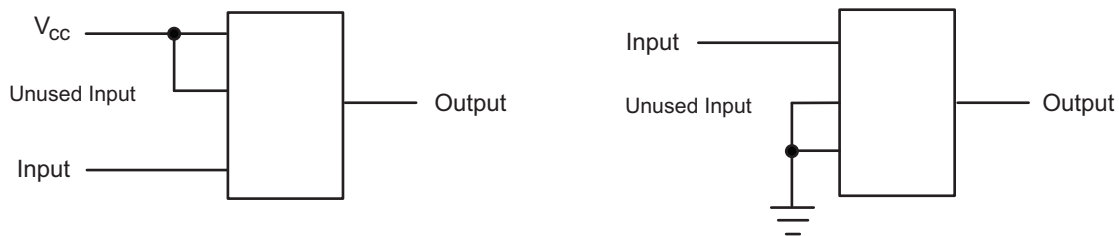


Figure 9. Layout Diagram

13 Device and Documentation Support

13.1 Trademarks

NanoFree is a trademark of Texas Instruments.
All other trademarks are the property of their respective owners.

13.2 Electrostatic Discharge Caution



These devices have limited built-in ESD protection. The leads should be shorted together or the device placed in conductive foam during storage or handling to prevent electrostatic damage to the MOS gates.

13.3 Glossary

[SLYZ022](#) — *TI Glossary*.

This glossary lists and explains terms, acronyms, and definitions.

14 Mechanical, Packaging, and Orderable Information

The following pages include mechanical, packaging, and orderable information. This information is the most current data available for the designated devices. This data is subject to change without notice and revision of this document. For browser-based versions of this data sheet, refer to the left-hand navigation.

PACKAGING INFORMATION

Orderable Device	Status (1)	Package Type	Package Drawing	Pins	Package Qty	Eco Plan (2)	Lead finish/ Ball material (6)	MSL Peak Temp (3)	Op Temp (°C)	Device Marking (4/5)	Samples
SN74LVC1404DCTR	ACTIVE	SM8	DCT	8	3000	RoHS & Green	NIPDAU	Level-1-260C-UNLIM	-40 to 125	CA4 (R, Z)	Samples
SN74LVC1404DCUR	ACTIVE	VSSOP	DCU	8	3000	RoHS & Green	NIPDAU SN	Level-1-260C-UNLIM	-40 to 125	(CA4J, CA4R)	Samples
SN74LVC1404YZPR	ACTIVE	DSBGA	YZP	8	3000	RoHS & Green	SNAGCU	Level-1-260C-UNLIM	-40 to 85	44N	Samples

(1) The marketing status values are defined as follows:

ACTIVE: Product device recommended for new designs.

LIFEBUY: TI has announced that the device will be discontinued, and a lifetime-buy period is in effect.

NRND: Not recommended for new designs. Device is in production to support existing customers, but TI does not recommend using this part in a new design.

PREVIEW: Device has been announced but is not in production. Samples may or may not be available.

OBSOLETE: TI has discontinued the production of the device.

(2) **RoHS:** TI defines "RoHS" to mean semiconductor products that are compliant with the current EU RoHS requirements for all 10 RoHS substances, including the requirement that RoHS substance do not exceed 0.1% by weight in homogeneous materials. Where designed to be soldered at high temperatures, "RoHS" products are suitable for use in specified lead-free processes. TI may reference these types of products as "Pb-Free".

RoHS Exempt: TI defines "RoHS Exempt" to mean products that contain lead but are compliant with EU RoHS pursuant to a specific EU RoHS exemption.

Green: TI defines "Green" to mean the content of Chlorine (Cl) and Bromine (Br) based flame retardants meet JS709B low halogen requirements of <=1000ppm threshold. Antimony trioxide based flame retardants must also meet the <=1000ppm threshold requirement.

(3) MSL, Peak Temp. - The Moisture Sensitivity Level rating according to the JEDEC industry standard classifications, and peak solder temperature.

(4) There may be additional marking, which relates to the logo, the lot trace code information, or the environmental category on the device.

(5) Multiple Device Markings will be inside parentheses. Only one Device Marking contained in parentheses and separated by a "~" will appear on a device. If a line is indented then it is a continuation of the previous line and the two combined represent the entire Device Marking for that device.

(6) Lead finish/Ball material - Orderable Devices may have multiple material finish options. Finish options are separated by a vertical ruled line. Lead finish/Ball material values may wrap to two lines if the finish value exceeds the maximum column width.

Important Information and Disclaimer:The information provided on this page represents TI's knowledge and belief as of the date that it is provided. TI bases its knowledge and belief on information provided by third parties, and makes no representation or warranty as to the accuracy of such information. Efforts are underway to better integrate information from third parties. TI has taken and continues to take reasonable steps to provide representative and accurate information but may not have conducted destructive testing or chemical analysis on incoming materials and chemicals. TI and TI suppliers consider certain information to be proprietary, and thus CAS numbers and other limited information may not be available for release.

In no event shall TI's liability arising out of such information exceed the total purchase price of the TI part(s) at issue in this document sold by TI to Customer on an annual basis.

TAPE AND REEL INFORMATION

QUADRANT ASSIGNMENTS FOR PIN 1 ORIENTATION IN TAPE


*All dimensions are nominal

Device	Package Type	Package Drawing	Pins	SPQ	Reel Diameter (mm)	Reel Width W1 (mm)	A0 (mm)	B0 (mm)	K0 (mm)	P1 (mm)	W (mm)	Pin1 Quadrant
SN74LVC1404DCTR	SM8	DCT	8	3000	180.0	13.0	3.35	4.5	1.55	4.0	12.0	Q3
SN74LVC1404DCTR	SM8	DCT	8	3000	177.8	12.4	3.45	4.4	1.45	4.0	12.0	Q3
SN74LVC1404DCUR	VSSOP	DCU	8	3000	180.0	8.4	2.25	3.35	1.05	4.0	8.0	Q3
SN74LVC1404DCUR	VSSOP	DCU	8	3000	178.0	9.0	2.25	3.35	1.05	4.0	8.0	Q3
SN74LVC1404YZPR	DSBGA	YZP	8	3000	178.0	9.2	1.02	2.02	0.63	4.0	8.0	Q1

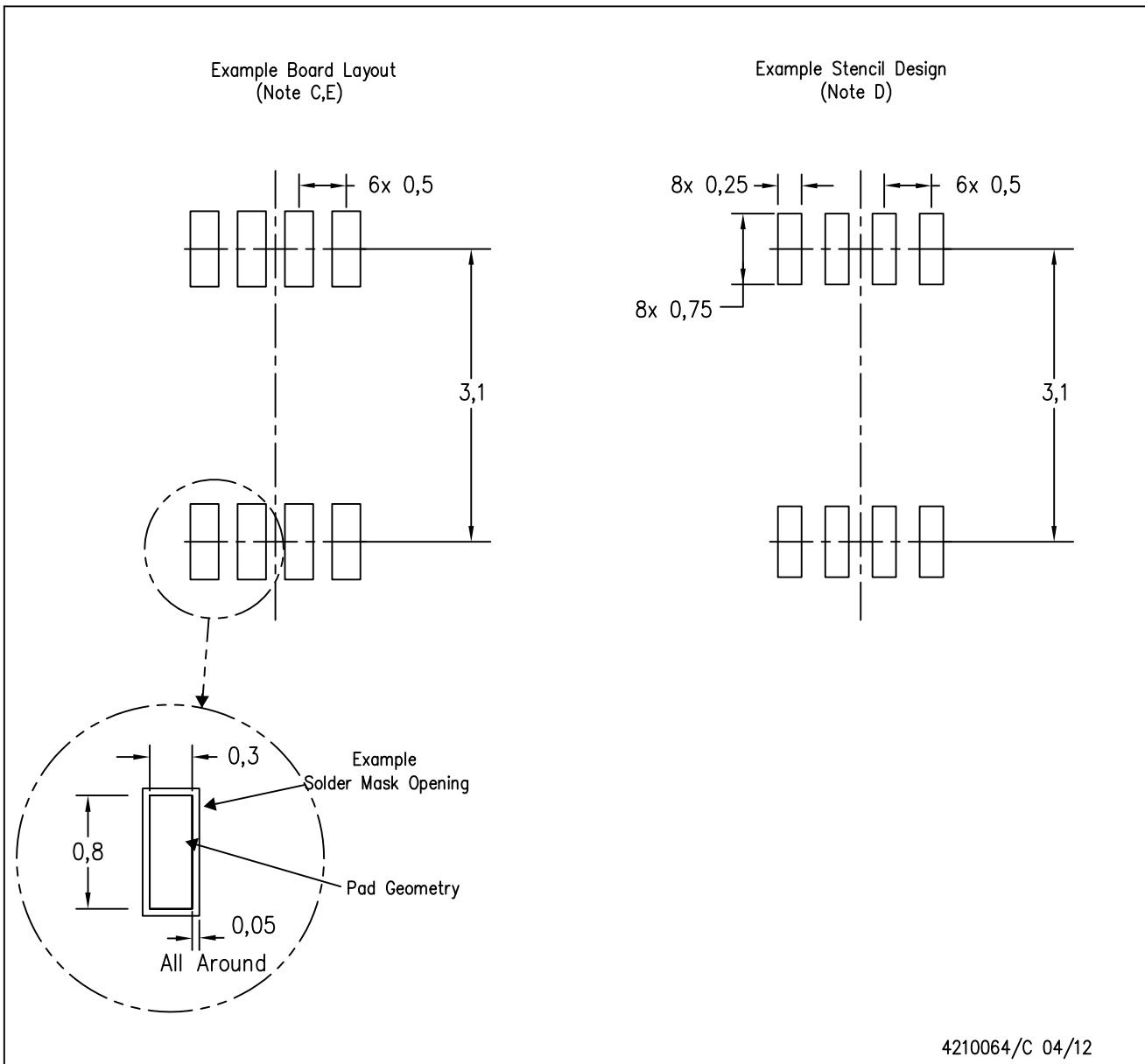
TAPE AND REEL BOX DIMENSIONS


*All dimensions are nominal

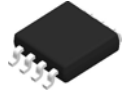
Device	Package Type	Package Drawing	Pins	SPQ	Length (mm)	Width (mm)	Height (mm)
SN74LVC1404DCTR	SM8	DCT	8	3000	182.0	182.0	20.0
SN74LVC1404DCTR	SM8	DCT	8	3000	183.0	183.0	20.0
SN74LVC1404DCUR	VSSOP	DCU	8	3000	202.0	201.0	28.0
SN74LVC1404DCUR	VSSOP	DCU	8	3000	180.0	180.0	18.0
SN74LVC1404YZPR	DSBGA	YZP	8	3000	220.0	220.0	35.0

DCU (S-PDSO-G8)

PLASTIC SMALL OUTLINE PACKAGE (DIE DOWN)



- NOTES:
- A. All linear dimensions are in millimeters.
 - B. This drawing is subject to change without notice.
 - C. Publication IPC-7351 is recommended for alternate designs.
 - D. Laser cutting apertures with trapezoidal walls and also rounding corners will offer better paste release. Customers should contact their board assembly site for stencil design recommendations. Refer to IPC-7525 for other stencil recommendations.
 - E. Customers should contact their board fabrication site for solder mask tolerances between and around signal pads.

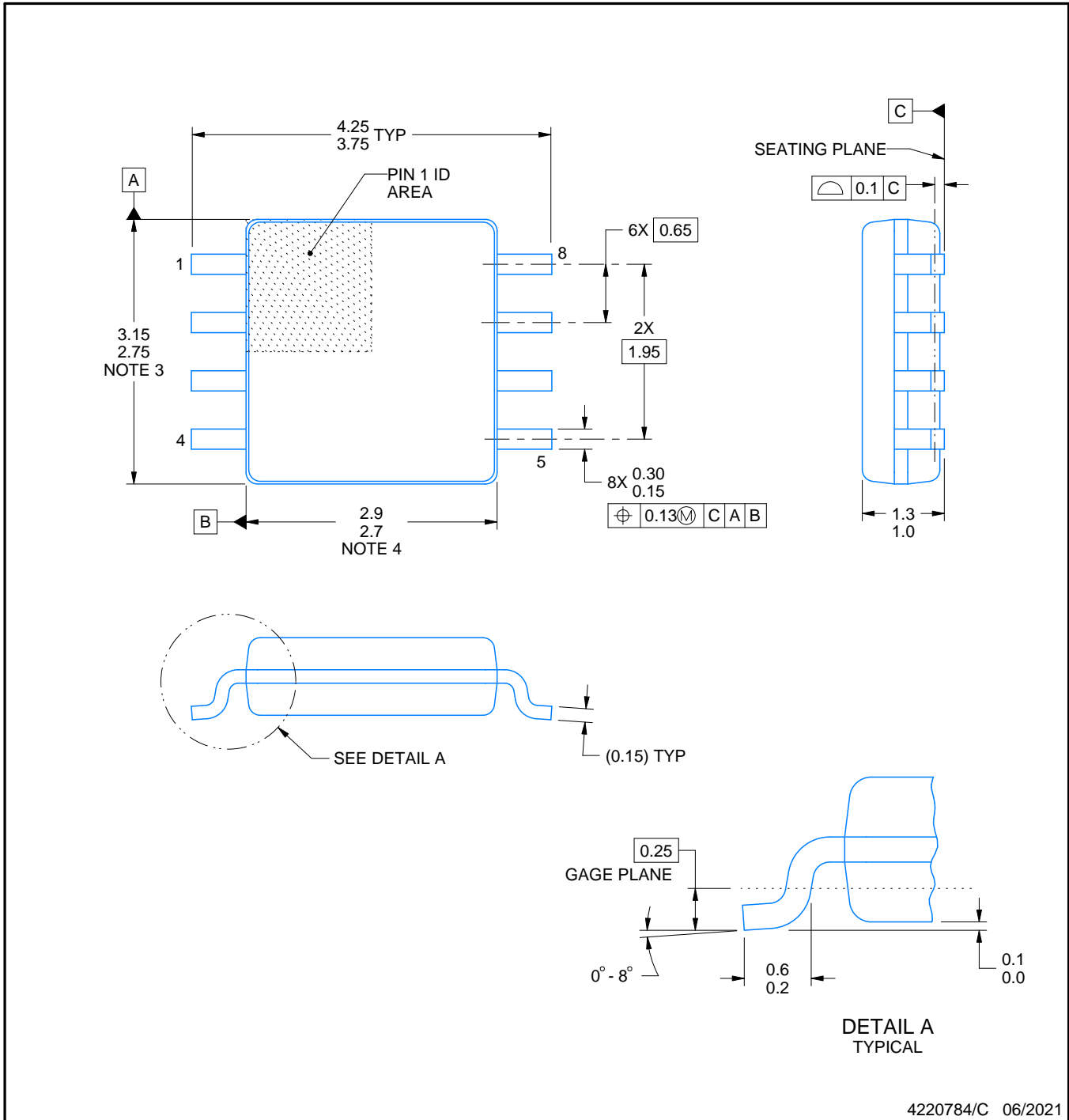


DCT0008A

PACKAGE OUTLINE

SSOP - 1.3 mm max height

SMALL OUTLINE PACKAGE



NOTES:

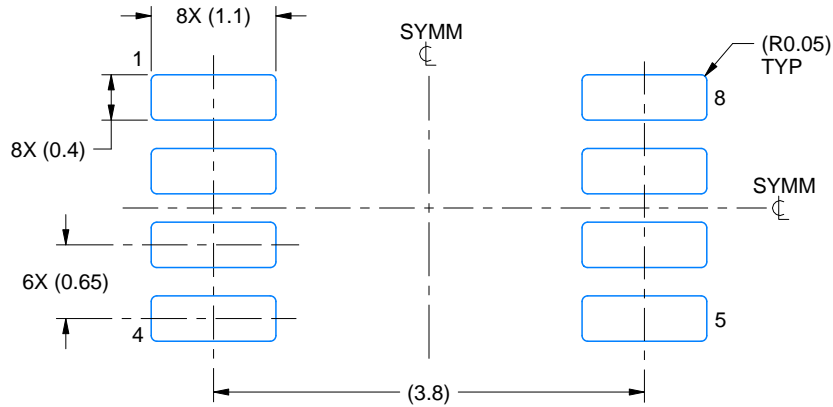
1. All linear dimensions are in millimeters. Dimensions in parenthesis are for reference only. Dimensioning and tolerancing per ASME Y14.5M.
2. This drawing is subject to change without notice.
3. This dimension does not include mold flash, protrusions, or gate burrs. Mold flash, protrusions, or gate burrs shall not exceed 0.15 mm per side.
4. This dimension does not include interlead flash. Interlead flash shall not exceed 0.25 mm per side.

EXAMPLE BOARD LAYOUT

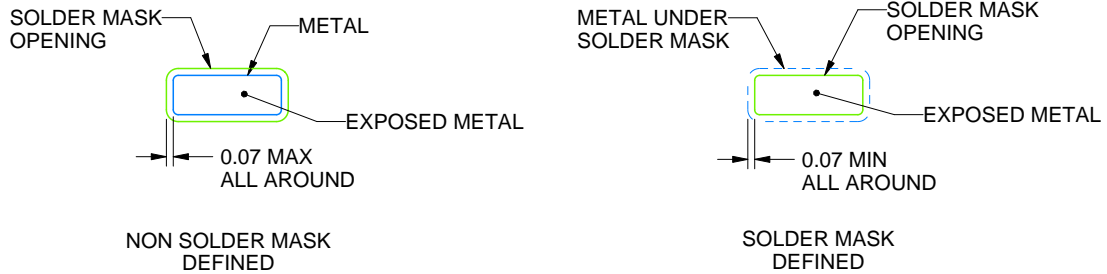
DCT0008A

SSOP - 1.3 mm max height

SMALL OUTLINE PACKAGE



LAND PATTERN EXAMPLE
EXPOSED METAL SHOWN
SCALE:15X



SOLDER MASK DETAILS

4220784/C 06/2021

NOTES: (continued)

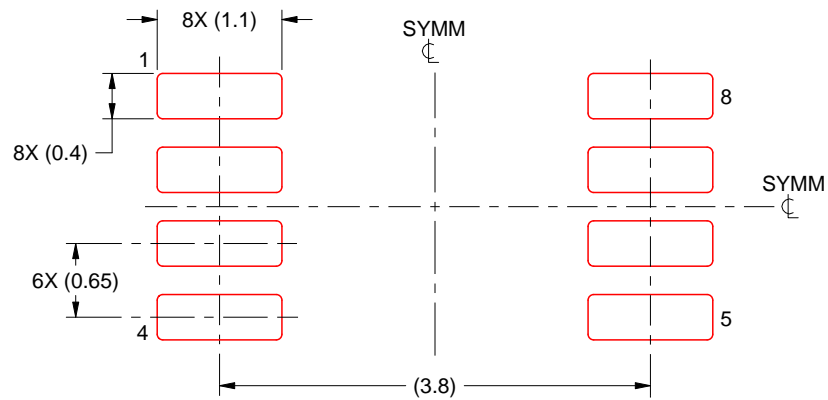
- 5. Publication IPC-7351 may have alternate designs.
- 6. Solder mask tolerances between and around signal pads can vary based on board fabrication site.

EXAMPLE STENCIL DESIGN

DCT0008A

SSOP - 1.3 mm max height

SMALL OUTLINE PACKAGE



SOLDER PASTE EXAMPLE
BASED ON 0.125 mm THICK STENCIL
SCALE:15X

4220784/C 06/2021

NOTES: (continued)

7. Laser cutting apertures with trapezoidal walls and rounded corners may offer better paste release. IPC-7525 may have alternate design recommendations.
8. Board assembly site may have different recommendations for stencil design.

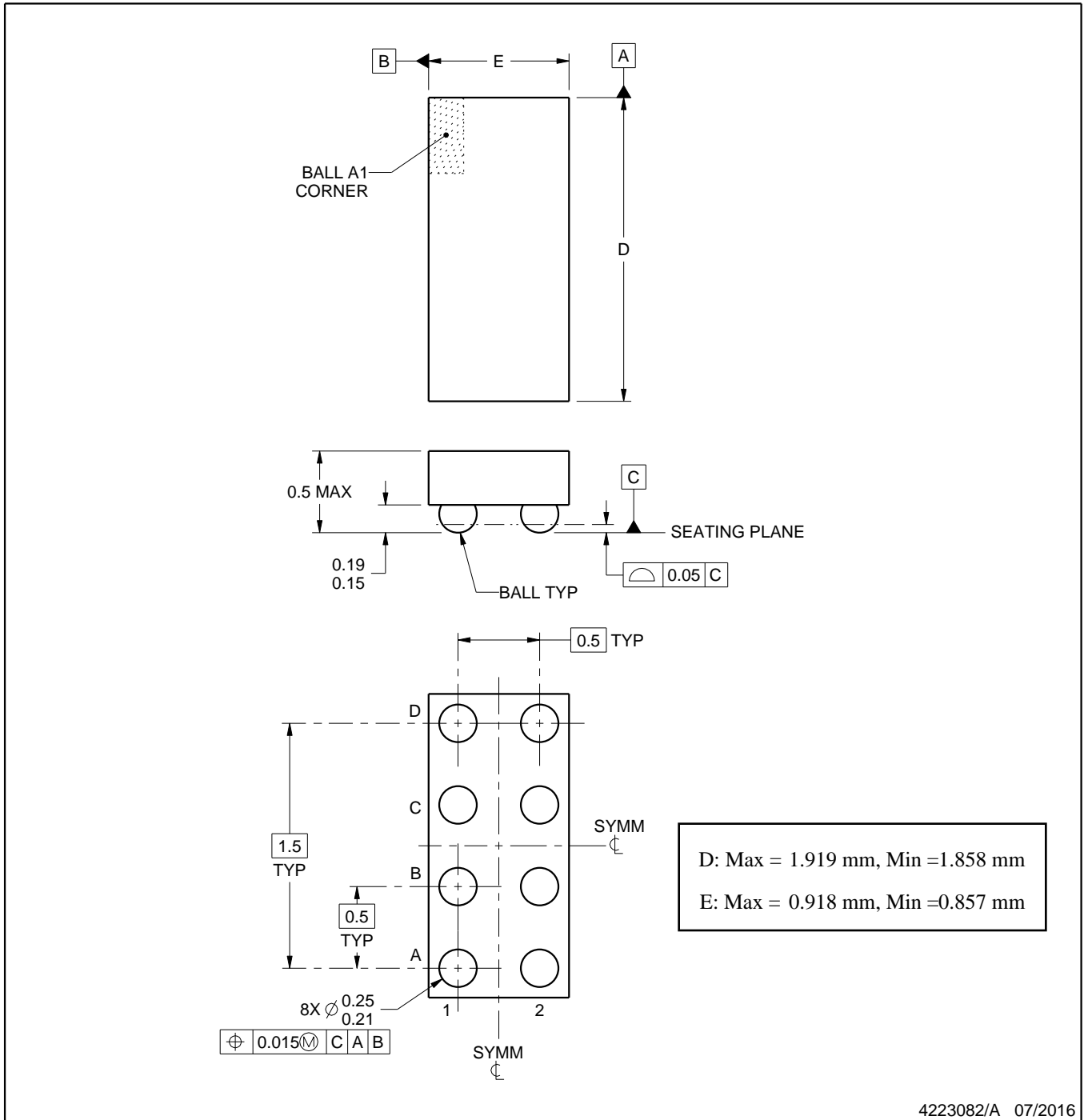
YZP0008



PACKAGE OUTLINE

DSBGA - 0.5 mm max height

DIE SIZE BALL GRID ARRAY



NOTES:

1. All linear dimensions are in millimeters. Any dimensions in parenthesis are for reference only. Dimensioning and tolerancing per ASME Y14.5M.
2. This drawing is subject to change without notice.

EXAMPLE BOARD LAYOUT

YZP0008

DSBGA - 0.5 mm max height

DIE SIZE BALL GRID ARRAY



LAND PATTERN EXAMPLE
SCALE:40X



SOLDER MASK DETAILS
NOT TO SCALE

4223082/A 07/2016

NOTES: (continued)

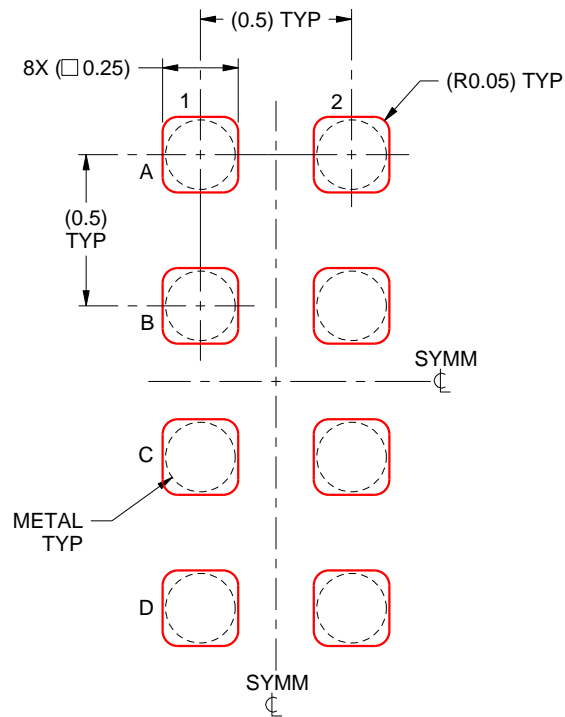
3. Final dimensions may vary due to manufacturing tolerance considerations and also routing constraints. For more information, see Texas Instruments literature number SNVA009 (www.ti.com/lit/snva009).

EXAMPLE STENCIL DESIGN

YZP0008

DSBGA - 0.5 mm max height

DIE SIZE BALL GRID ARRAY



SOLDER PASTE EXAMPLE
BASED ON 0.1 mm THICK STENCIL
SCALE:40X

4223082/A 07/2016

NOTES: (continued)

4. Laser cutting apertures with trapezoidal walls and rounded corners may offer better paste release.

IMPORTANT NOTICE AND DISCLAIMER

TI PROVIDES TECHNICAL AND RELIABILITY DATA (INCLUDING DATASHEETS), DESIGN RESOURCES (INCLUDING REFERENCE DESIGNS), APPLICATION OR OTHER DESIGN ADVICE, WEB TOOLS, SAFETY INFORMATION, AND OTHER RESOURCES "AS IS" AND WITH ALL FAULTS, AND DISCLAIMS ALL WARRANTIES, EXPRESS AND IMPLIED, INCLUDING WITHOUT LIMITATION ANY IMPLIED WARRANTIES OF MERCHANTABILITY, FITNESS FOR A PARTICULAR PURPOSE OR NON-INFRINGEMENT OF THIRD PARTY INTELLECTUAL PROPERTY RIGHTS.

These resources are intended for skilled developers designing with TI products. You are solely responsible for (1) selecting the appropriate TI products for your application, (2) designing, validating and testing your application, and (3) ensuring your application meets applicable standards, and any other safety, security, or other requirements. These resources are subject to change without notice. TI grants you permission to use these resources only for development of an application that uses the TI products described in the resource. Other reproduction and display of these resources is prohibited. No license is granted to any other TI intellectual property right or to any third party intellectual property right. TI disclaims responsibility for, and you will fully indemnify TI and its representatives against, any claims, damages, costs, losses, and liabilities arising out of your use of these resources.

TI's products are provided subject to TI's Terms of Sale (<https://www.ti.com/legal/termsofsale.html>) or other applicable terms available either on [ti.com](https://www.ti.com) or provided in conjunction with such TI products. TI's provision of these resources does not expand or otherwise alter TI's applicable warranties or warranty disclaimers for TI products.

Mailing Address: Texas Instruments, Post Office Box 655303, Dallas, Texas 75265
Copyright © 2021, Texas Instruments Incorporated