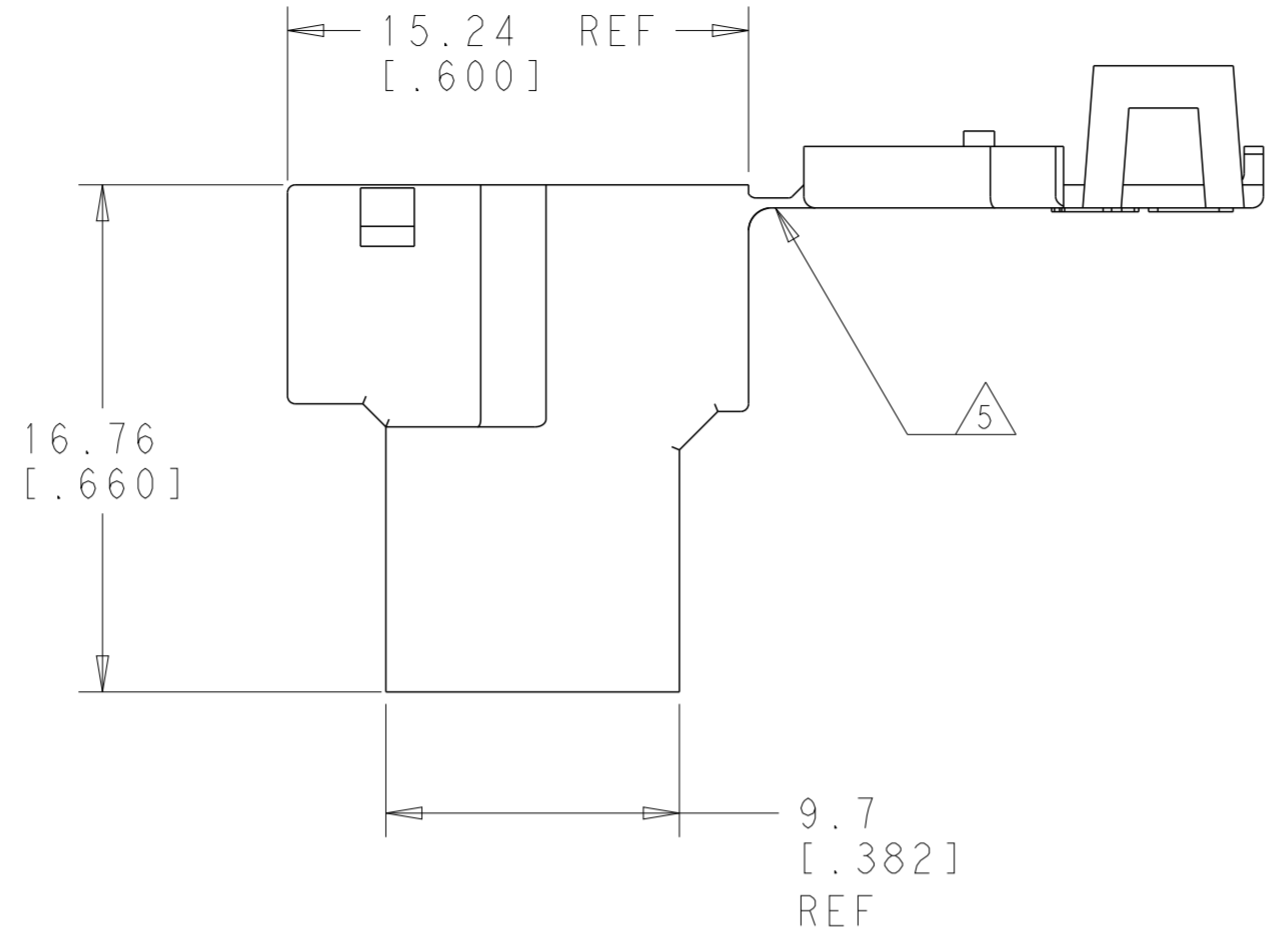
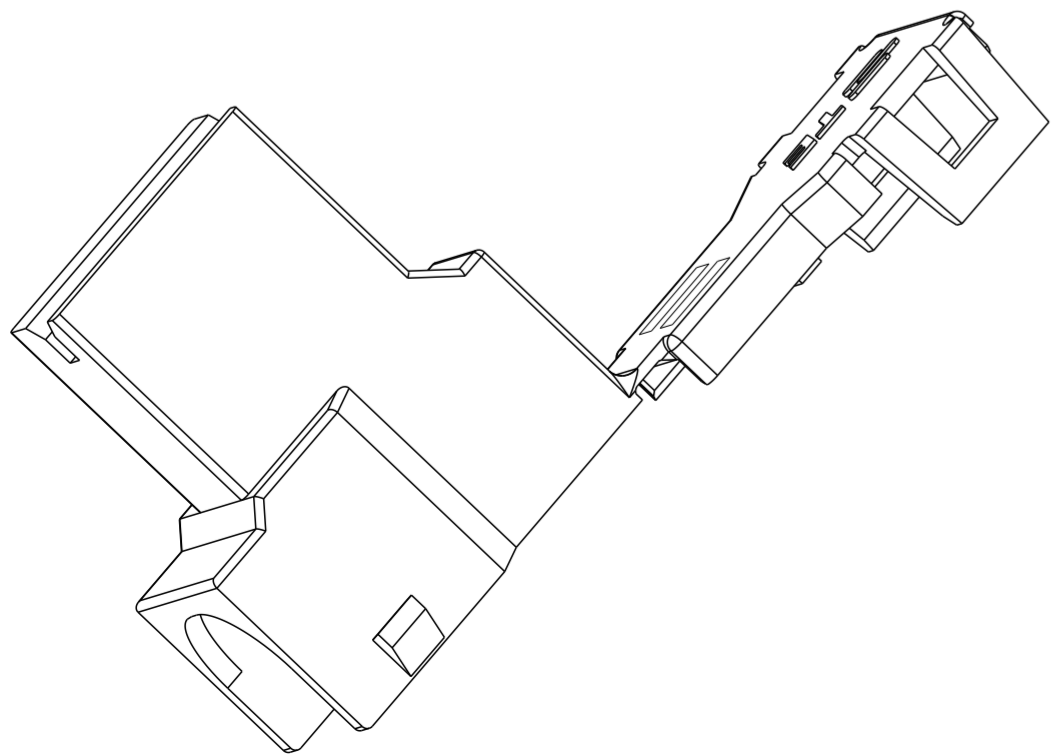
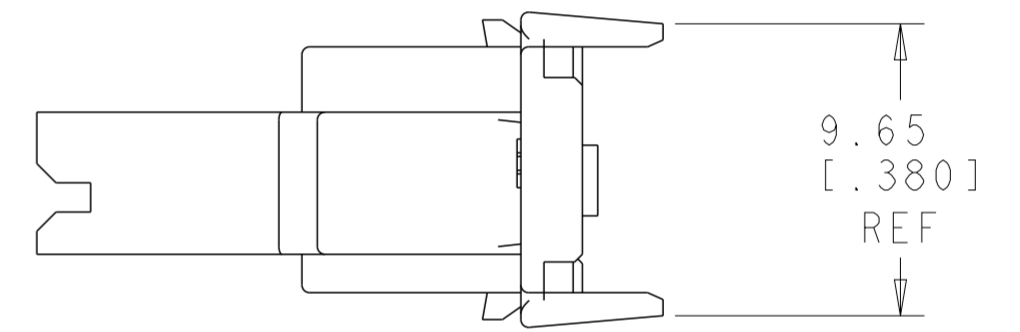
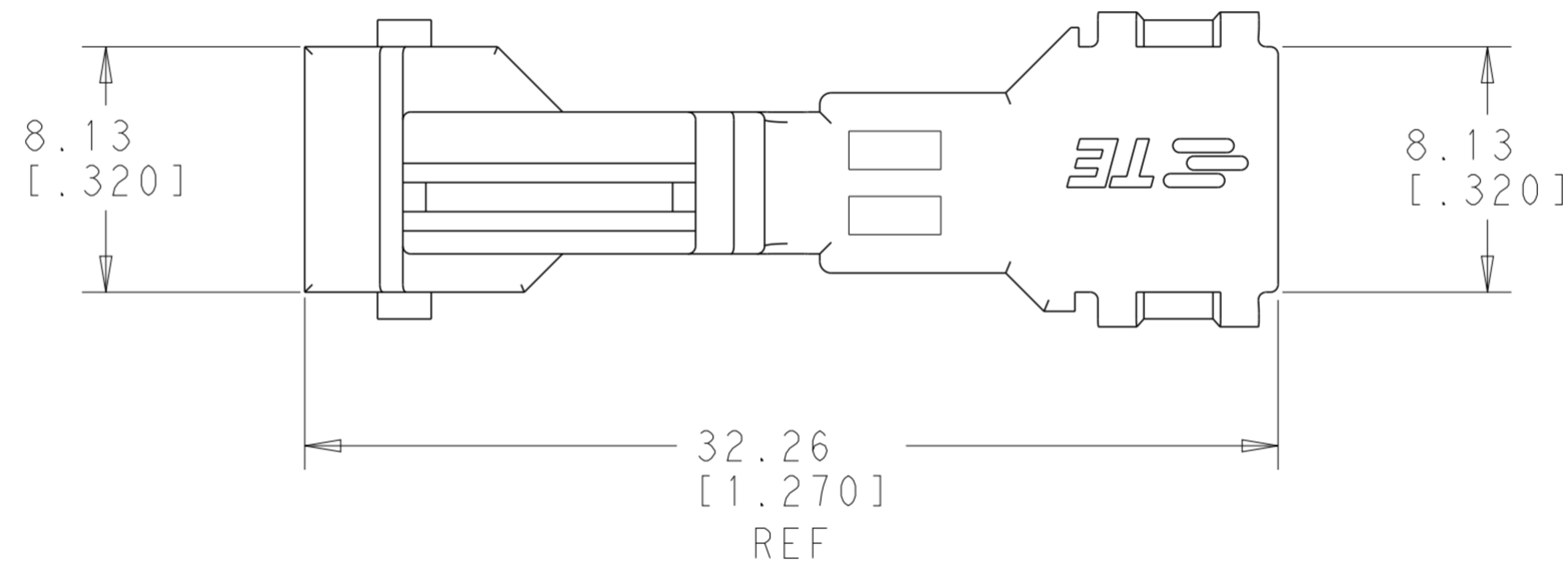
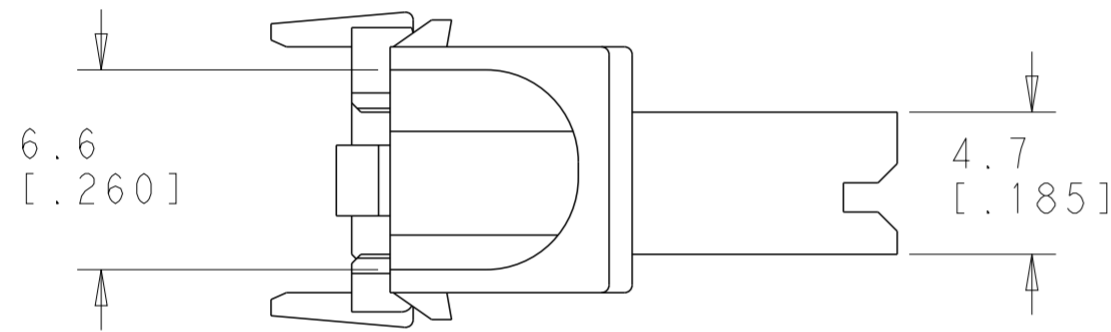


THIS DRAWING IS UNPUBLISHED. RELEASED FOR PUBLICATION 20
 © COPYRIGHT 20 BY - ALL RIGHTS RESERVED.

| LOC | DIST | REVISIONS | | | | | |
|-----|------|-----------|-----|---------------------------|-----------|-----|------|
| AF | 50 | P | LTR | DESCRIPTION | DATE | DWN | APVD |
| | | B5 | | REVISED PER ECO-18-007263 | 09MAY2018 | RS | DS |
| | | B6 | | REVISED PER ECR-19-006167 | 07MAY2019 | BDA | DH |
| | | B7 | | REVISED PER ECR-19-017221 | 28JAN2020 | BDA | DS |



- ① MATERIAL -NATURAL, 6 NYLON, 150°C, V0
- ② MATERIAL -BLACK, 6 NYLON, 150°C, V0
- ③ MATERIAL -NATURAL, 66 NYLON, V2, GLOW WIRE MATERIAL
- ④ MATERIAL - NATURAL 66 NYLON V0, GLOW WIRE MATERIAL
- ⑤ IF CRACKS IN THE LIVING HINGE ARE OBSERVED DURING CLOSING THE LID, THIS IS AN INDICATION THAT THE PARTS HAVE BEEN ALLOWED TO DRY-OUT TOO MUCH. RE-MOISTURIZE THE PARTS PER SPECIFICATION 408-143119.



SUPERSEDED BY 1969507-9

| | |
|----------|----------------------|
| ④ | 1969507-9 |
| ③ | 1969507-4 |
| ② | 1969507-3 |
| ① | 1969507-2 |
| MATERIAL | PART NO. |

| | | | | | |
|--|--|------------------|--|-----------|----------------------------|
| THIS DRAWING IS A CONTROLLED DOCUMENT. | | DWN | JR RUTH | 03APR12 | STE TE Connectivity |
| DIMENSIONS: mm [INCHES] | | CHK | PETE DESANTIS | 03APR12 | |
| TOLERANCES UNLESS OTHERWISE SPECIFIED: | | APVD | PETE DESANTIS | 03APR12 | |
| 0 PLC ± 1 PLC ± 2 PLC ±0.38 [.015] 3 PLC ± 4 PLC ± ANGLES ± FINISH | | PRODUCT SPEC | NAME | | |
| MATERIAL | | APPLICATION SPEC | HOUSING, RECEPTACLE, FLAG FASTON, CLOSED BACK, .250 SERIES | | |
| SEE TABLE | | WEIGHT | SIZE | | RESTRICTED TO |
| | | CUSTOMER DRAWING | A200779 | C-1969507 | - |
| | | SCALE | 4:1 | SHEET | 1 OF 1 |
| | | | | REV | B7 |