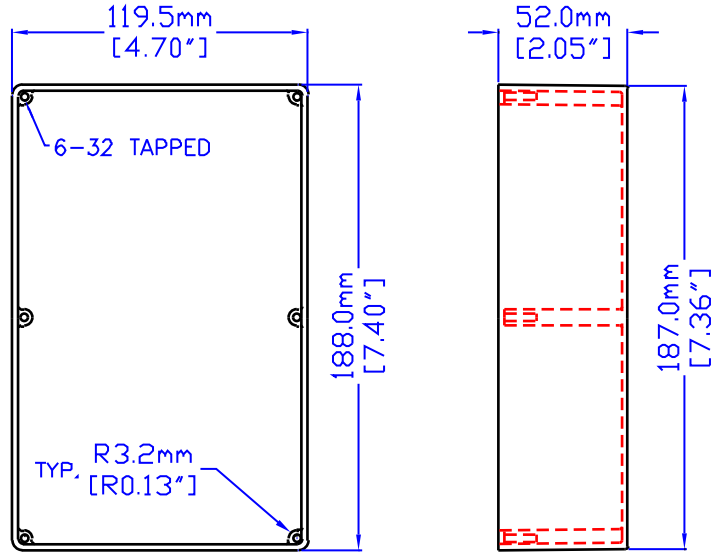


NOTES

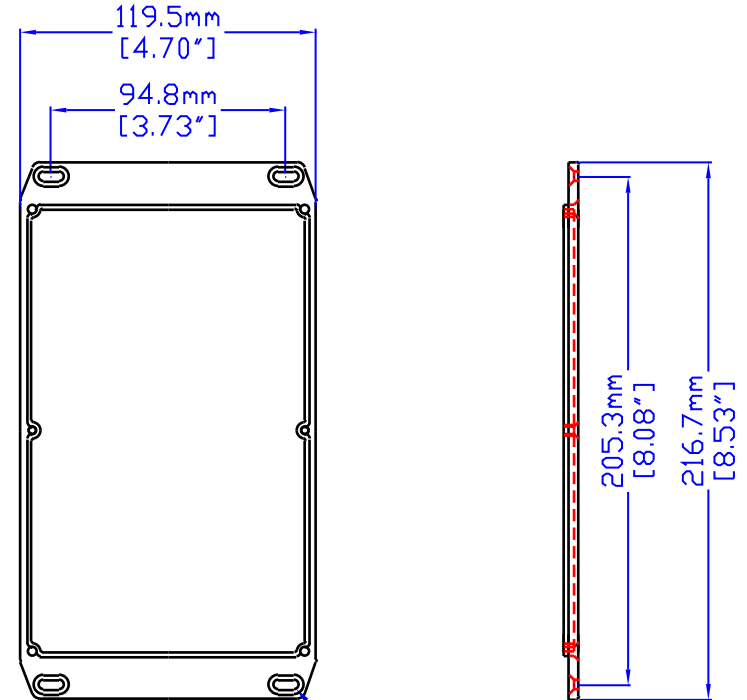
MATERIAL: -DIECAST ALUMINUM ALLOY,  
-Six 6-32 Phillips screws

VIEW OF BOX (LID REMOVED)



NOTE:  
FOR DETAIL  
DIMENSIONING  
REFER TO DRAWING  
# 1590D

VIEW INSIDE LID



1590DFL

1590D WITH SPECIAL FLANGED LID,  
AVAILABLE FROM STOCK.

WATERPROOFING KIT IS AVAILABLE  
PART # 1590DG,  
THE GASKET KIT WILL AFFORD PROTECTION  
AGAINST LIQUID TO NEMA 4 AND IP65 LEVELS.

THIS ENCLOSURE IS ALSO AVAILABLE IN BLACK  
AND GRAY TEXTURE FINISH.



HAMMOND MANUFACTURING

1590DFL

CANADA - PH (519) 886 7170 - FAX (519) 886 8311  
U.S.A. - PH (716) 631 5700 - FAX (716) 631 1156