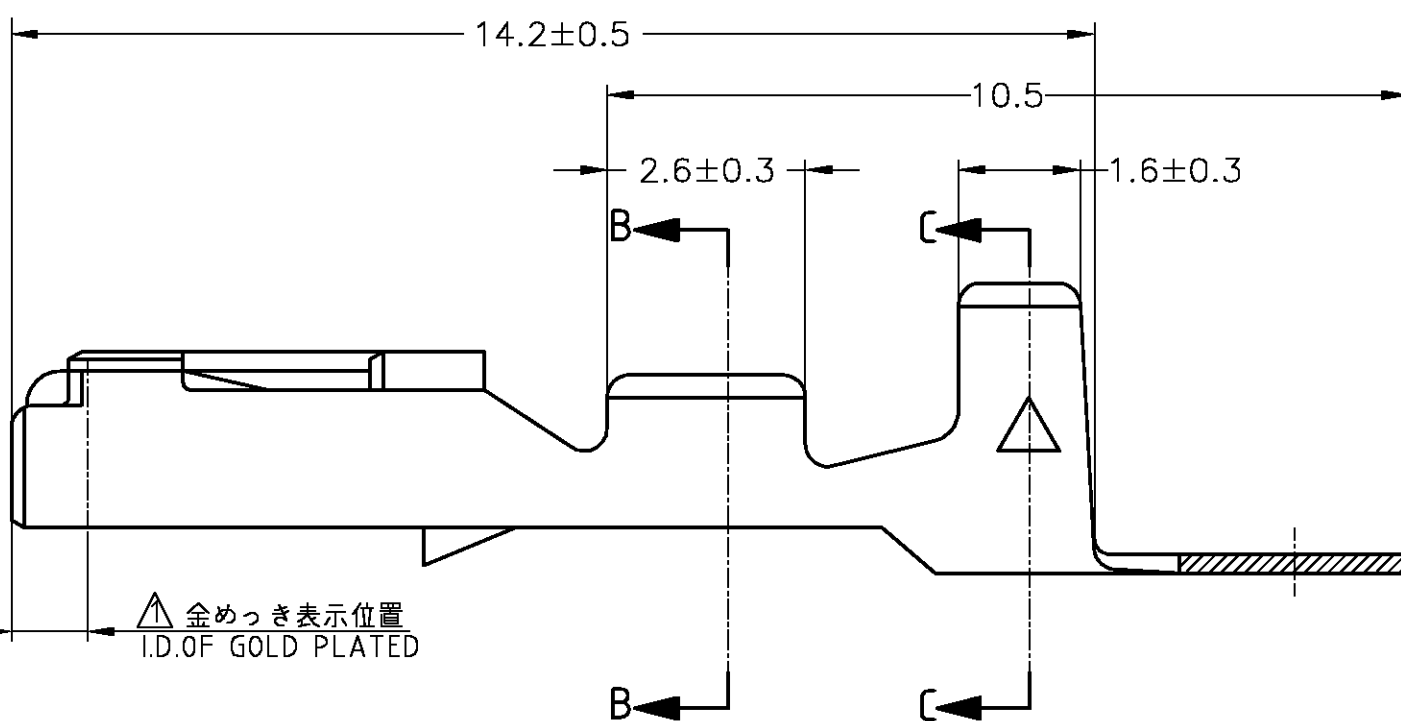
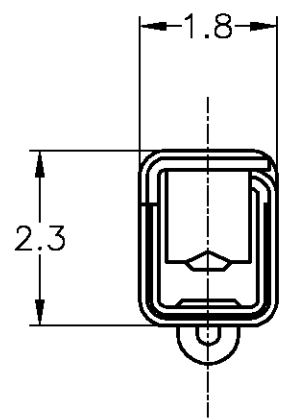
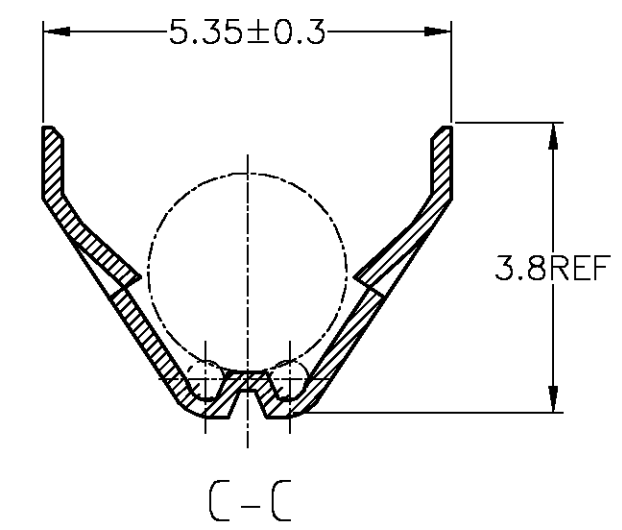
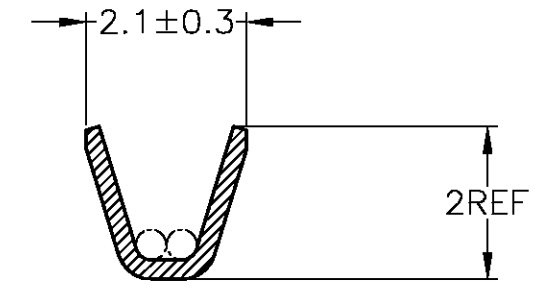
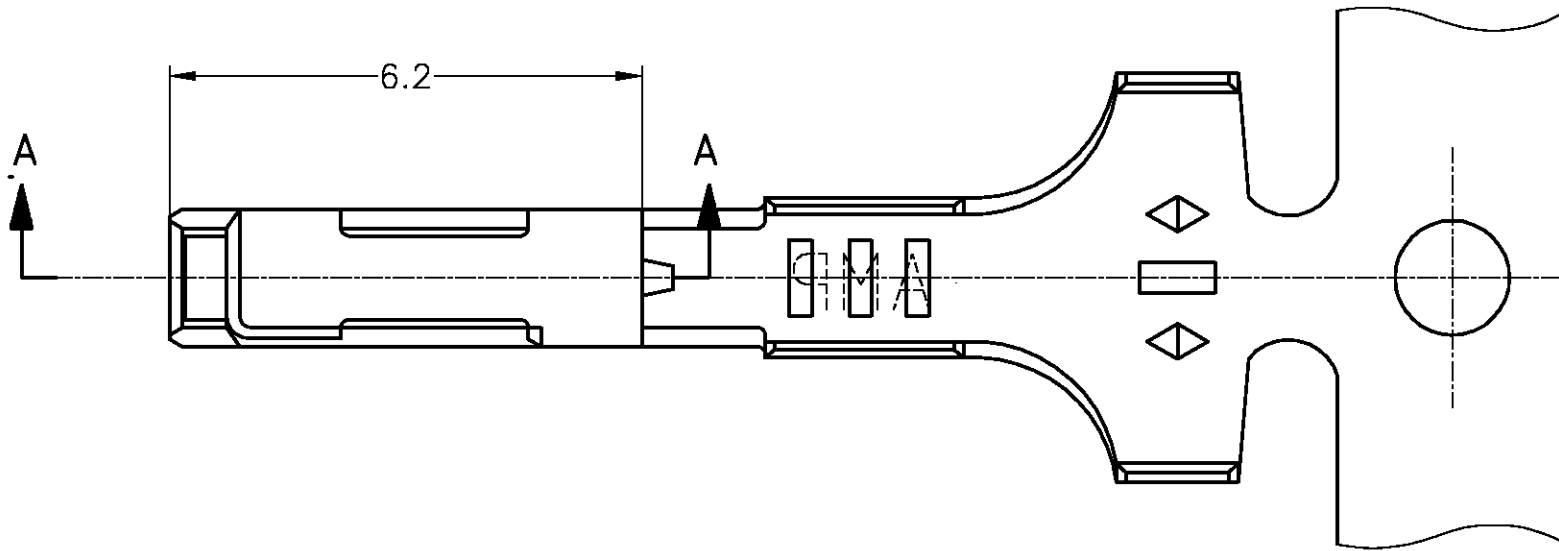


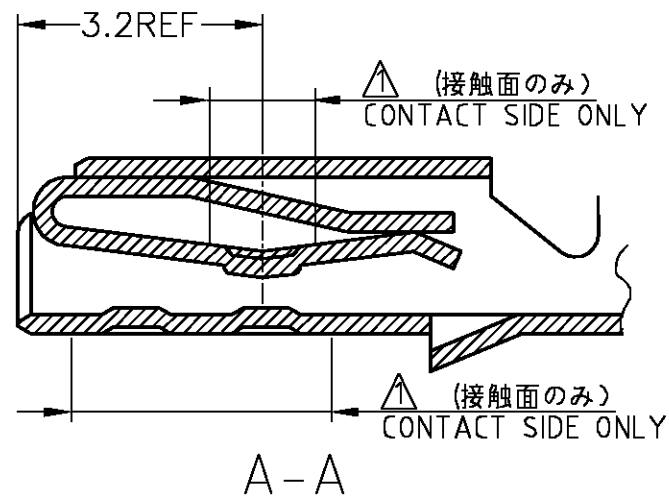
THIS DRAWING IS UNPUBLISHED. RELEASED FOR PUBLICATION
 © COPYRIGHT BY TYCO ELECTRONICS CORPORATION. ALL RIGHTS RESERVED.

LOC	DIST	REVISIONS					
		P	LTR	DESCRIPTION	DATE	DWN	APVD
		01		REVISED ECR-06-027725	29NOV06	MS	KB



△ SELECTIVE GOLD
 2. APPLICATION SPEC NO. 114-5111

△ 部分金めっき
 2. 取付適用規格番号 114-5111



175061-2	SELECTIVE GOLD 部分金めっき	173716-2
175061-1	PRE-TINNED 錫めっき済	173716-1
LOOSE PIECE NO.バラ状端子型番	FINISH 仕上げ	AMP PART NUMBER 製品型番
WIRE RANGE (抱合電線断面積) 0.3~0.5mm ² (AWG#22~20)		INSULATION DIA. (被覆外径) 1.8~2 mmφ

THIS DRAWING IS A CONTROLLED DOCUMENT.		DWN M.SUGAWARA 29NOV06	Tyco Electronics AMP K.K. Kawasaki, Japan	
DIMENSIONS: 単位: 概 mm		CHK K.BETSUI 29NOV06		
TOLERANCES UNLESS OTHERWISE SPECIFIED: 一般公差		APVD K.BETSUI 29NOV06	NAME 名称	
0 PLC ±- 1 PLC ±- 2 PLC ±- 3 PLC ±- 4 PLC ±- ANGLES ±-		PRODUCT SPEC 製品規格	040 SERIES RECEPTACLE CONTACT	
MATERIAL 材料 THICKNESS KLF-5 板厚0.25		APPLICATION SPEC 取付適用規格	SIZE A3	CAGE CODE 00779
FINISH 仕上 SEE TABLE 表参照		WEIGHT -	DRAWING NO 番号 C-173716	
TOLERANCES UNLESS OTHERWISE SPECIFIED: 一般公差		CUSTOMER DRAWING		RESTRICTED TO -
10± : ±0.2	30± >10 : ±0.25	SCALE 尺度 10:1		SHEET 1 OF 1
100± >30 : ±0.3	ANGLE : ±3°	REV 01		