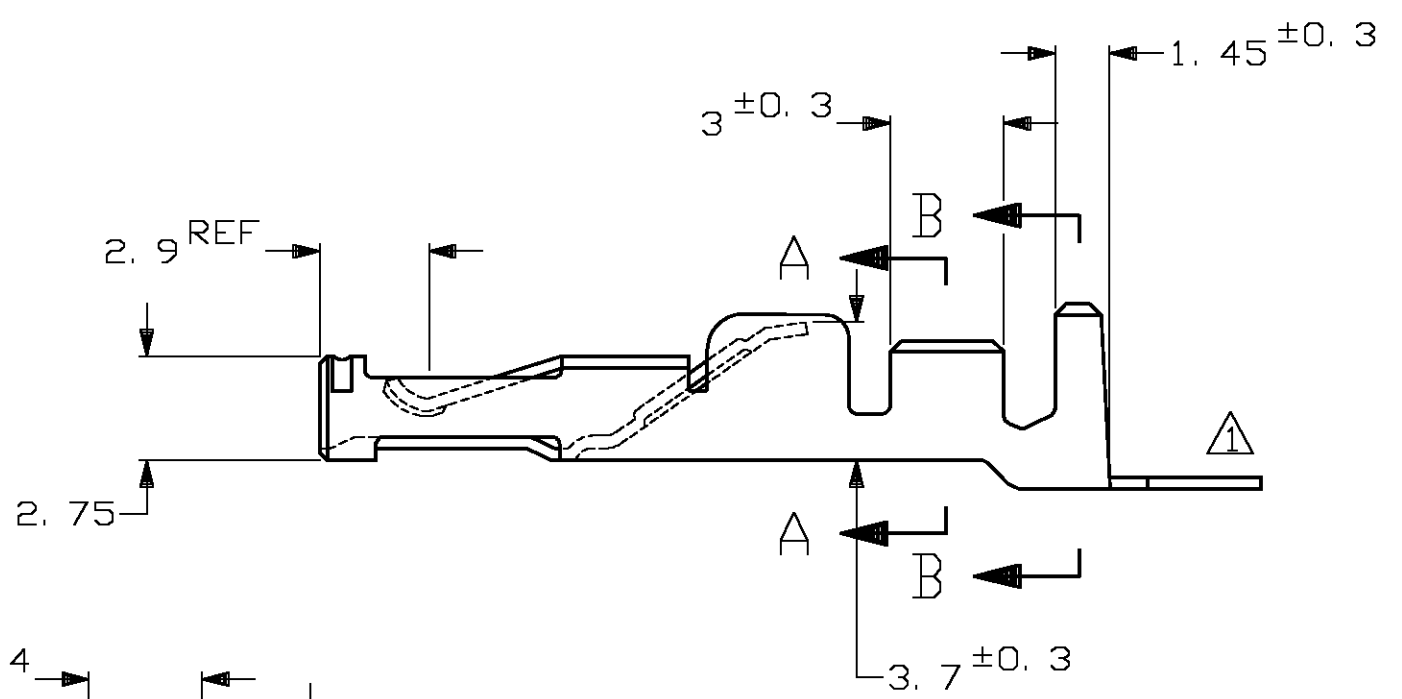
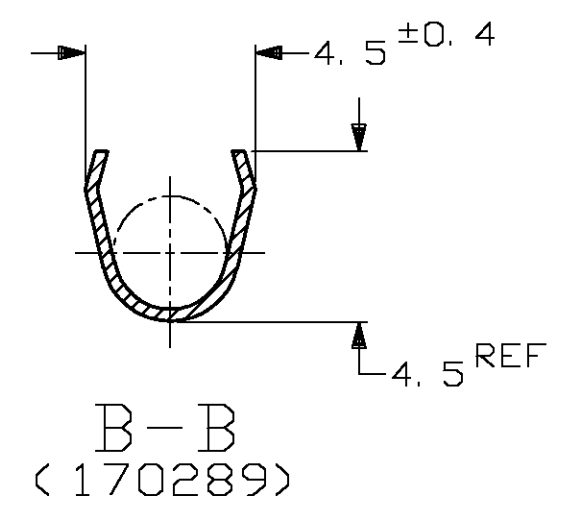
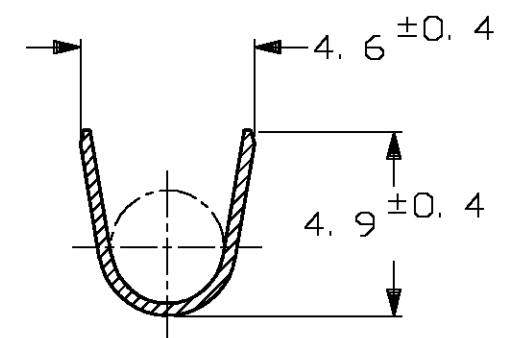
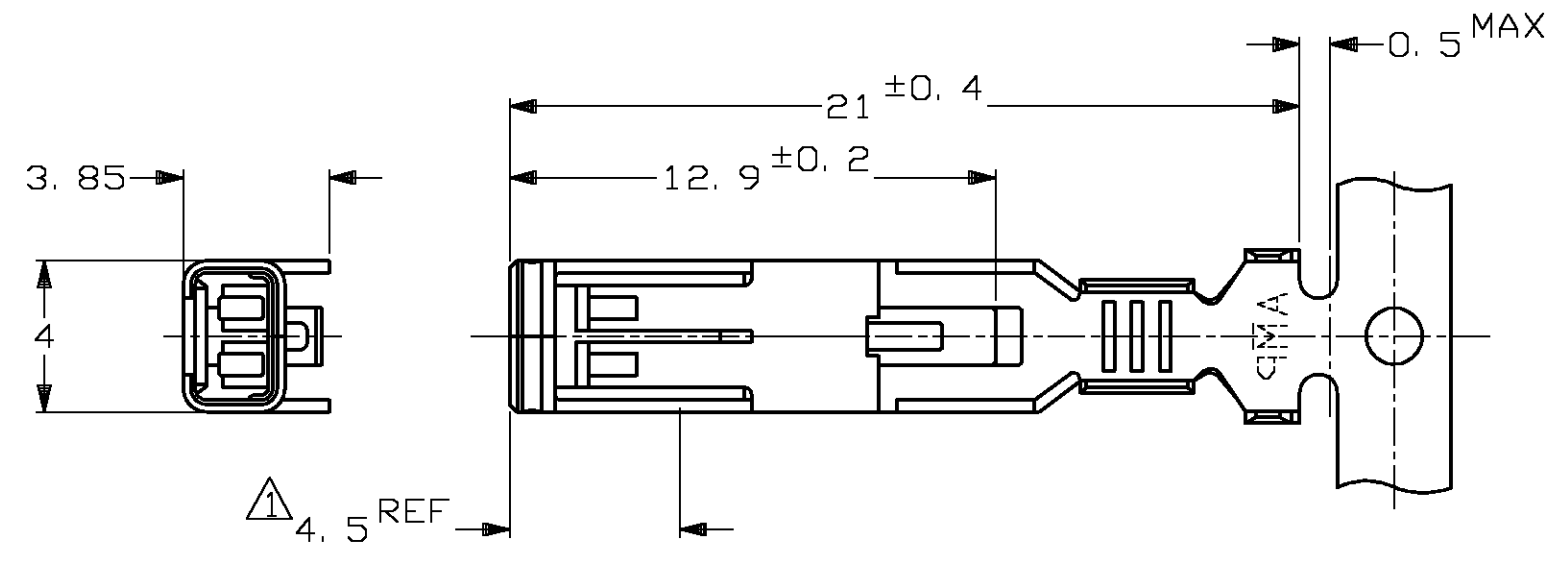


THIS DRAWING IS UNPUBLISHED. RELEASED FOR PUBLICATION
 © COPYRIGHT BY TYCO ELECTRONICS CORPORATION. ALL RIGHTS RESERVED.

LOC	DIST	REVISIONS					
		P	LTR	DESCRIPTION	DATE	DWN	APVD
J	-	E2	REVISED	ECR-08-024850	02OCT08	TS	KB



1. HOUSING PART NUMBER: 171358, 171892 etc.
 2. THE MATING TAB CONTACTS PART NUMBER: 170221, 170308 etc.
 3. REVERSE REEL PART NUMBER FOR 170286-1: 1-170286-1
 4. DIFFERENT PLATING THICKNESS PRODUCT FROM 170286-2.
1. 使用ハウジング型番：171358, 171892 他。
 2. 嵌合タブコンタクト型番：170221, 170308 他。
 3. 170286-1の逆巻き型番：1-170286-1
 4. 170286-2のめっき厚違い品。

LOOSE PIECE No.	FINISH	MATERIAL	PART NUMBER
170289-3	SELECTIVE GOLD PL	PH BRZ TEMP#4	170286-4 ⁴
170289-2	SELECTIVE GOLD PL	PH BRZ TEMP#4	170286-2
170289-1	PRE-TINNED	PH BRZ TEMP#4	170286-1

TOLERANCE UNLESS OTHERWISE SPECIFIED
 一般公差
 10 ≥ : ±0.2
 30 ≥ >10 : ±0.25
 100 ≥ >30 : ±0.3
 ANGLE : ±0.3°

WIRE RANGE
 AWG NO.
 #20~#14
 (0.5~2mm² SQ)
 INSUL RANGE
 2.2~3.4 DIA

THIS DRAWING IS A CONTROLLED DOCUMENT.

DIMENSIONS: 単位：mm	TOLERANCES UNLESS OTHERWISE SPECIFIED: 一般公差
0 PLC ±-	1 PLC ±-
1 PLC ±-	2 PLC ±-
2 PLC ±-	3 PLC ±-
3 PLC ±-	4 PLC ±-
4 PLC ±-	ANGLES ±-

MATERIAL 材料 SEE TABLE
 FINISH 仕上 SEE TABLE

DWN T.SHINOHARA 19NOV07	Tyco Electronics Corporation Kawasaki, Japan	
CHK K.BETSUI 19NOV07	NAME 名称	
APVD K.BETSUI 19NOV07	MULTI INTER LOCK CONNECTOR RECEPTACLE	
PRODUCT SPEC 製品規格 108-5093, 108-5099	SIZE A3	CAGE CODE 00779
APPLICATION SPEC 取付適用規格 114-5004	DRAWING NO 番号 C-170286	RESTRICTED TO
WEIGHT 0.6 g	SCALE 尺度 5:1	SHEET 1 OF 1
CUSTOMER DRAWING	REV E2	