

HALOTRONIC-COMPACT – HTM, HTN

Electronic transformers for low-voltage halogen lamps



Areas of application

- Effect and accent lighting
- Living rooms
- Object lighting
- Conference rooms
- Restaurants
- Recessed and surface-mounted furniture fixtures
- Shop lighting
- Event rooms

Product benefits

- Dimmable on the leading edge (without HTN) and trailing edge
- Very low power loss thanks to high efficacy
- Strain relief suitable for different cable types (HTM)
- Suitable for space-critical installation thanks to compact functional design
- Extremely compact transformer for highly space-critical installation conditions (HTN)
- Protective operation throughout the entire partial-load range for long lamp life

Product features

- Line frequency: 50...60 Hz
- RI suppression: to EN 55015 (A1: 2007)/CISPR 15, EN 55022
- Line harmonics according to EN 61000-3-2
- Immunity according to EN 61547
- Safety: to EN 61347
- Short-circuit protection, overload protection, overtemperature protection: electronically reversible
- Electrical isolation between the primary side and the secondary side
- Switching between electronic transformer and lamp not permitted
- Energy efficiency: $\geq 91\%$ (according to ErP regulation 2012/1194/EC)

Technical data

Electrical data

Product description	Lamp wattage	Line current	Nominal voltage	Operating frequency
HTM 70/230...240	20...70 W	0.27 A ¹⁾	230...240 V	52 kHz ²⁾
HTM 105/230...240	35...105 W	0.41 A ¹⁾	230...240 V	43 kHz ²⁾
HTM 150/230...240	50...150 W	0.57 A ¹⁾	230...240 V	40 kHz ²⁾
HTN 75/230...240 I	20...75 W	0.32 A ¹⁾	230...240 V	50 kHz ²⁾

Product description	Output voltage
HTM 70/230...240	11.2 / 11.2 V ³⁾
HTM 105/230...240	11.3 / 11.4 V ⁴⁾
HTM 150/230...240	11.4 / 11.5 V ⁵⁾
HTN 75/230...240 I	11.5 / 11.7 V ⁶⁾

¹⁾ Effectively

²⁾ Approximately

³⁾ 70 W

⁴⁾ 105 W

⁵⁾ 150 W

⁶⁾ 75 W

Dimensions & weight

Product description	Length	Width	Height	Mounting hole spacing, length
HTM 70/230...240	108.0 mm	52.0 mm	33.0 mm	-
HTM 105/230...240	108.0 mm	52.0 mm	33.0 mm	-
HTM 150/230...240	153.0 mm	54.0 mm	36.0 mm	146.0 mm
HTN 75/230...240 I	104.0 mm	33.0 mm	22.0 mm	94.0 mm

Product description	Mounting hole spacing, width	Cable cross-section, input side	Cable cross-section, output side	Wire preparation length, input side
HTM 70/230...240	-	2.5 mm ²	2.5 mm ²	12 / 7.0 mm ¹⁾
HTM 105/230...240	-	2.5 mm ²	2.5 mm ²	12 / 7.0 mm ¹⁾
HTM 150/230...240	15.0 mm			12 / 8.0 mm ¹⁾
HTN 75/230...240 I	-			10 / 6.0 mm ¹⁾

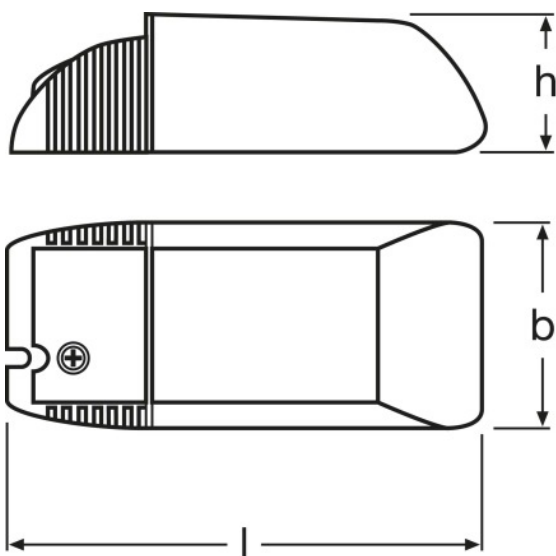
Product description	Wire preparation length, output side	Product weight
HTM 70/230...240	12 / 7.0 mm ¹⁾	110.00 g
HTM 105/230...240	12 / 7.0 mm ¹⁾	125.00 g

Product family datasheet

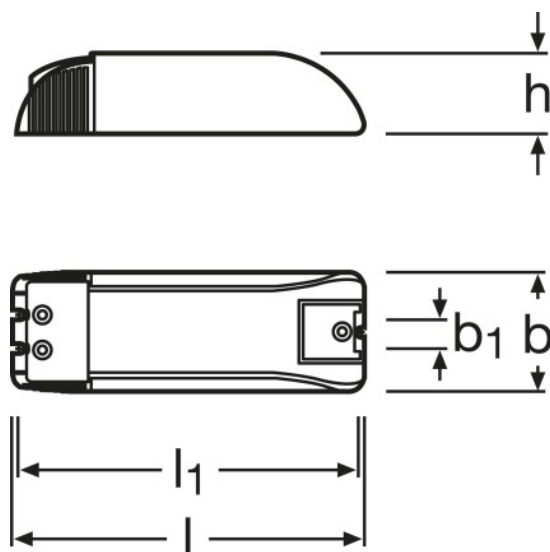
Product description	Wire preparation length, output side	Product weight
HTM 150/230...240	12 / 8.0 mm ¹⁾	185.00 g
HTN 75/230...240 I	10 / 6.0 mm ¹⁾	68.00 g

¹⁾ Cable sheath

Product line drawing

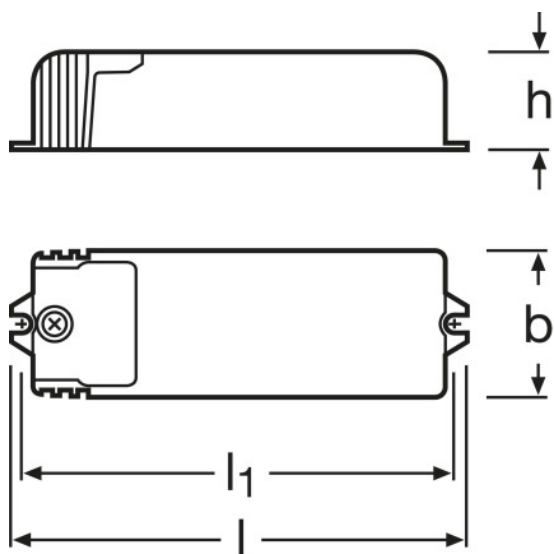


Product line drawing
HTM 70/230...240 | HTM 105/230...240



Product line drawing
HTM 150/230...240

Product family datasheet



Product line drawing
HTN 75/230...240 I

Temperatures

Product description	Ambient temperature range
HTM 70/230...240	0...+50 °C
HTM 105/230...240	0...+45 °C
HTM 150/230...240	0...+45 °C
HTN 75/230...240 I	0...+50 °C

Additional product data

Product description	Design / version
HTM 70/230...240	Compact with cable clamp
HTM 105/230...240	Compact with cable clamp
HTM 150/230...240	Compact with cable clamp
HTN 75/230...240 I	Very small with cable clamp

Product family datasheet

Capabilities

Product description	Dimmer
HTM 70/230...240	Trailing- or leading-edge phase control for inductive load dimmers
HTM 105/230...240	Trailing- or leading-edge phase control for inductive load dimmers
HTM 150/230...240	Trailing- or leading-edge phase control for inductive load dimmers
HTN 75/230...240 I	Trailing-edge phase control

Certificates & standards

Product description	Approval marks – approval	Standards
HTM 70/230...240	VDE / VDE-EMC / E1 approval	acc. to EN 55015:2006 + A1:2007/acc. to EN 61000-3-2/acc. to EN 61547/acc. to EN 61047/acc. to IEC 61347
HTM 105/230...240	VDE / VDE-EMC / E1 approval	acc. to EN 55015:2006 + A1:2007/acc. to EN 61000-3-2/acc. to EN 61547/acc. to EN 61047/acc. to IEC 61347
HTM 150/230...240	VDE / VDE-EMC / E1 approval	acc. to EN 55015:2006 + A1:2007/acc. to EN 61000-3-2/acc. to EN 61547/acc. to EN 61047/acc. to IEC 61347
HTN 75/230...240 I	VDE / VDE-EMC / E1 approval / CE	acc. to EN 55015:2006 + A1:2007/acc. to EN 61000-3-2/acc. to EN 61547/acc. to EN 61047/acc. to EN 61347

Application advice

For more detailed application information and graphics please see product datasheet.

Sales and Technical Support

















Sales and Technical Support www.osram.com

Product family datasheet

Country specific information

Product description	Product code	METEL code	SEG number	STK number	UK Org
HTM_70/230-240	4050300442310	OSRHTM70	5280327	4031017	-
HTM 105/230-240	4050300442334	OSRHTM105	5280330	4031020	-
HTM 150/230-240	4050300581415	OSRHTM150	5280333	4031030	-
HTN 75/230-240 I	4008321073037	OSRHTN75I	5280325	4030201	-

Download Data

File
 Brochures HALOTRONIC MOUSE HTM
 Certificates EMC-Marks approval
 Certificates ENEC-Marks approval HTi 105 DIM
 Declarations of conformity Declaration of conformity HTI DALI 150 DIM
 Installation/Operation notice Technical guide - HALOTRONIC for low-voltage halogen lamps
 Installation/Operation notice HALOTRONIC Manual
 CAD data 3-dim 108x52x33 9900021
 CAD data 3-dim 108x52x33 9900021
 CAD data 3-dim 108x52x33 9900021
 CAD data PDF 108x52x33 9900021
 Brochures HALOTRONIC NANO HTN
 Certificates ENEC-Marks approval
 Addon Technical Information ATI HTM 150230-240 (GB)
 CAD data 3-dim HTM 150
 CAD data 3-dim HTM 150
 Addon Technical Information ATI HTN 75230-240 I (GB)

Product family datasheet



CAD data 3-dim
98(104)x33x22 9900005



CAD data 3-dim
98(104)x33x22 9900005



CAD data 3-dim
98(104)x33x22 9900005



CAD data PDF
98(104)x33x22 9900005

Logistical Data

Product code	Product description	Packaging unit (Pieces/Unit)	Dimensions (height x width x length)	Volume	Gross weight
4050300442310	HTM 70/230...240	Shipping carton box 20	229 mm x 94 mm x 270 mm	5.81 dm ³	2436.00 g
4050300442334	HTM 105/230...240	Shipping carton box 20	229 mm x 94 mm x 270 mm	5.81 dm ³	2736.00 g
4050300581415	HTM 150/230...240	Shipping carton box 10	166 mm x 98 mm x 276 mm	4.49 dm ³	2046.50 g
4008321073037	HTN 75/230...240 I	Shipping carton box 20	179 mm x 75 mm x 235 mm	3.15 dm ³	1692.00 g

The mentioned product code describes the smallest quantity unit which can be ordered. One shipping unit can contain one or more single products. When placing an order, for the quantity please enter single or multiples of a shipping unit.

Disclaimer

Subject to change without notice. Errors and omission excepted. Always make sure to use the most recent release.