



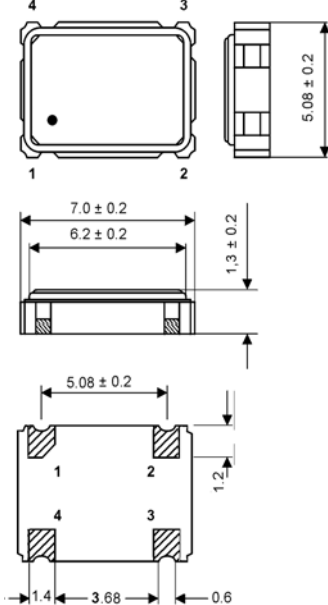
Clock Oscillator

SMD-version

5V

model	KXO-97
frequency	14,74560 MHz
frequency stability at -20° ~ +70°C	± 50 ppm
operating temperature	-20° ~ +70°C
storage temperature	-40° ~ +85°C
symmetry	50% ± 10% at 1,4V DC level or ½ Vcc level
rise & fall time max.	TTL: 6 ns / CMOS: 10 ns
"O" level max.	+ 0,4V (TTL) + 0,5V (CMOS)
"1" level min.	+2,4 (TTL) Vcc -0,5V (CMOS)
input voltage Vcc	+ 5V DC ± 10%
Input current	15 ~ 40 mA
output load	10 TTL gates 50 pF
start up time max.	10 ms
tristate function	yes
disable delay time	100 ns max.
enable delay time	4 ms max.
random jitter	7ps max.
peak to peak jitter	40ps max.
RoHS	according to RoHS 2011/65/EU
contents of reel	1000 pcs.
part no.	12.94214

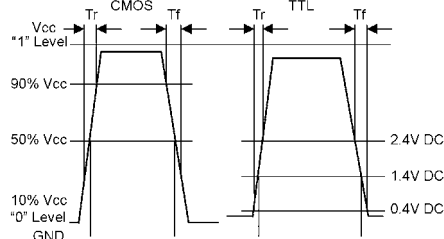
Dimensions (mm):



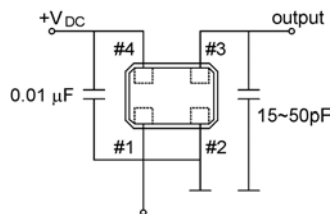
PIN	CONNECTION
1	"L" (OV) "H" or OPEN
2	GND
3	Z OUTPUT
4	Vcc

Z: high impedance

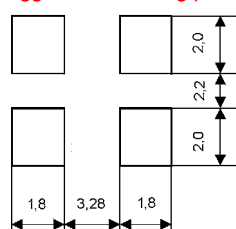
Waveform:



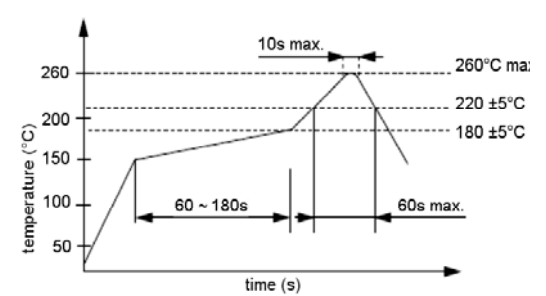
Test circuit:



Suggested soldering pad:



Reflow soldering condition:



Tape specifications:

