

Inductive coupler - NEARFI P 2A R

1234229

<https://www.phoenixcontact.com/pc/products/1234229>

Please be informed that the data shown in this PDF document is generated from our Online Catalog. Please find the complete data in the user documentation. Our General Terms of Use for Downloads are valid.



NearFi, remote coupler for contactless power transmission in the centimeter range, 24 V DC, 2 A, M12 connection technology, IP65 type of protection. A base coupler is required for operation.

Product Description

With the robust NEARFI-P... NearFi couplers, you can transmit power (24 V DC / 2 A) without contact across a distance in the centimeter range. You can therefore replace wear-sensitive and maintenance-intensive connections and reduce downtimes in your systems.

Your advantages

- Contactless - and therefore no wear and no maintenance
- High power in a compact housing
- All-round visible diagnostics with light ring on the housing
- High degree of mounting freedom with flexible proximity options
- Plug and Play - as easy as a plug
- Degree of protection: IP65

Commercial Data

Item number	1234229
Packing unit	1 pc
Minimum order quantity	1 pc
Product Key	DNC692
GTIN	4063151337681
Weight per Piece (including packing)	554 g
Weight per Piece (excluding packing)	515 g
Customs tariff number	85176200
Country of origin	DE

Inductive coupler - NEARFI P 2A R



1234229

<https://www.phoenixcontact.com/pc/products/1234229>

Technical Data

Product properties

Product type	Inductive coupler
Application	Power
MTTF	331 Years (SN 29500 standard, temperature 25°C, operating cycle 21%)
	196 Years (SN 29500 standard, temperature 40°C, operating cycle 34.25%)
	98 Years (SN 29500 standard, temperature 40°C, operating cycle 100%)

Insulation characteristics

Overvoltage category	II
Pollution degree	1

Electrical properties

Supply

Protective circuit	Short-circuit/overload protection
Connection method	M12 female (A-coded)

Connection data

Supply

Connection method	M12 female (A-coded)
-------------------	----------------------

Interfaces

Inductive: Power transmission

Switch-on time	< 50 ms
Range	min. 0 mm
	typ. 10 mm (at 60 °C)
	typ. 12 mm (at 25 °C)
Wireless modules that can be connected	1 (Base coupler)
Frequency range	100 kHz ... 148.5 kHz (Power transmission)

Dimensions

Dimensional drawing	
---------------------	--

Inductive coupler - NEARFI P 2A R



1234229

<https://www.phoenixcontact.com/pc/products/1234229>

Width	80 mm
Height	86 mm
Depth	39 mm

Material specifications

Material	PBT (Housing)
	Zinc die-cast (Housing)
Flammability rating according to UL 94	V0
Impact strength	IK06

Cable / line

Ambient conditions

Other resistance	Resistant to welding splashes
------------------	-------------------------------

Environmental and real-life conditions

Ambient conditions

Degree of protection	IP65
Impact strength	IK06
Ambient temperature (operation)	-20 °C ... 60 °C (observe derating)
Ambient temperature (storage/transport)	-40 °C ... 85 °C
Altitude	2000 m
Permissible humidity (operation)	10 % ... 95 %
Permissible humidity (storage/transport)	10 % ... 95 %
Air pressure (operation)	80 hPa ... 108 kPa (up to 2000 m above sea level)
Air pressure (storage/transport)	66 hPa ... 108 kPa (up to 3500 m above sea level)

Approval data

CE

Certificate	CE-compliant
-------------	--------------

CE

Note	RED 2014/53/EU
------	----------------

EMC data

Electromagnetic compatibility	Conformance with EMC Directive 2014/30/EU
Conducted noise emission	EN 55032 Class A, industrial applications

Electrostatic discharge

Standards/regulations	EN 61000-4-2
-----------------------	--------------

Electrostatic discharge

Contact discharge	± 4 kV (Test Level 2)
Discharge in air	± 8 kV (Test Level 3)
Comments	Criterion B

Inductive coupler - NEARFI P 2A R



1234229

<https://www.phoenixcontact.com/pc/products/1234229>

Electromagnetic HF field

Standards/regulations	EN 61000-4-3
-----------------------	--------------

Electromagnetic HF field

Frequency range	80 MHz ... 1 GHz (Test Level 3)
Field intensity	10 V/m
Comments	Criterion A

Fast transients (burst)

Standards/regulations	EN 61000-4-4
-----------------------	--------------

Fast transients (burst)

Input	± 2 kV (Test Level 3 - asymmetrical)
Output	± 2 kV (Test Level 3 - asymmetrical)
Signal	± 2 kV (Test Level 3 - asymmetrical)
Comments	Criterion B

Surge current load (surge)

Standards/regulations	EN 61000-4-5
-----------------------	--------------

Surge current load (surge)

Input	± 0.5 kV (Test Level 1 - symmetrical)
	± 1 kV (Test Level 2 - asymmetrical)
Output	± 1 kV (Test Level 2 - asymmetrical)
Signal	± 1 kV (Test Level 2 - asymmetrical)
Comments	Criterion B

Conducted interference

Standards/regulations	EN 61000-4-6
-----------------------	--------------

Conducted interference

Frequency range	0.15 MHz ... 80 MHz (Test Level 3 - asymmetrical)
Comments	Criterion A
Voltage	10 V (80% amplitude modulation with 1 kHz)

Emitted interference

Standards/regulations	EN 55016-2-3
Comments	Class A, industrial applications
Criterion A	Normal operating behavior within the specified limits.
Criterion B	Temporary impairment to operational behavior that is corrected by the device itself.

Standards and regulations

Free from substances that could impair the application of coating	Yes
Other resistance	Resistant to welding splashes
Standards/regulations	EN 60204-1 (PELV)
Standard designation	Protective extra-low voltage

Inductive coupler - NEARFI P 2A R



1234229

<https://www.phoenixcontact.com/pc/products/1234229>

Mounting

Mounting type	Wall mounting
Assembly instructions	Observe derating
Mounting position	any

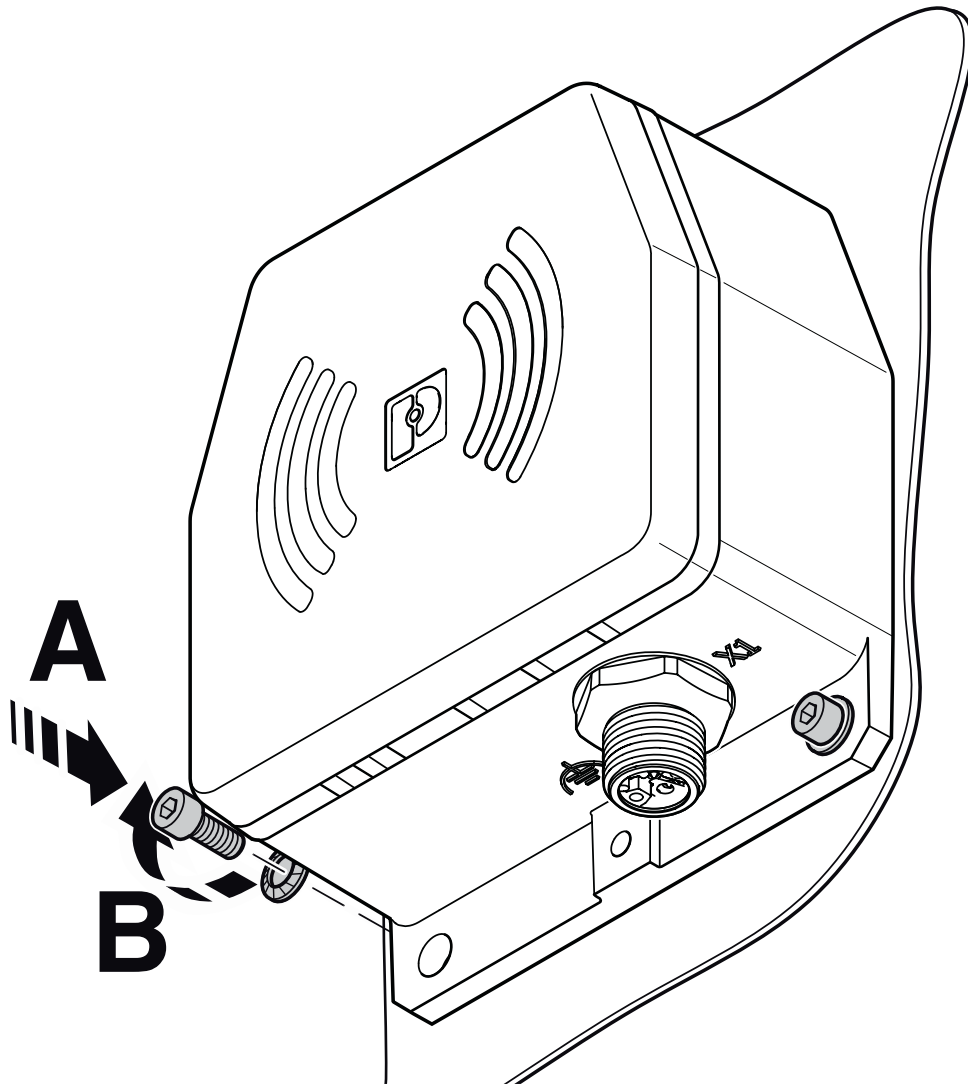
Inductive coupler - NEARFI P 2A R

1234229

<https://www.phoenixcontact.com/pc/products/1234229>

Drawings

Schematic diagram



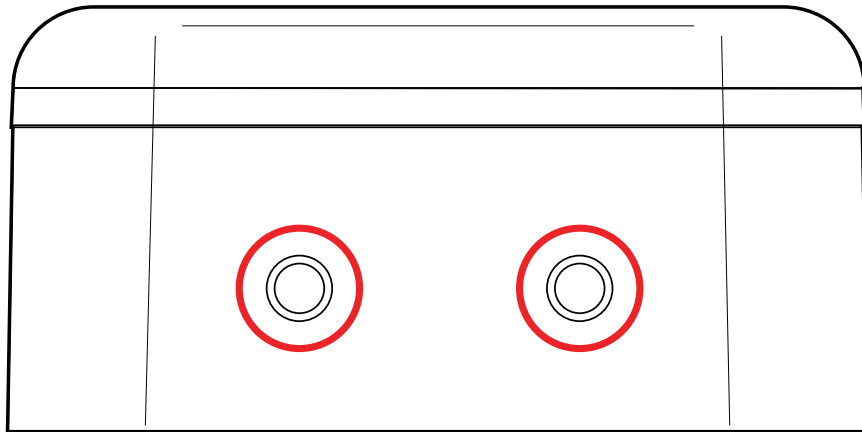
Mounting with two screws

Inductive coupler - NEARFI P 2A R

1234229

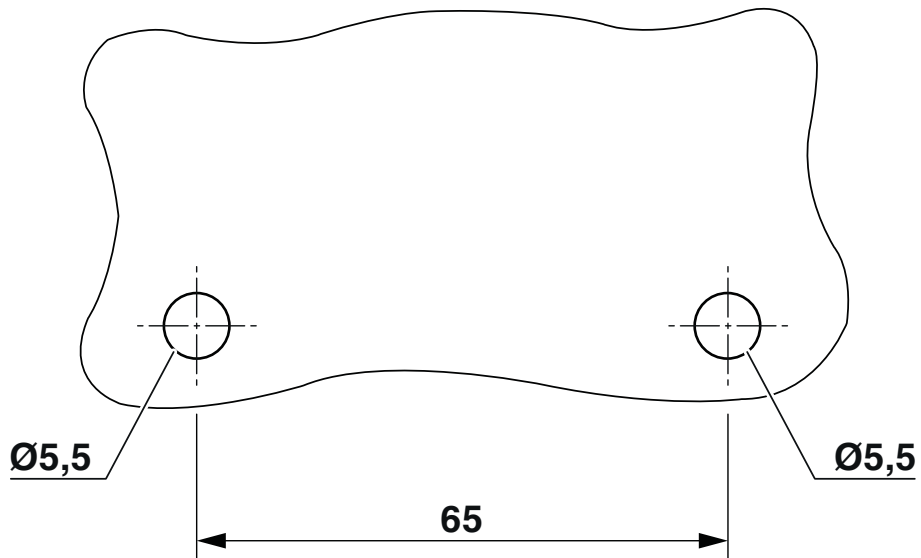
<https://www.phoenixcontact.com/pc/products/1234229>

Schematic diagram



Mounting option

Drilling plan/solder pad geometry



Drilling diagram

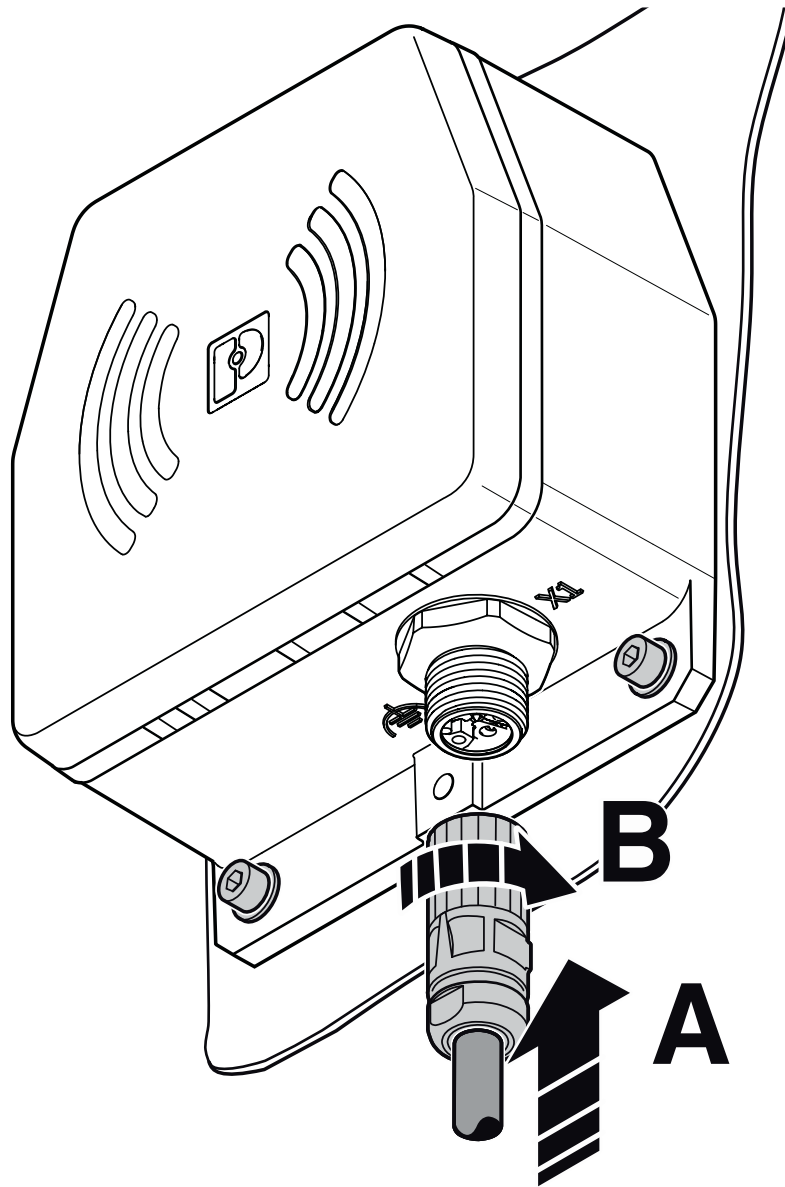
Inductive coupler - NEARFI P 2A R

1234229

<https://www.phoenixcontact.com/pc/products/1234229>



Schematic diagram



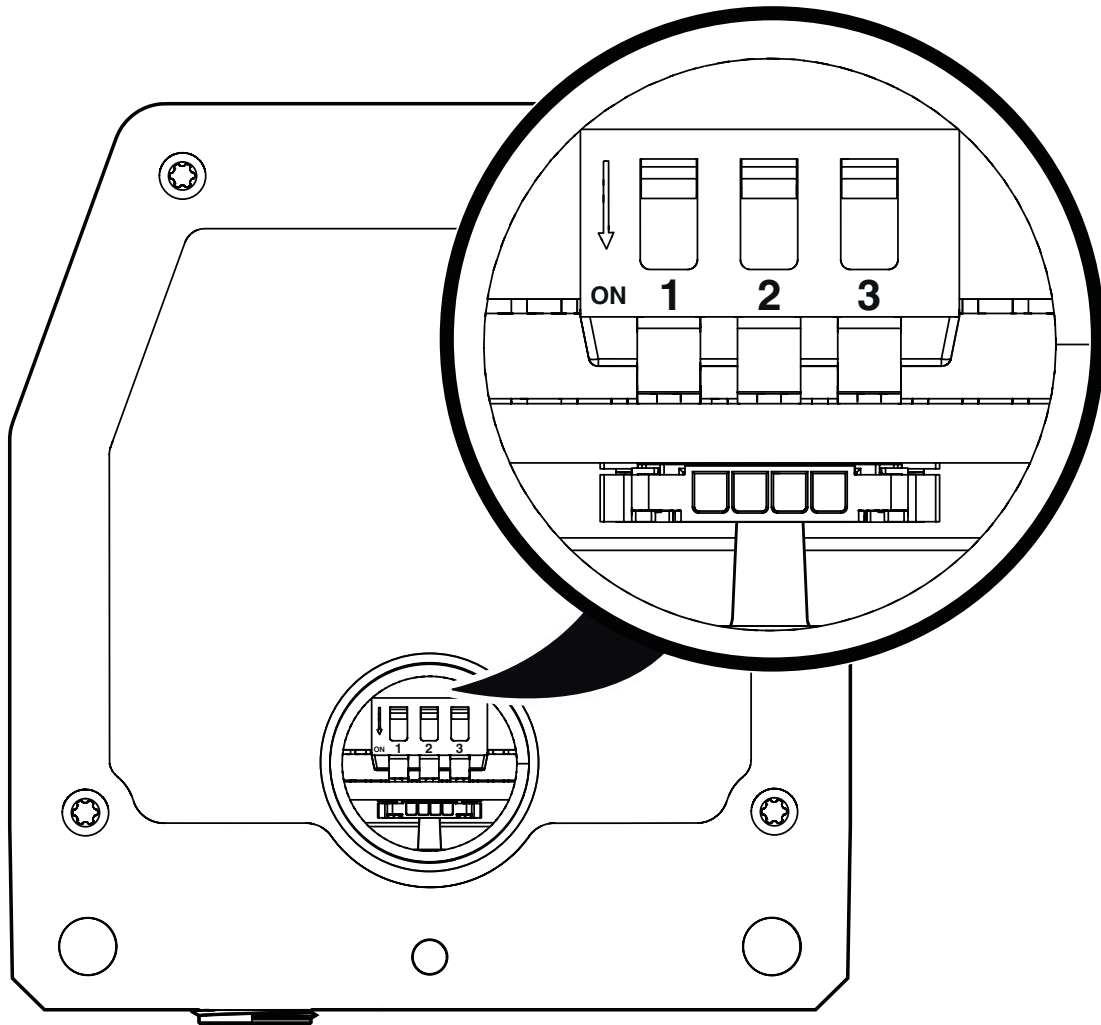
Connecting the cables

Inductive coupler - NEARFI P 2A R

1234229

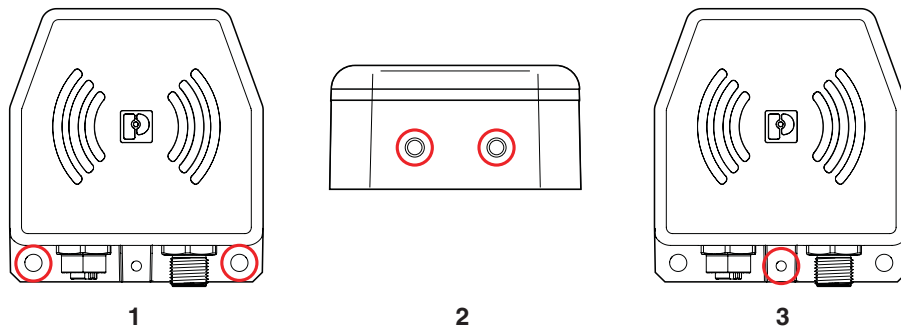
<https://www.phoenixcontact.com/pc/products/1234229>

Schematic diagram



DIP switches

Schematic diagram



Options for functional grounding

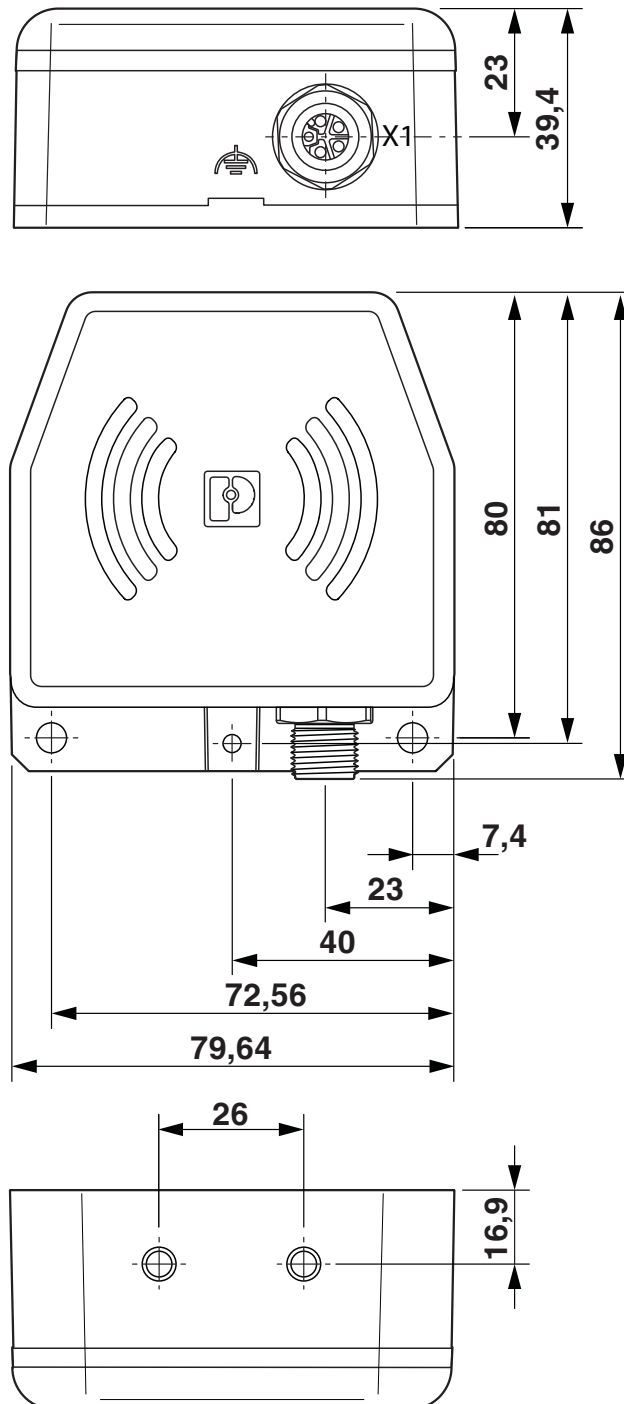
Inductive coupler - NEARFI P 2A R

1234229

<https://www.phoenixcontact.com/pc/products/1234229>



Dimensional drawing



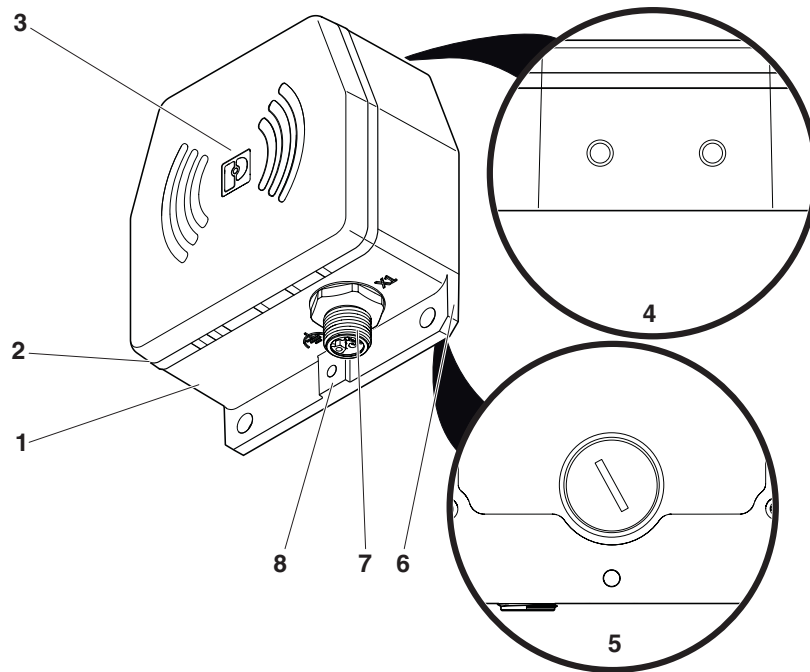
Dimensional drawing

Inductive coupler - NEARFI P 2A R

1234229

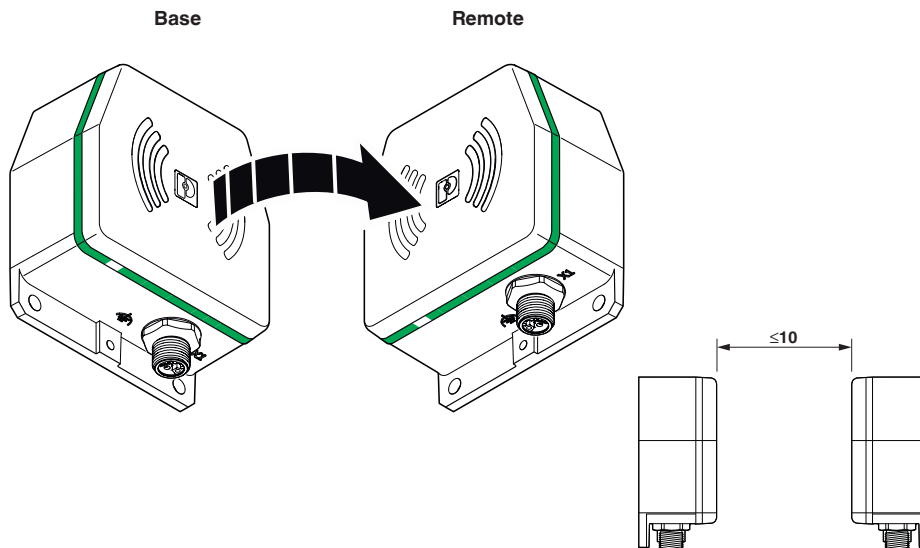
<https://www.phoenixcontact.com/pc/products/1234229>

Schematic diagram



Function elements

Schematic diagram



Method of operation

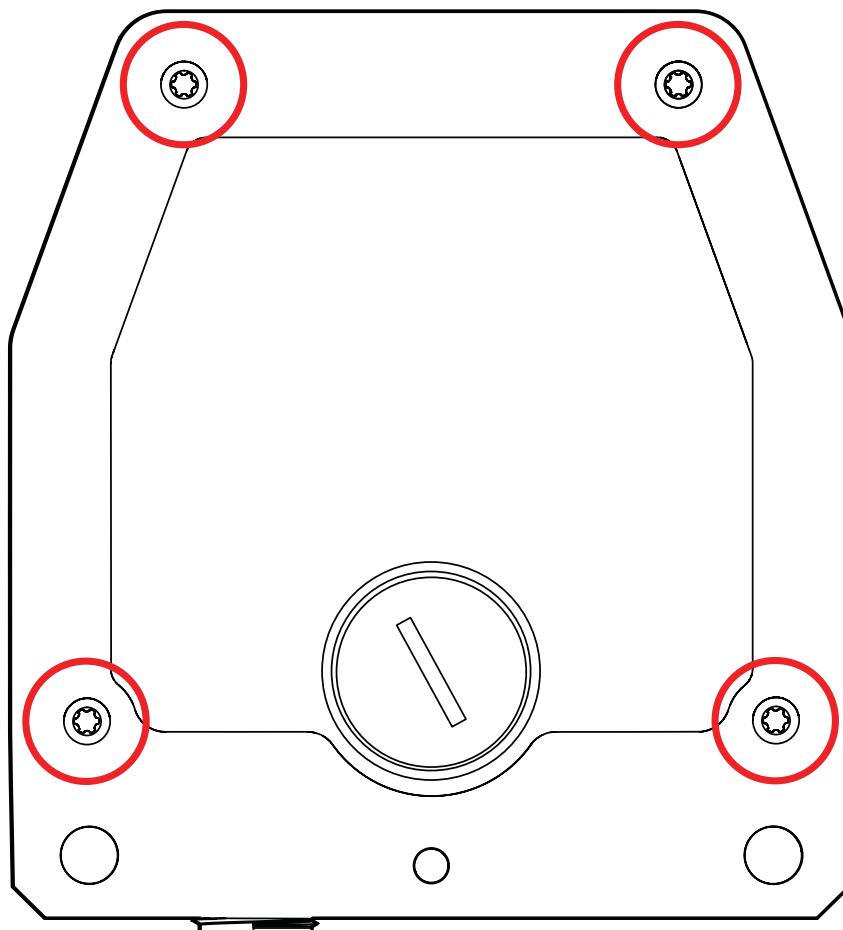
Inductive coupler - NEARFI P 2A R

1234229

<https://www.phoenixcontact.com/pc/products/1234229>



Schematic diagram



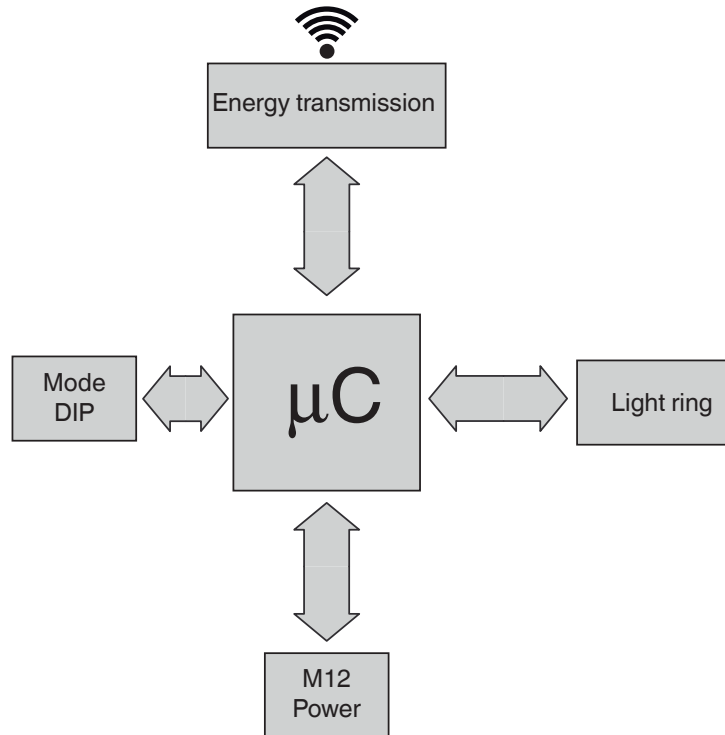
Mounting with four screws

Inductive coupler - NEARFI P 2A R

1234229

<https://www.phoenixcontact.com/pc/products/1234229>

Block diagram



Basic circuit diagram

Inductive coupler - NEARFI P 2A R



1234229

<https://www.phoenixcontact.com/pc/products/1234229>

Approvals



UL Listed

Approval ID: FILE E 238705



cUL Listed

Approval ID: FILE E 238705

cULus Listed

Inductive coupler - NEARFI P 2A R



1234229

<https://www.phoenixcontact.com/pc/products/1234229>

Classifications

ECLASS

ECLASS-9.0	27040701
ECLASS-10.0.1	27040701
ECLASS-11.0	27040701

ETIM

ETIM 8.0	EC002540
----------	----------

UNSPSC

UNSPSC 21.0	39121000
-------------	----------

Inductive coupler - NEARFI P 2A R



1234229

<https://www.phoenixcontact.com/pc/products/1234229>

Environmental Product Compliance

China RoHS	Environmentally friendly use period: unlimited = EFUP-e
	No hazardous substances above threshold values

Inductive coupler - NEARFI P 2A R

1234229

<https://www.phoenixcontact.com/pc/products/1234229>

Mandatory Accessories

Inductive coupler

Inductive coupler - NEARFI P 2A B - 1234226

<https://www.phoenixcontact.com/pc/products/1234226>



NearFi, base coupler for contactless power transmission in the centimeter range, 24 V DC, 2 A, M12 connection technology, IP65 type of protection. A remote coupler is required for operation.

Accessories

Sensor/actuator cable

Sensor/actuator cable - SAC-5P-MS/ 2,0-186 SCO - 1518326

<https://www.phoenixcontact.com/pc/products/1518326>



Sensor/actuator cable, 5-position, PUR, black-gray RAL 7021, Plug straight M12 SPEEDCON, coding: A, on free cable end, cable length: 2 m

Inductive coupler - NEARFI P 2A R

1234229

<https://www.phoenixcontact.com/pc/products/1234229>

Sensor/actuator cable

Sensor/actuator cable - SAC-5P-MS/ 5,0-186 SCO - 1518339

<https://www.phoenixcontact.com/pc/products/1518339>

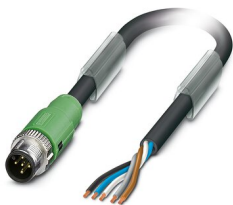


Sensor/actuator cable, 5-position, PUR, black-gray RAL 7021, Plug straight M12 SPEEDCON, coding: A, on free cable end, cable length: 5 m

Sensor/actuator cable

Sensor/actuator cable - SAC-5P-MS/10,0-186 SCO - 1518342

<https://www.phoenixcontact.com/pc/products/1518342>



Sensor/actuator cable, 5-position, PUR, black-gray RAL 7021, Plug straight M12 SPEEDCON, coding: A, on free cable end, cable length: 10 m

Inductive coupler - NEARFI P 2A R

1234229

<https://www.phoenixcontact.com/pc/products/1234229>



Sensor/actuator cable

Sensor/actuator cable - SAC-5P-MS/15,0-186 SCO - 1518355

<https://www.phoenixcontact.com/pc/products/1518355>



Sensor/actuator cable, 5-position, PUR, black-gray RAL 7021, Plug straight M12 SPEEDCON, coding: A, on free cable end, cable length: 15 m

Sensor/actuator cable

Sensor/actuator cable - SAC-5P-MS/ 1,0-186/FS SCO - 1518423

<https://www.phoenixcontact.com/pc/products/1518423>



Sensor/actuator cable, 5-position, PUR, black-gray RAL 7021, Plug straight M12 SPEEDCON, coding: A, on Socket straight M12 SPEEDCON, coding: A, cable length: 1 m

Inductive coupler - NEARFI P 2A R

1234229

<https://www.phoenixcontact.com/pc/products/1234229>



Sensor/actuator cable

Sensor/actuator cable - SAC-5P-MS/ 2,0-186/FS SCO - 1518436

<https://www.phoenixcontact.com/pc/products/1518436>



Sensor/actuator cable, 5-position, PUR, black-gray RAL 7021, Plug straight M12 SPEEDCON, coding: A, on Socket straight M12 SPEEDCON, coding: A, cable length: 2 m

Connector

Connector - SACC-M12MS-5CON-PG 9-M - 1681460

<https://www.phoenixcontact.com/pc/products/1681460>



Connector, Universal, 5-position, Plug straight M12, Coding: A, Screw connection, knurl material: Zinc die-cast, nickel-plated, cable gland Pg9, external cable diameter 6 mm ... 8 mm

Inductive coupler - NEARFI P 2A R

1234229

<https://www.phoenixcontact.com/pc/products/1234229>

Connector

Connector - SACC-M12MR-5CON-PG9-M - 1681473

<https://www.phoenixcontact.com/pc/products/1681473>



Connector, Universal, 5-position, Plug angled M12, Coding: A, Screw connection, knurl material: Zinc die-cast, nickel-plated, cable gland Pg9, external cable diameter 6 mm ... 8 mm

Screw plug

Screw plug - PROT-M12 - 1680539

<https://www.phoenixcontact.com/pc/products/1680539>



An M12 screw plug for the unoccupied M12 sockets of the sensor/actuator cable, boxes and flush-type connectors

Phoenix Contact 2022 © - all rights reserved
<https://www.phoenixcontact.com>

PHOENIX CONTACT GmbH & Co. KG
Flachsmarktstraße 8
D-32825 Blomberg
+49 (0) 5235-3 00
info@phoenixcontact.com