

Part no.: 20860-111

Features:

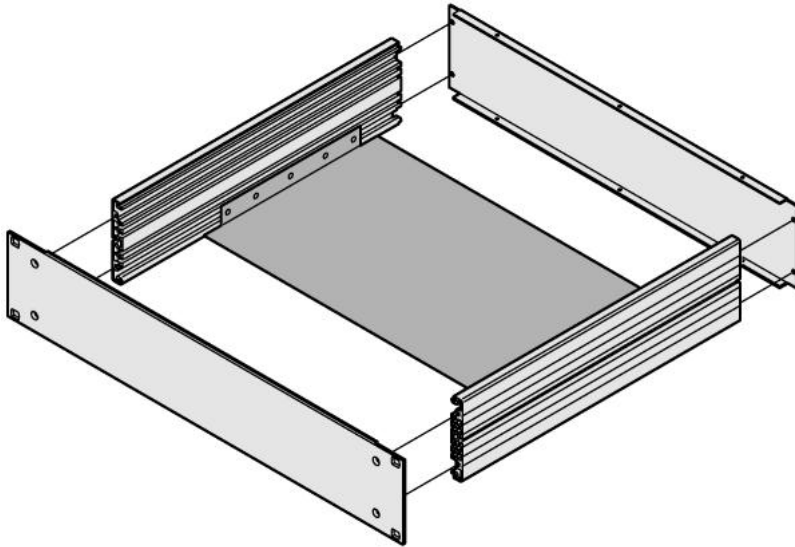
- Mounting plates are designed for the mounting of heavy components, e.g. transformers
- Bolted laterally inside on a 19" chassis



Technical information:

Depth

390 mm



Delivery comprises:

Item	Qty	Description
1	1	Mounting plate, Al, 2 mm
2	4	Threaded insert M3, St, 2 mm, zinc-plated
3	1	Assembly kit

Note:

- Where a mounting plate is used the clear mounting height is reduced by at least 2.5 mm
- Mounting plates can also be fitted at the same time as the internal mounting for euroboards