

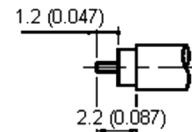
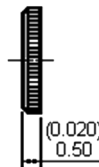
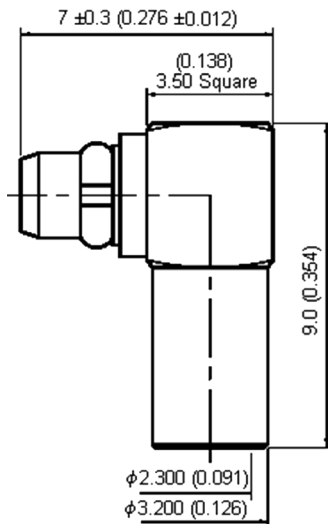
MMCX Right Angle Plug

multicomp PRO



Specifications:

Connector Type	: MMCX Coaxial
Body Style	: Right Angle Plug
Coaxial Termination	: Solder
Impedance	: 50Ω
Contact Material	: Beryllium Copper
Contact Plating	: Gold
Frequency Max	: 6GHz
Connector Mounting	: Cable
Body Plating	: Gold
Insulator Material	: PTFE
Material	: Brass
VSWR	: 1.3
Connector interface per BS EN 122340.	
Part to be clean and free of burrs.	



Stripping Dimension

Dimensions : Millimetres (Inches)

Number	Description	Material	Finish
1	Washer	Beryllium Copper	Gold 3μ" Min.
2	Insulation	PTFE	None
3	Centre Contact	Brass	Gold 30μ" Min.
4	Body I		Gold 3μ" Min.
5	Body II		
6	Cap		

Part Number Table

Description	Part Number
Plug, MMCX, Right Angle, RG405	37-02V-2-TGG

Important Notice : This data sheet and its contents (the "Information") belong to the members of the AVNET group of companies (the "Group") or are licensed to it. No licence is granted for the use of it other than for information purposes in connection with the products to which it relates. No licence of any intellectual property rights is granted. The Information is subject to change without notice and replaces all data sheets previously supplied. The Information supplied is believed to be accurate but the Group assumes no responsibility for its accuracy or completeness, any error in or omission from it or for any use made of it. Users of this data sheet should check for themselves the Information and the suitability of the products for their purpose and not make any assumptions based on information included or omitted. Liability for loss or damage resulting from any reliance on the Information or use of it (including liability resulting from negligence or where the Group was aware of the possibility of such loss or damage arising) is excluded. This will not operate to limit or restrict the Group's liability for death or personal injury resulting from its negligence. Multicomp Pro is the registered trademark of Premier Farnell Limited 2019.

Newark.com/multicomp-pro
 Farnell.com/multicomp-pro
 Element14.com/multicomp-pro

multicomp PRO