



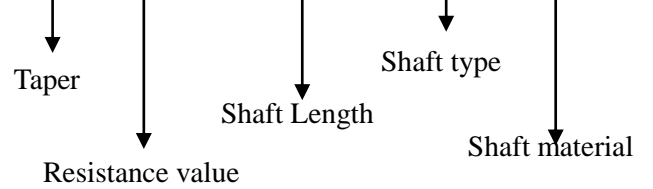
Standard Type Metal and Plastic Shaft Slide Potentiometers



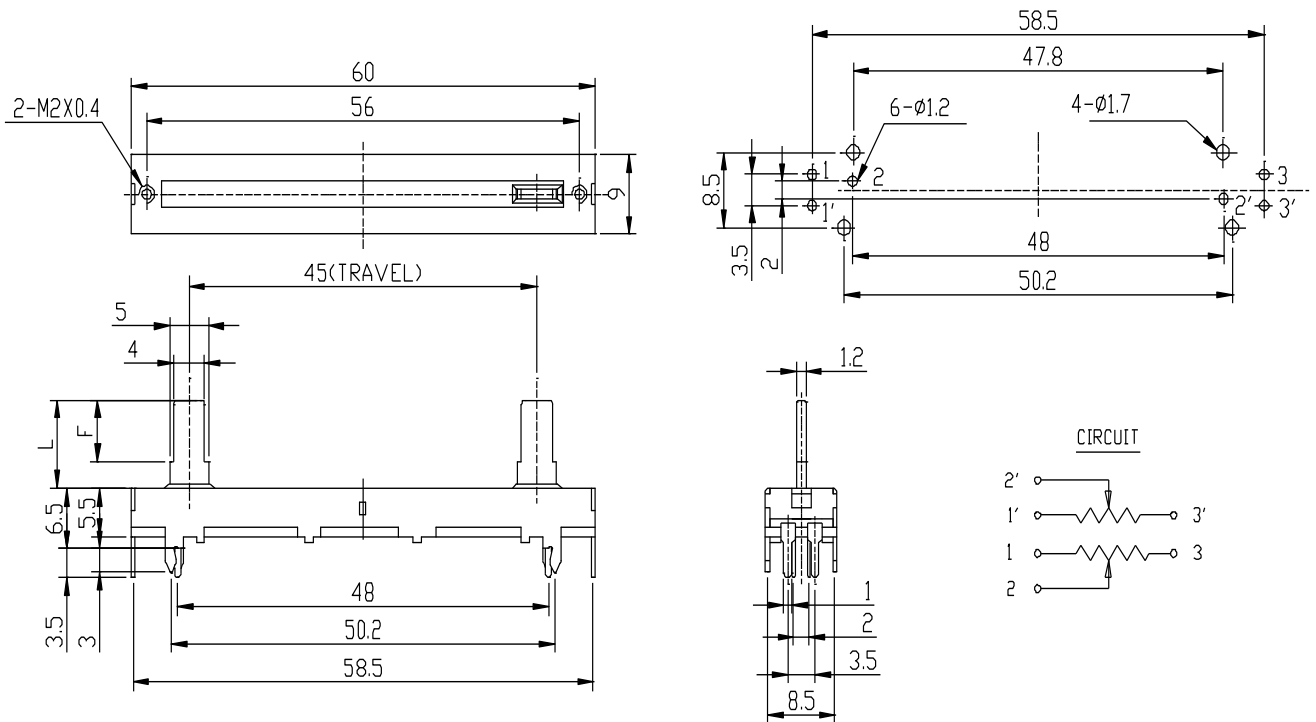
SL4515G

Part Number

SL4515G - B 50K , L - 15 C / M



Dimensions





Standard Type Metal and Plastic Shaft Slide Potentiometers

Shaft Type

Insulated Lever

MATERIAL	INSULATED LEVER													
LEVER TYPE	C-TYPE							CA-TYPE						
DIMENSIONS														
LENGTH(L)	L	5	10	12.5	15	18	20	L	5	10				
	F	5	5	5	5	5	5							

Metal Lever

MATERIAL	METAL LEVER																			
LEVER TYPE	A-TYPE				D-TYPE				C-TYPE				B-TYPE							
DIMENSIONS																				
LENGTH(L)	L	10.4			L	10	15	20	25	L	10	15	20	25	17.3	L	10	15		
	F	7			F	7	10	10	10	F	7	10	10	10	10					

**Standard Type Metal and Plastic Shaft Slide Potentiometers****General**

Operating temperature	-10 °C ~ +70 °C
Manual soldering	300 °C Max 3sec

Electrical Characteristics

Total resistance	5K Ω ~ 1M Ω
Resistance tolerance	$\pm 20\%$ (More than 1M Ω $\pm 30\%$)
Resistance taper	A B C W
Sliding noise	Less than 100 mV
Residual resistance	Less than 20 Ω
Rated power(W)	B taper : 0.1 W Others : 0.05 W
Max. operating voltage	B taper : AC 100 V Others : AC 50 V
Insulation resistance	More than 100 M Ω at DC 250 V
Withstand voltage	1 Minute at AC 300 V
Gang error	-40dB ~ 0dB \leq 3dB

Mechanical Characteristics

Lever Travel	45 mm \pm 0.5 mm
Operating Force	30 ~ 200 g f .c m
Lever Stopper Strength	5 Kgf.cm Max
Shaft push-pull Strength	3 Kgf.cm Max
Rotational life	15,000 Cycles