

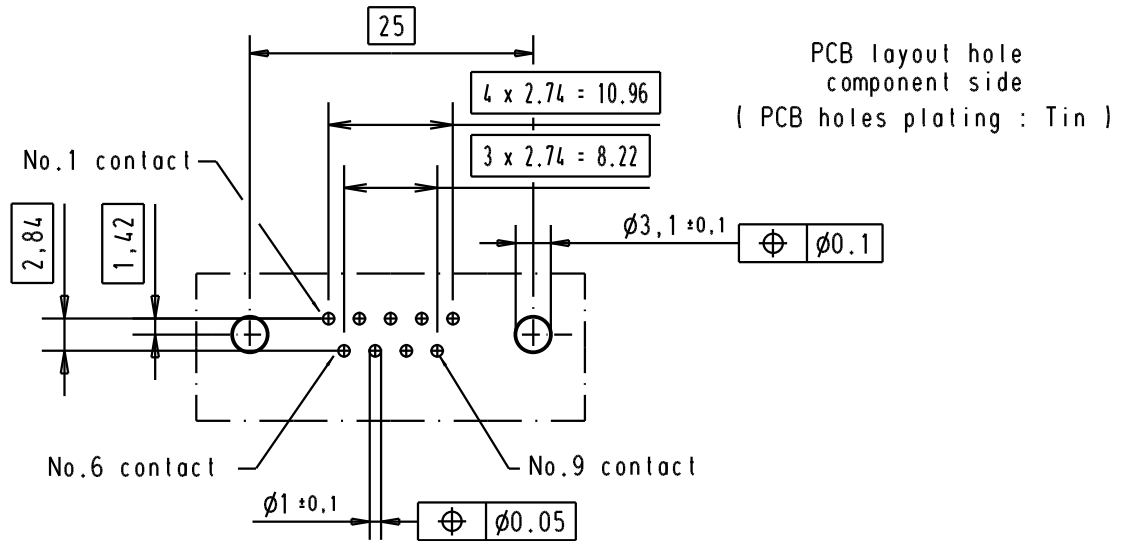
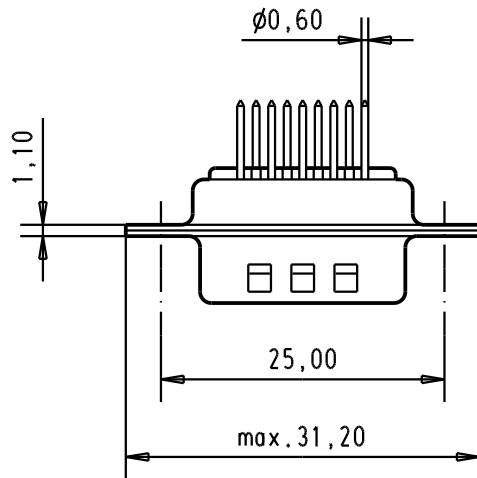
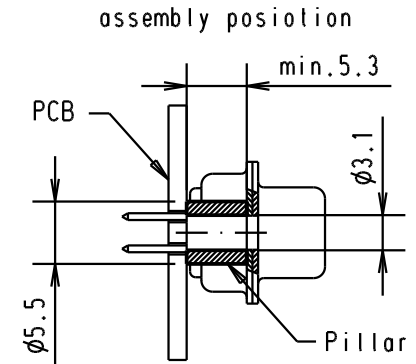
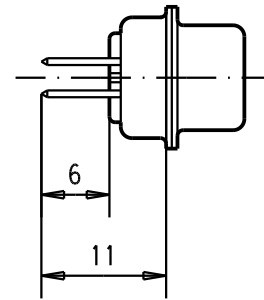
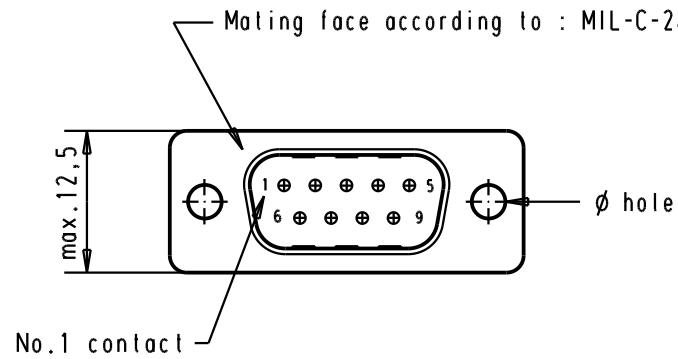
5

4

3

2

1

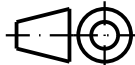



D

C

B

A

						Det.	Name	 All Dim. in mm Orig. Size DIN A 4	D-Sub, Male, Straight 09 Poles with turned solder contacts and hole	Moßstab/ Scale
						07/feb/01	jfb			1.5:1
09 67 009 5656	3.1 ± 0.1	1				Insp.				
09 67 009 5655	3.1 ± 0.1	2	32991	01/09/05	JMDR	Stand.				
09 67 009 5654	3.1 ± 0.1	3	27993	04/04/01	AF					
			27974	07/feb/01	jfb	HARTING EURL F-95972 Paris		TB 0967009565x	Blatt/ Page	
Part number	ø hole	Performance level	Mod.	Det.	Name				1/2	

Sub.