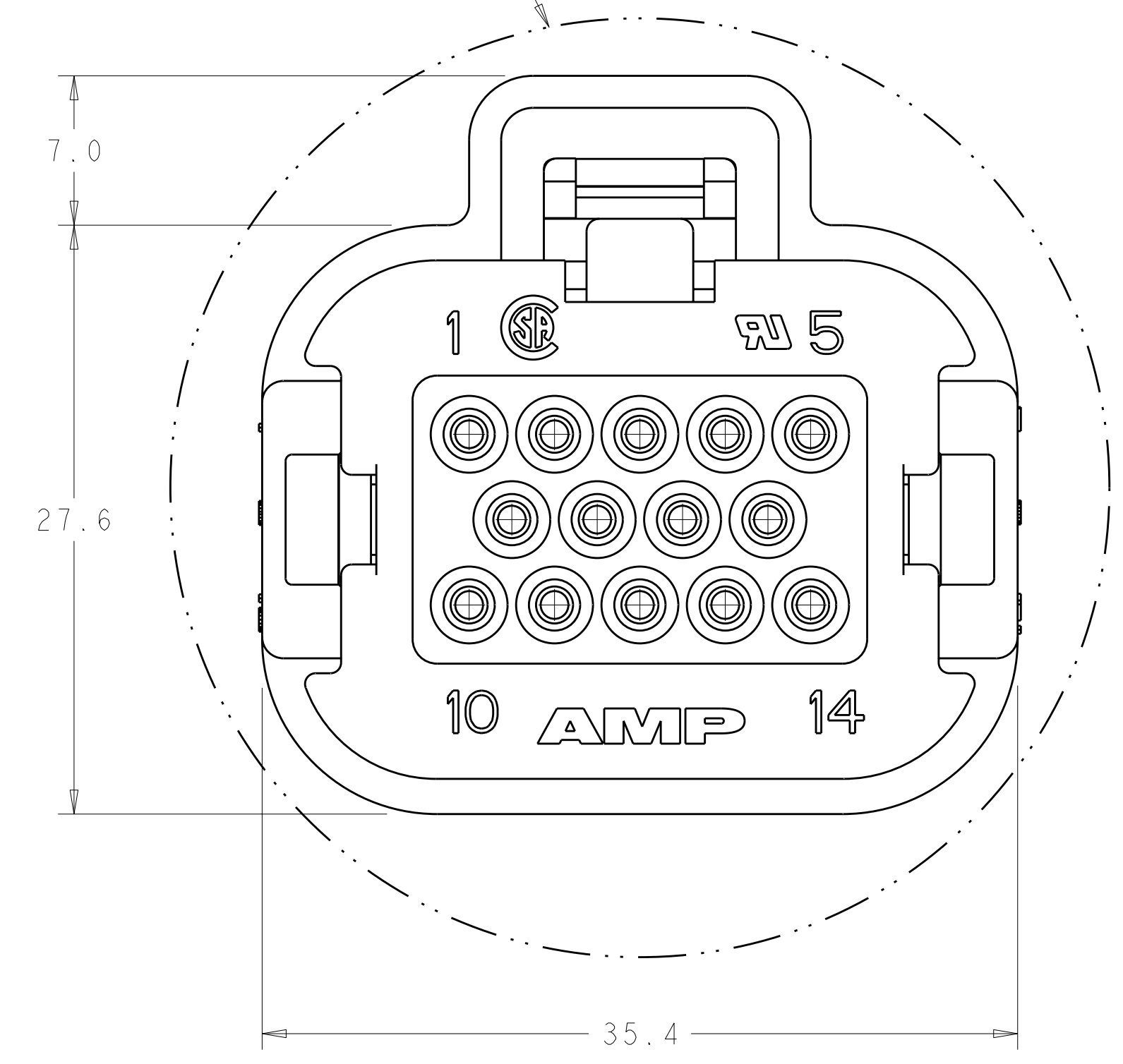
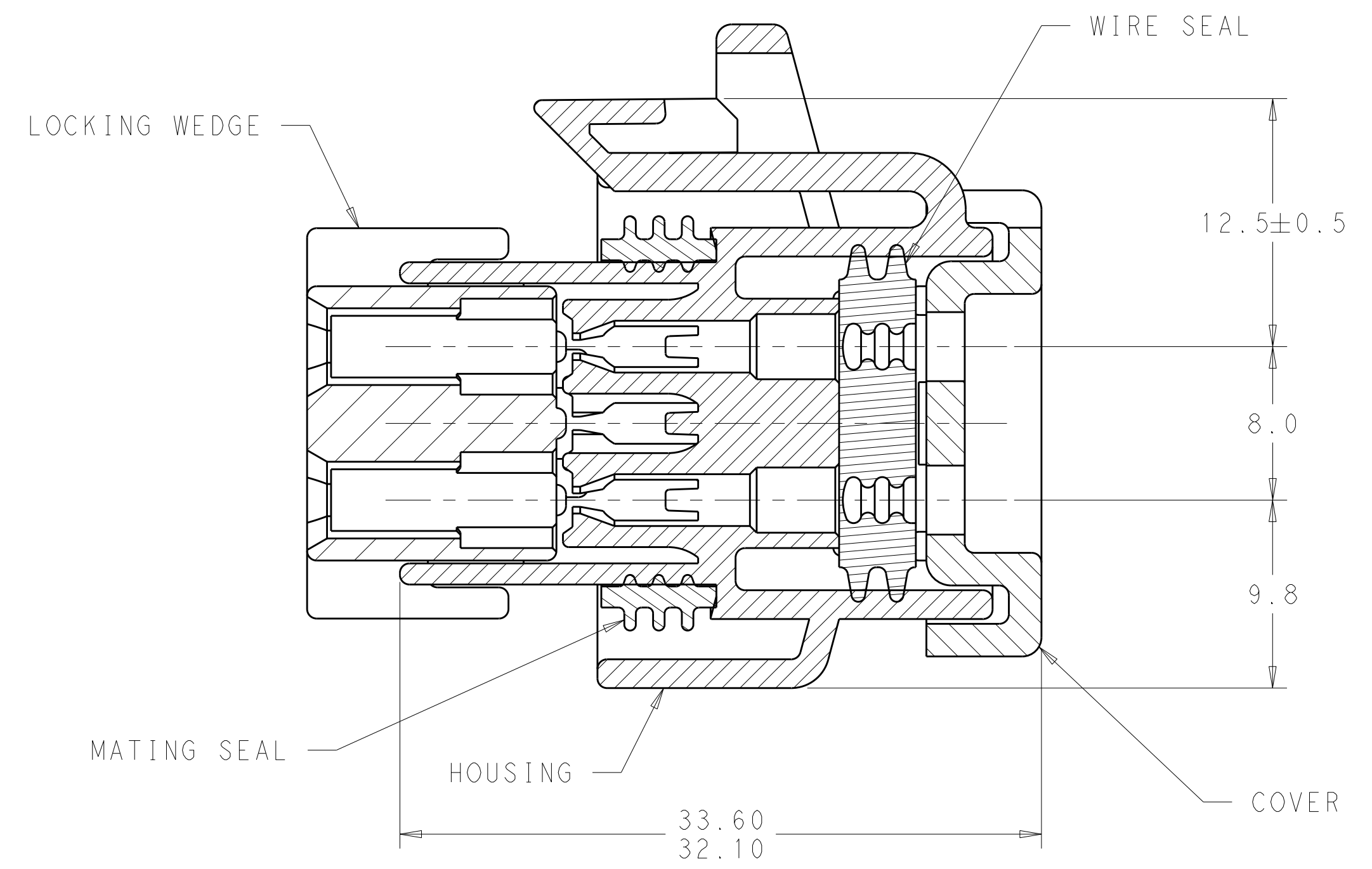
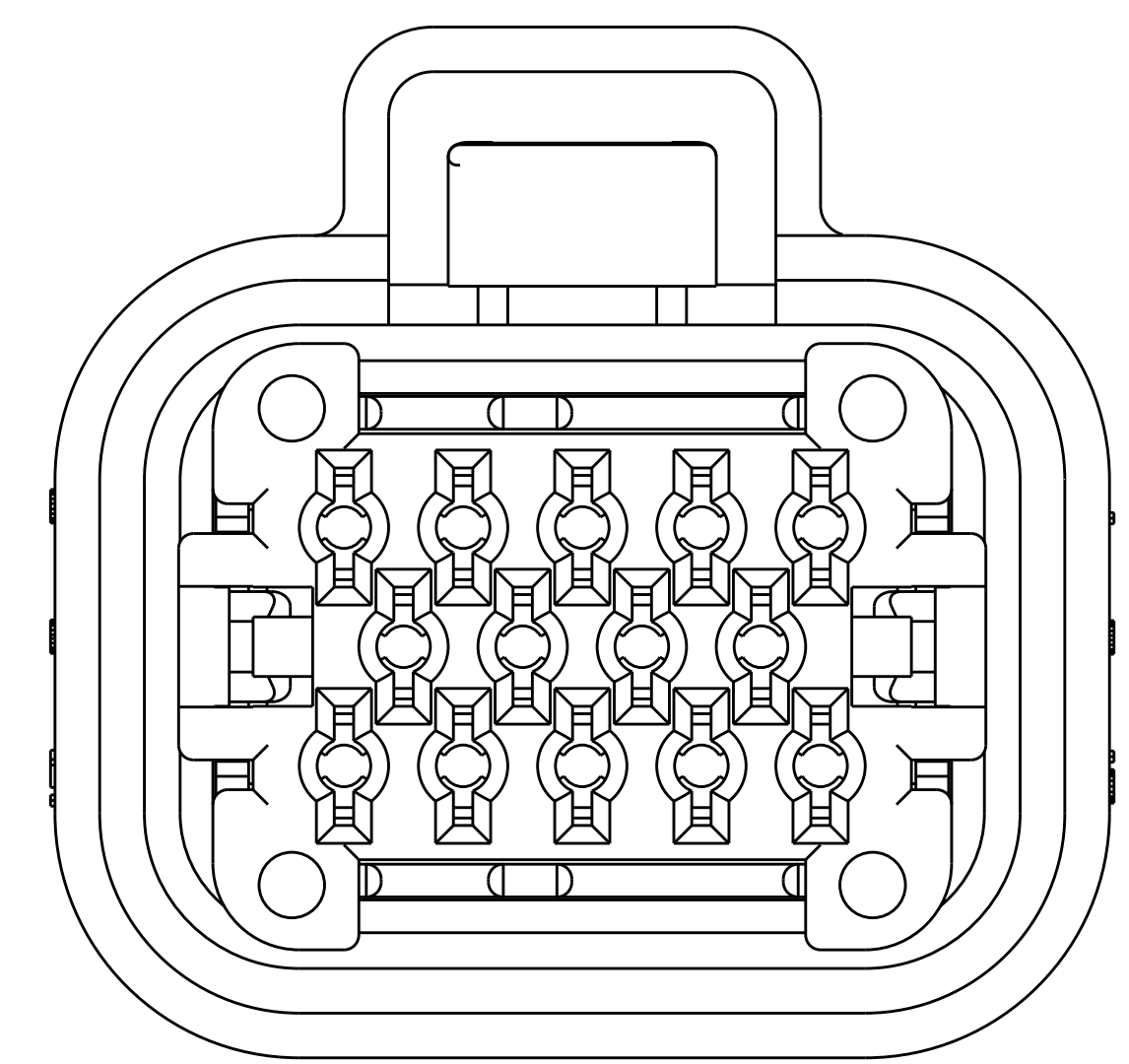


LOC	DIST	REVISIONS			
HK	00	REV	DATE	BY	APPD
		F1	11MAR2011	RK	HMR

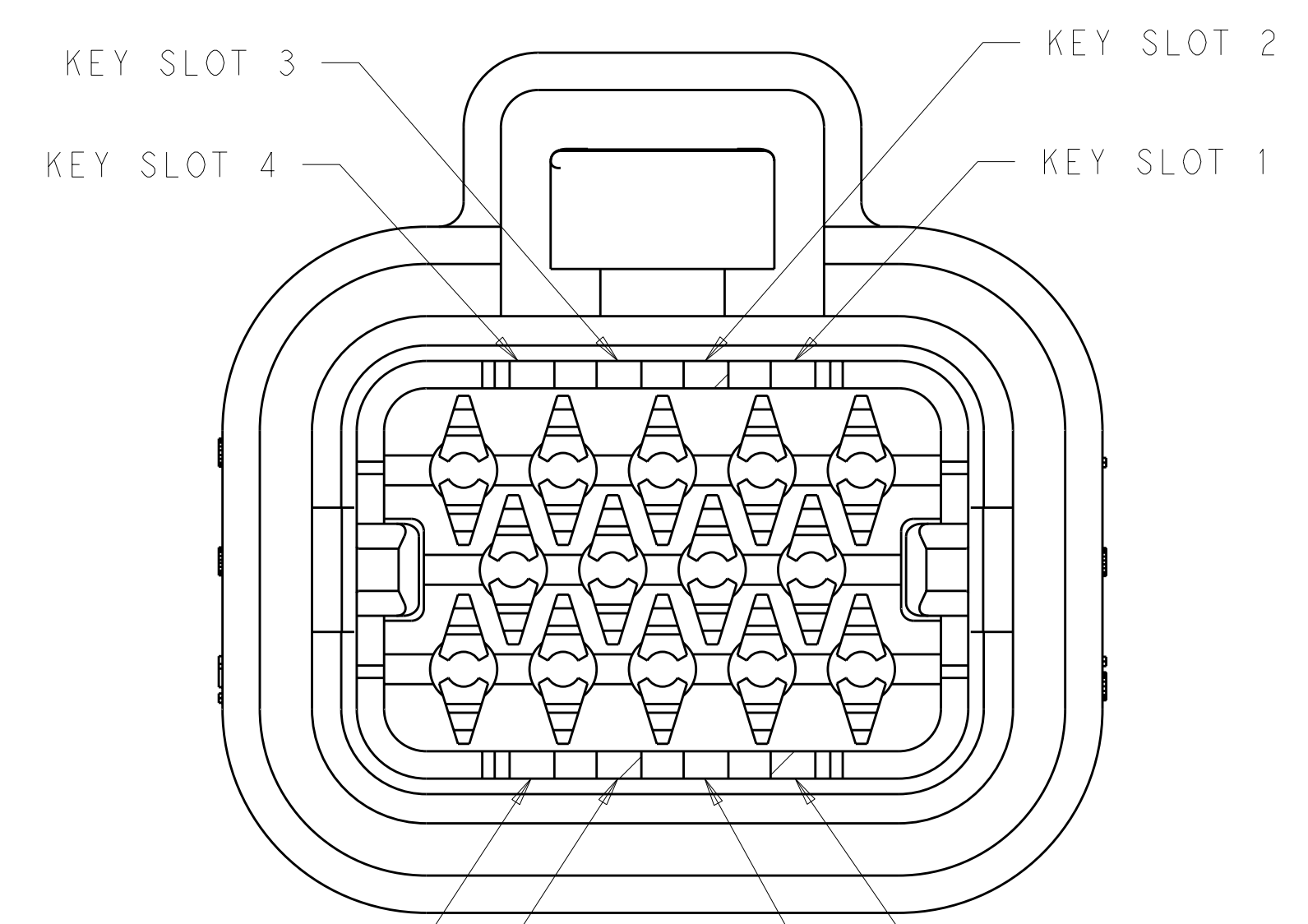
ASSEMBLY WILL PASS THRU Ø44 OPENING



⚠ HOUSING COLORS ARE MECHANICALLY KEyed TO MATE WITH IDENTICALLY COLORED HEADER ASSEMBLIES.



BOTTOM VIEW WITH LOCKING WEDGE



KEY SLOT LOCATIONS

KEY SLOT LOCATION (SEE VIEW ABOVE)	PART NUMBER
3 & 5	776273-5
2 & 8	776273-4
1 & 6	776273-2
3 & 7	776273-1

GLASS FILLED PBT, BLACK	SILICONE RUBBER, GREEN	SILICONE RUBBER, GREEN	PBT, RED	PBT, BLUE	776273-5
				PBT, GRAY	776273-4
				PBT, NATURAL	776273-2
				PBT, BLACK	776273-1
COVER	WIRE SEAL	MATING SEAL	LOCKING WEDGE	HOUSING	PART NUMBER

THIS DRAWING IS A CONTROLLED DOCUMENT.

DIMENSIONS: mm  
 TOLERANCES UNLESS OTHERWISE SPECIFIED:  
 9 PLC ±  
 1 PLC ±0.2  
 2 PLC ±  
 3 PLC ±  
 4 PLC ±  
 ANGLES ±  
 FINISH ±

MATERIAL: SEE TABLE  
 FINISH: SEE TABLE

DWG: R. VESTAL 08SEP2009  
 CHK: D. STRAUSSER 08SEP2009  
 APVD: D. STRAUSSER 08SEP2009

NAME: **STE** TE Connectivity  
 PRODUCT SPEC: 108-1329  
 APPLICATION SPEC: 114-16016  
 WEIGHT: -  
 CUSTOMER DRAWING

PLUG ASSEMBLY, 14 POSITION, AMPSEAL

SIZE: A100779  
 CAGE CODE: C-776273  
 DRAWING NO: 776273

SCALE: 4:1  
 SHEET: 1 OF 1  
 REV: F1